

Arc Fault Contained Variable Speed Drive



Rockwell Automation Australia and New Zealand region

Safety Benefits

Arc faults can cause serious injury and potentially fatalities. Our specially designed enclosure now adds another layer of protection to personnel in the event of an arc fault.

Safety is our number one priority and so it is with our customers.

Increase the safety of your personnel by installing an Arc Fault contained PowerFlex 755 Variable Speed Drive from Rockwell Automation.

Think Safety.



Simplified Integration with Logix

The PowerFlex 750 offer seamless integration into the Logix environment for simplified and enhanced configuration, programming, diagnostics and maintenance.

Communications

The PowerFlex 750 series supports a comprehensive range of network protocols to ease integration into your architecture. The PowerFlex 755 features an embedded EtherNet/IP port, allowing you to easily manage drive data over EtherNet/IP networks.

Safe Torque-off and Safe Speed Monitor

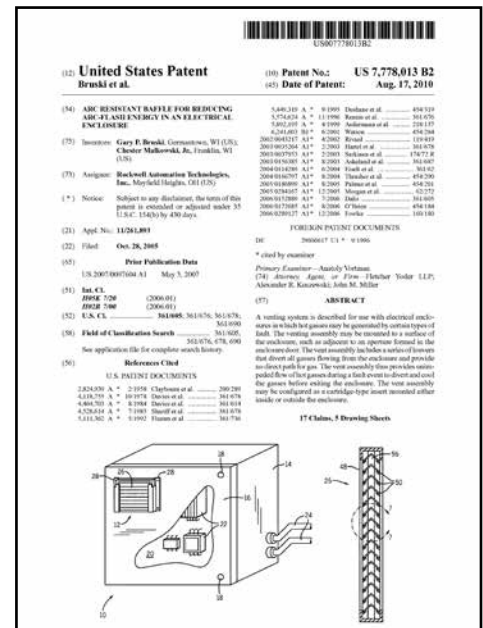
Help protect personnel and equipment while reducing machine downtime with safety solutions up to and including PLe/SIL, Cat 3 and Cat 4.



Why is it difficult for VSDs to be Arc fault contained?

Variable Speed Drives (VSDs) have been difficult to design to withstand arc faults due to critical failure points in vents and fans. Rockwell Automation has designed a patented arc baffle ventilation system which allows air to flow under normal operating conditions, but under an arcing fault, diverts all gases flowing from the enclosure and provide no direct path for gas.

The floor mounted VSDs including the arc baffle ventilation system has been successfully tested in accordance with IEC/TR 61641 Edition 3.0 and AS/NZS 3439.1 Annex ZD.



Enclosure	IP 54, Floor Mounted				
Temperature Range	0-40°C				
Voltage Range	380...400V AC				
Form of Separation	Form 4B, in accordance with AS/NZS 61439				
Cable Entry / Exit	Bottom / Bottom				
Normal Duty Rating at 400V	55kW	90kW	132kW	200kW	250kW
Heavy Duty Rating at 400V	45kW	75kW	110kW	160kW	200kW
Width	702mm	902mm	902mm	1002mm	1002mm
Depth	800mm	800mm	800mm	800mm	800mm
Height	2300mm	2300mm	2300mm	2300mm	2300mm

Standard Inclusions:

- Incoming Circuit breaker with shunt release and auxiliary contacts
- 24V DC Power Supply
- Door mounted Human Interface Module
- 24V DC I/O module
- 4mm Aluminium Gland Plate

Options:

- Line and Load Side Reactors¹

¹Line or Load Side Reactors increase the overall width on certain sizes.

Allen-Bradley, PowerFlex, and Rockwell Software are trademarks of Rockwell Automation, Inc. Trademarks not belonging to Rockwell Automation are property of their respective companies.

www.rockwelautomation.com/en_AU

www.rockwellautomation.com/en_NZ

Rockwell Automation Australia Ltd

Melbourne 841 Mountain Highway, Bayswater Vic 3153
 Sydney 32 Sirius Road, Lane Cove NSW 2066
 Brisbane Unit 4 / 8 Metroplex Avenue, Murarrie QLD 4172
 Adelaide Tenancy C14(A), 6 MAB Eastern Promenade, Tonsley SA 5042
 Perth 38 Belmont Avenue, Rivervale WA 6103

Tel: +61 3 9757 1111
 Tel: +61 2 9428 7222
 Tel: +61 7 3399 0100
 Tel: +61 8 8165 4000
 Tel: +61 8 9333 5800

Rockwell Automation (NZ) Ltd

Auckland 2B Pacific Rise, Mt Wellington, Auckland
 Christchurch 76 Victoria Street, Christchurch

Tel: +64 9 276 3070
 Tel: +64 3 365 9182