



550074B

ENCLOSED LOAD BREAK SWITCH IP65 POLYCARBONATE ENCLOSURE COMO

blue and red handle



PCE1
25A-40A (3-4P)

blue and red handle



PCE2
32A (6P)
40A (3-4P large)
63A-100A (3-4P)

blue and red handle



PCE3
63A (6P)
125A (3-4P)

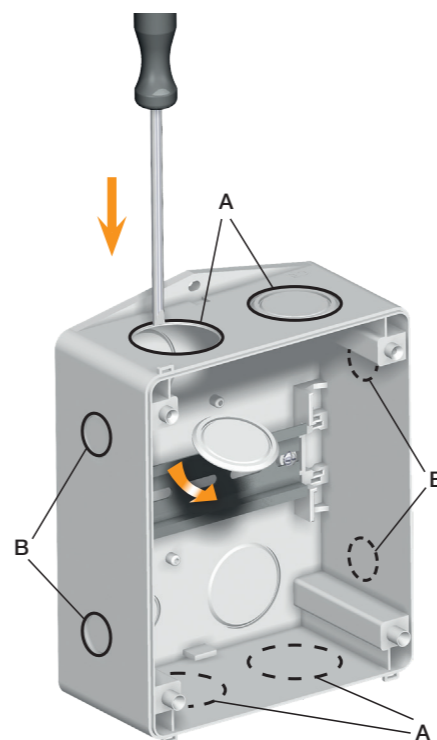
ⓘ OFF

When the switch is assembled, make sure it is centered on the handle.
The clip on the DIN rail is present to assist in the installation of the switch if necessary.

Pozidriv 2
Max. 1.5Nm

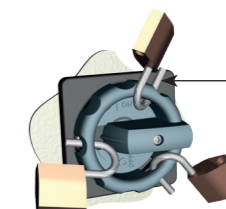
Flat

	A	B
Size 1	M25	M20
Size 2	M32/40	M20
Size 3	M50/63	M20



Do not drill the back of the enclosure.
Please use suitable glands with IP rating equals or exceeds IP65.

HANDLE PADLOCKING

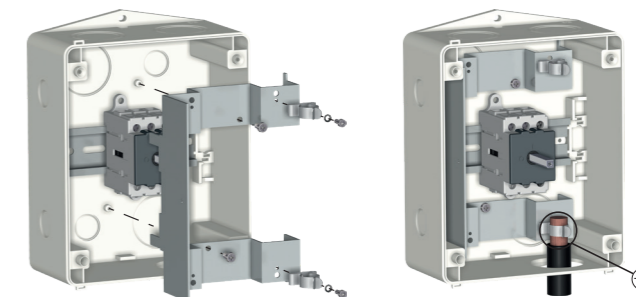


Up to 3 padlocks Ø 9 mm

CABLE CONNECTIONS

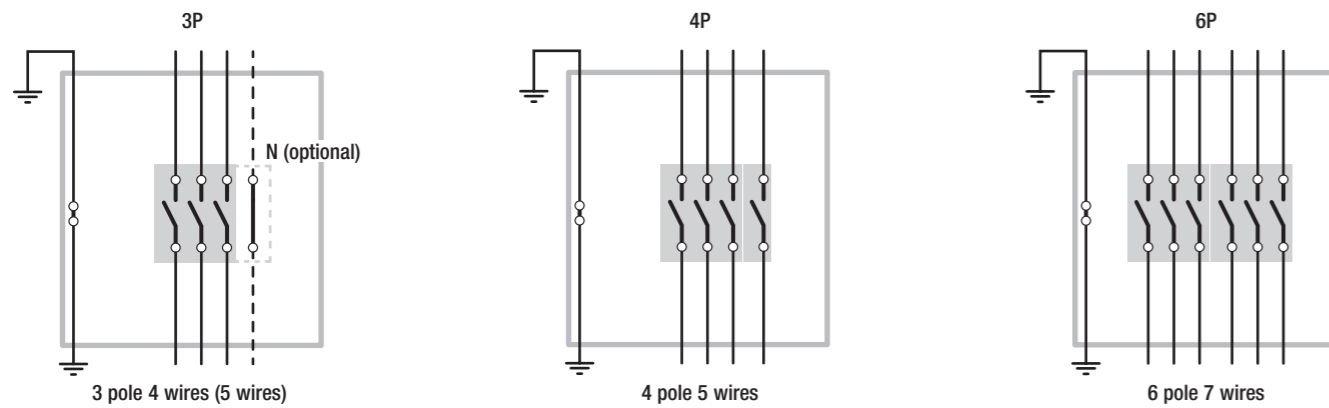
	25 A	32 A	40 A	63 A	80 A	100 A	125 A
Min. cable section Cu (mm ²)	2.5	2.5	2.5	2.5	2.5	4	4
Max. cable section Cu (mm ²)	10	10	10	16	25	35	50
Striping distance (mm)	8.0	8.0	8.0	13.5	13.5	13.5-15	13.5-15
Type of screwdriver	PZ2						
Tightening torque min (Nm)	2.5						
Tightening torque max (Nm)	3						

EMC PLATE ACCESSORY

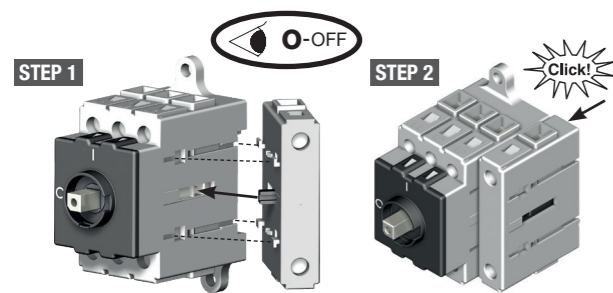


Product size	PCE1	PCE2	PCE3
EMC Shield reference	21NH0301	21NH0302	21NH0303
⊕ Ø	3 - 12 mm with insulation 7 - 113 mm ² with insulation / 12 - 35 mm ² without insulation		
⚙	PH0 0,2 Nm		

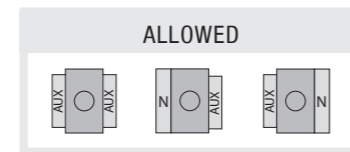
ELECTRICAL CONNECTION - No phase cable order



ADDITIONAL SOLID NEUTRAL POLE & AUXILIARY CONTACT



Configurations

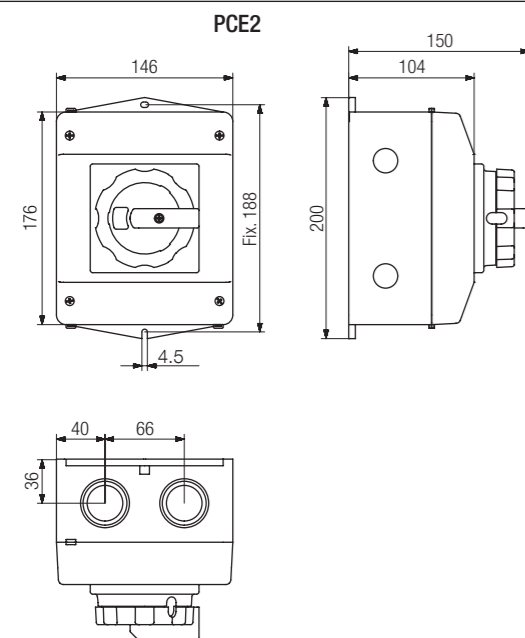
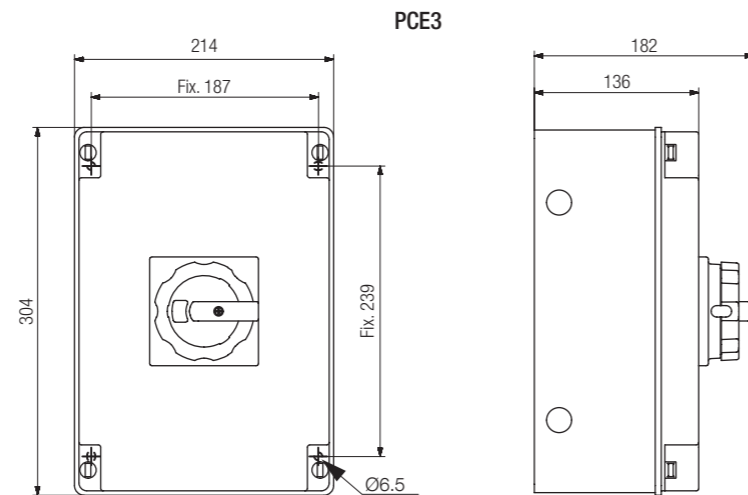
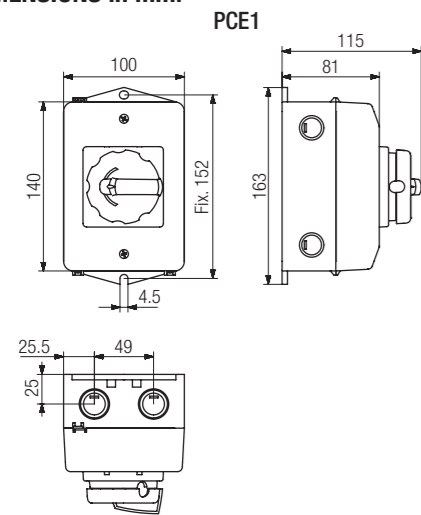


Connection for auxiliary contact

Min. cable section Cu (mm ²)	0.75
Max. cable section Cu (mm ²)	2.5
Striping distance (mm)	8.0
Type of screwdriver	PZ2
Tightening torque min (Nm)	0.8
Tightening torque max (Nm)	1.2

! Removal of auxiliary contact may permanently damage the attachment preventing reassembly.

DIMENSIONS in mm.



PCE CHARACTERISTICS ACCORDING TO IEC 60947-3

Thermal current at 40°C	25 A	32 A	40 A	63 A	80 A	100 A	125 A
Rated insulation voltage U _i (V)	690	690	690	690	690	690	690
Rated impulse withstand voltage U _{imp} (kV)	6	6	6	6	6	6	6

Rated current I_n

Rated voltage	Utilisation category	25 A	32 A	40 A	63 A	80 A	100 A	125 A
415 VAC	AC-21A	25	32	40	63	80	100	125
415 VAC	AC-22A	25	32	40	63	80	100	125
415 VAC	AC-23A	20	22	40	44	53	70	84
415 VAC	AC-3A	16	20	22	36	43	53	70
690 VAC	AC-21A	25	32	40	63	80	100	125
690 VAC	AC-23A	12	13	18	22	23.5	34	41
690 VAC	AC-3A	9.5	11.5	13	17.5	22	25.5	35

Operational power in AC-23 (kW)

415 VAC	9.5	11.5	20	22	30	37	45
690 VAC	12	13	18	22	25.5	34	41

Operational power in AC-3 (kW)

415 VAC	16	20	22	36	43	53	70
690 VAC	9.5	11.5	13	17.5	22	25.5	35

Fuse protected short-circuit withstand (kA rms prospective) at 415 VAC

Prospective short-circuit current (kA rms)	6	6	6	6	10	20	20
Associated fuse rating (A)	25	32	40	63	80	100	125

Circuit breaker protected short-circuit withstand with any breaker that ensures tripping in less than 0.3s

Rated short-time withstand current 0.3s I _{sw} (kA rms)	0.68	1.28	1.28	2.52	2.52	4	4
--	------	------	------	------	------	---	---

Short-circuit capacity (without protection)

Rated short-time withstand current 1s I _{sw} (kA rms)	0.34	0.64	0.64	1.26	1.26	2	2
--	------	------	------	------	------	---	---

Connection

Minimum Cu cable cross-section (mm ²)	2.5	2.5	2.5	2.5	2.5	4	4
Maximum Cu cable cross-section (mm ²)	10	10	10	16	25	35	50
Tightening torque min/max (Nm)	2.5/3	2.5/3	2.5/3	2.5/3	2.5/3	2.5/3	2.5/3

Mechanical characteristics

Durability (number of operating cycle)	100 000	100 000	100 000	100 000	100 000	100 000	100 000
Operating effort - 3 pole device (Nm)	1	1	1	1	1.5	1.5	1.5
Operating effort - 4 pole device (Nm)	1	1	1	1	1.5	1.5	1.5
Weight of a 3 P enclosure (kg)	0.386	0.386	0.386	0.579	0.717	0.766	1.62
Weight of a 4 P enclosure (kg)	0.42	0.42	0.42	0.619	0.806	0.833	1.709
Weight of a 6 P enclosure (kg)	-	0.812	-	1.544	-	-	-
Weight of a 8 P enclosure (kg)	-	0.912	-	1.613	-	-	-

Degree of protection

IP rating	IP65
-----------	------

Solid neutral (optional)

References	21155005	21155007	21155009	21155011
------------	----------	----------	----------	----------

ADD-ON Auxiliary contact (NO/NC)	21134001
120 V AC15	6 A
230 V AC15	3 A
500 V AC15	1,5 A