



Circuit breaker connections, tested connections between vertical S2000 busbar system and ACB/MCCB breakers.

This manual is a supplement to our Projecting Manual, which includes all necessary information about how to project a CUBIC electrical switchboard based on modules, and complying with the international standards of the IEC 61439 series.

The manual shows connections for breakers in the following brands: ABB, Schneider Electric, Siemens and Terasaki.

The range is from 800A to 6300A breakers.

The manual is divided into the four brands, breaker types, ranges, versions, placements etc. and shows all type numbers ready for ordering.

On each page there are Link to drawings to installation guides.


DK Manual, afbryderforbindelser, erstatter tidligere udsendte.
Ret til ændringer forbeholdes.
Med forbehold for trykfejl.
© CUBIC-Modulsystem A/S
Kilde skal gengives ved kopiering


S Manual, anslutningskænor, ersätter tidigare utsända.
Rätt till ändringar förbehålles.
Vi reserverar oss för eventuella tryckfel.
© CUBIC-Modulsystem A/S
Källan skall anges vid kopiering


GB Manual, circuit breaker connections, replaces previous versions.
CUBIC reserves the right to make any alterations.
Subject to misprints.
© CUBIC-Modulsystem A/S
The source must be stated when reproduction

D Manual, schalterverbindungen, ersetzt alle früheren Versionen.
Änderungen vorbehalten.
Vorbehalt der Druckfehler.
© CUBIC-Modulsystem A/S
Die Quelle muss an Kopierung angegeben werden

F Manual, connexions disjoncteur, remplace les versions précédentes.
CUBIC se réserve le droit de modifier ses produits et décline toute
responsabilité en cas d'erreur ou d'omission dans le présent document.
© CUBIC-Modulsystem A/S
Toute reproduction doit mentionner la source CUBIC

 **DK** Side henvisning
S Sidanvisning
GB Page reference
D Seitenanweisung
F Référence de page

 **DK** Husk
S Kom ihåg
GB Remember
D Bitte beachten
F Souvenez-vous, SVP

 **DK** Vigtig henvisning
S Viktig hänvisning
GB Important reference
D Wichtiger Verweis
F Référence importante

 **DK** God idé
S God idé
GB Good idea
D Gute Idee
F Bonne idée

ABB

ACB 6300A E6.2	ACB 4000A E4.2	ACB 3200A E4.2
ACB 2500A E4.2	ACB 2500A E2.2	ACB 2000A E2.2
ACB 1600A E1.2	MCCB 1250A T7H	MCCB 800A T6H

Schneider Electric

ACB 6300A NW63H2	ACB 4000A NW40H2	ACB 3200A NW32H2
ACB 2000A NW20H2	ACB 1600A NT16 / NT16H2	ACB 1000A NT10 / NT10H2
MCCB 800A - 1600A NS800 - NS1600 Rotary	MCCB 800A - 1600A NS800 - NS1600 Motor	

Siemens

ACB 6300A 3WL13	ACB 4000A 3WL12	ACB 3200A 3WL12
ACB 2000A 3WL12	ACB 1600A 3WL12	MCCB 1250A VL1250 / VL800

Terasaki

ACB 6300A AR630SB	ACB 4000A AR440SB	ACB 3200A AR332SH
ACB 2000A AR220H	ACB 1600A AR216S	

ACB support

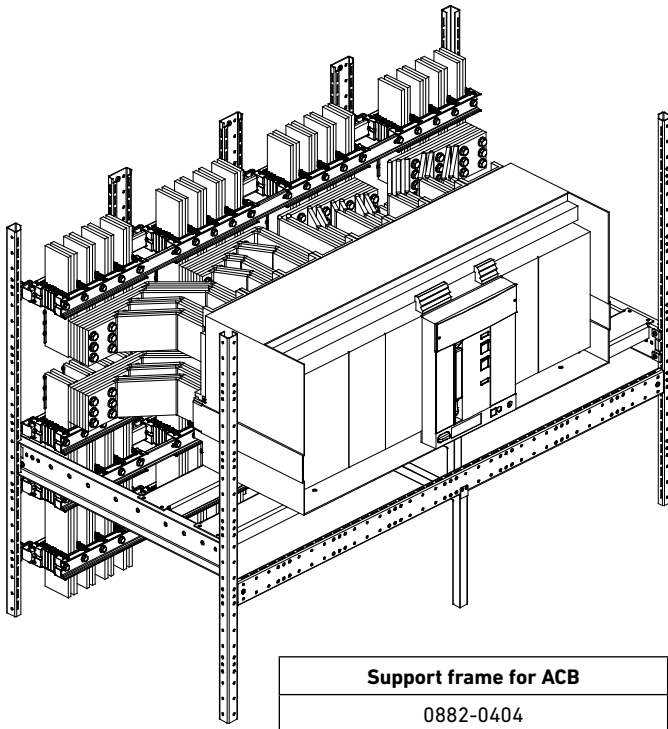
Separation of connections

- DK ABB E6.2 6300A
- S ABB E6.2 6300A
- GB ABB E6.2 6300A
- D ABB E6.2 6300A
- F ABB E6.2 6300A

Date: 19 JUL 18

004

Index



Support frame for ACB
0882-0404

Circuit breaker: ABB E6.2 6300A WD
Connection type: Vertical connection Front of breaker through cover/door

Circuit breaker connection: Top									
Pol.	S2000 Placement	Panel width carrier	Panel depth carrier	L1	L2	L3	N	Link to drawing	
3P	Middle	8M 0119-0800	4M 0212-0400	8350-0011	8350-0021	8350-0021			
				8350-0012	8350-0022	8350-0022			
				8350-0013	8350-0023	8350-0023			
				8350-0014	8350-0024	8350-0024			
				8350-0015	8350-0025	8350-0025			
				8350-0016	8350-0026	8350-0026			
				8350-0017	8350-0027	8350-0026			
				8350-0017	8350-0028	8350-0027			
4P	Middle	8M 0119-0800	4M 0212-0400	8350-0011	8350-0021	8350-0021	8350-0011		
				8350-0012	8350-0022	8350-0022			8350-0012
				8350-0013	8350-0023	8350-0023			8350-0013
				8350-0014	8350-0024	8350-0024			8350-0014
				8350-0015	8350-0025	8350-0025			8350-0015
				8350-0016	8350-0026	8350-0026			8350-0016
				8350-0017	8350-0027	8350-0027			8350-0017
				8350-0017	8350-0028	8350-0028			8350-0017
Circuit breaker connection: Bottom									
Pol.	S2000 Placement	Panel width carrier	Panel depth carrier	L1	L2	L3	N	Link to drawing	
3P	Middle	8M 0119-0800	4M 0212-0400	8350-0011	8350-0021	8350-0021			
				8350-0012	8350-0022	8350-0022			
				8350-0013	8350-0023	8350-0023			
				8350-0014	8350-0024	8350-0024			
				8350-0015	8350-0025	8350-0025			
				8350-0016	8350-0026	8350-0026			
				8350-0017	8350-0027	8350-0026			
				8350-0017	8350-0028	8350-0027			
4P	Middle	8M 0119-0800	4M 0212-0400	8350-0011	8350-0021	8350-0021	8350-0011		
				8350-0012	8350-0022	8350-0022			8350-0012
				8350-0013	8350-0023	8350-0023			8350-0013
				8350-0014	8350-0024	8350-0024			8350-0014
				8350-0015	8350-0025	8350-0025			8350-0015
				8350-0016	8350-0026	8350-0026			8350-0016
				8350-0017	8350-0027	8350-0027			8350-0017
				8350-0017	8350-0028	8350-0028			8350-0017

CUBIC-Modulsystem A/S
Skjoldborgsgade 21
DK-9700 Broenderslev

Tel +45 9882 2400
E-mail info@cubic.eu
Web www.cubic.eu

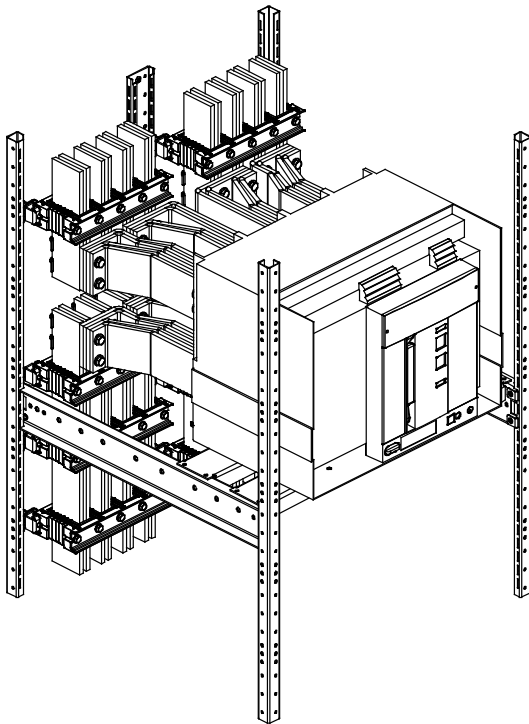
CUBIC

- DK **ABB E4.2 4000A**
- S **ABB E4.2 4000A**
- GB **ABB E4.2 4000A**
- D **ABB E4.2 4000A**
- F **ABB E4.2 4000A**

Date: 19 JUL 18

005

Index



Circuit breaker: ABB E4.2 4000A WD
Connection type: Vertical connection
Front of breaker through cover/door

Circuit breaker connection: Top								
Pol.	S2000 Placement	Panel width carrier	Panel depth carrier	L1	L2	L3	N	Link to drawing
3P	Middle	4M 0119-0400	4M 0212-0400	8339-0011	8339-0021	8339-0021		
				8339-0012	8339-0022	8339-0022		
				8339-0013	8339-0023	8339-0023		
				8339-0014	8339-0024	8339-0024		
4P	Middle	4M 0119-0400	4M 0212-0400	8339-0011	8339-0021	8339-0021	8339-0011	
				8339-0012	8339-0022	8339-0022	8339-0012	
				8339-0013	8339-0023	8339-0023	8339-0013	
				8339-0014	8339-0024	8339-0024	8339-0014	
Circuit breaker connection: Bottom								
Pol.	S2000 Placement	Panel width carrier	Panel depth carrier	L1	L2	L3	N	Link to drawing
3P	Middle	4M 0119-0400	4M 0212-0400	8339-0011	8339-0021	8339-0021		
				8339-0012	8339-0022	8339-0022		
				8339-0013	8339-0023	8339-0023		
				8339-0014	8339-0024	8339-0024		
4P	Middle	4M 0119-0400	4M 0212-0400	8339-0011	8339-0021	8339-0021	8339-0011	
				8339-0012	8339-0022	8339-0022	8339-0012	
				8339-0013	8339-0023	8339-0023	8339-0013	
				8339-0014	8339-0024	8339-0024	8339-0014	

CUBIC-Modulsystem A/S
Skjoldborgsgade 21
DK-9700 Broenderslev

Tel +45 9882 2400
E-mail info@cubic.eu
Web www.cubic.eu

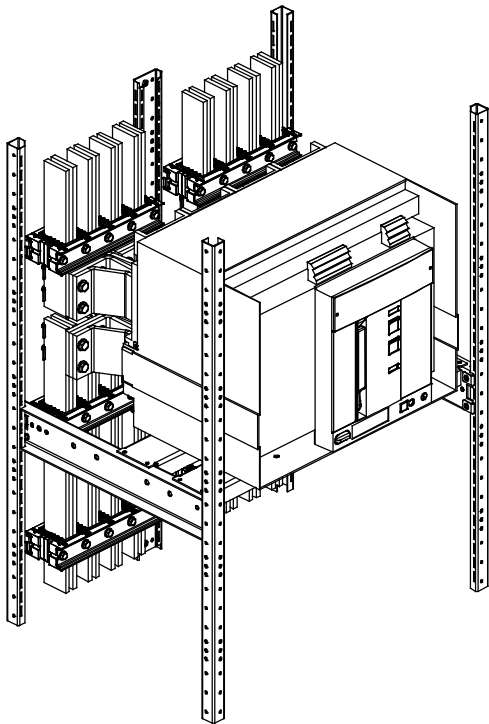
CUBIC

- DK **ABB E4.2 3200A**
- S **ABB E4.2 3200A**
- GB **ABB E4.2 3200A**
- D **ABB E4.2 3200A**
- F **ABB E4.2 3200A**

Date: 19 JUL 18

006

Index



Circuit breaker: ABB E4.2 3200A WD
Connection type: Vertical connection
Front of breaker through cover/door

Circuit breaker connection: Top								
Pol.	S2000 Placement	Panel width carrier	Panel depth carrier	L1	L2	L3	N	Link to drawing
3P	Middle	4M 0119-0400	3M 0212-0300	8351-0011 8351-0012 8351-0013	8351-0021 8351-0022 8351-0023	8351-0021 8351-0022 8351-0023		
4P	Middle	4M 0119-0400	3M 0212-0300	8351-0011 8351-0012 8351-0013	8351-0021 8351-0022 8351-0023	8351-0021 8351-0022 8351-0023	8351-0011 8351-0012 8351-0013	
Circuit breaker connection: Bottom								
Pol.	S2000 Placement	Panel width carrier	Panel depth carrier	L1	L2	L3	N	Link to drawing
3P	Middle	4M 0119-0400	3M 0212-0300	8351-0011 8351-0012 8351-0013	8351-0021 8351-0022 8351-0023	8351-0021 8351-0022 8351-0023		
4P	Middle	4M 0119-0400	3M 0212-0300	8351-0011 8351-0012 8351-0013	8351-0021 8351-0022 8351-0023	8351-0021 8351-0022 8351-0023	8351-0011 8351-0012 8351-0013	

CUBIC-Modulsystem A/S
Skjoldborgsgade 21
DK-9700 Broenderslev

Tel +45 9882 2400
E-mail info@cubic.eu
Web www.cubic.eu

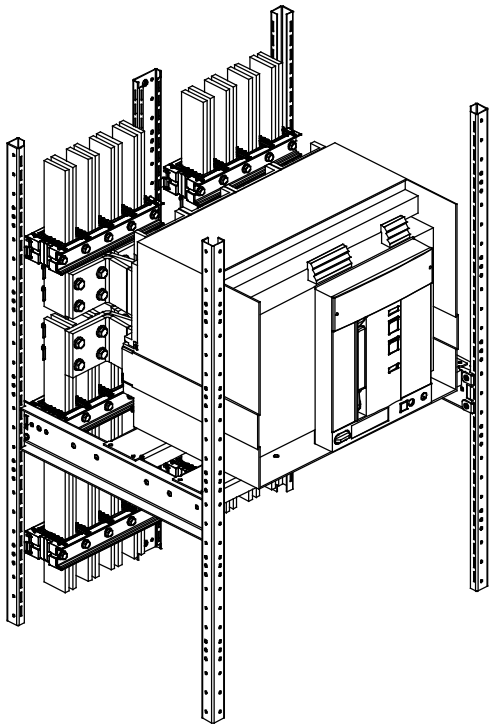
CUBIC

- DK **ABB E4.2 2500A**
- S **ABB E4.2 2500A**
- GB **ABB E4.2 2500A**
- D **ABB E4.2 2500A**
- F **ABB E4.2 2500A**

Date: 19 JUL 18

007

Index



Circuit breaker: ABB E4.2 2500A WD
Connection type: Vertical connection Front of breaker through cover/door

Circuit breaker connection: Top								
Pol.	S2000 Placement	Panel width carrier	Panel depth carrier	L1	L2	L3	N	Link to drawing
3P	Middle	4M 0119-0400	3M 0212-0300	8352-0011 8352-0012	8352-0021 8352-0022	8352-0021 8352-0022		
4P	Middle	4M 0119-0400	3M 0212-0300	8352-0011 8352-0012	8352-0021 8352-0022	8352-0021 8352-0022	8352-0011 8352-0012	

Circuit breaker connection: Bottom								
Pol.	S2000 Placement	Panel width carrier	Panel depth carrier	L1	L2	L3	N	Link to drawing
3P	Middle	4M 0119-0400	3M 0212-0300	8352-0011 8352-0012	8352-0021 8352-0022	8352-0021 8352-0022		
4P	Middle	4M 0119-0400	3M 0212-0300	8352-0011 8352-0012	8352-0021 8352-0022	8352-0021 8352-0022	8352-0011 8352-0012	

CUBIC-Modulsystem A/S
 Skjoldborgsgade 21
 DK-9700 Broenderslev

Tel +45 9882 2400
 E-mail info@cubic.eu
 Web www.cubic.eu

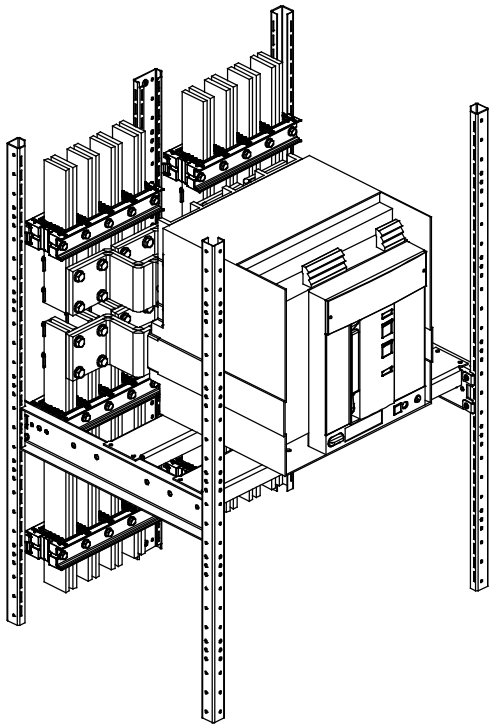
CUBIC

- DK **ABB E2.2 2500A**
- S **ABB E2.2 2500A**
- GB **ABB E2.2 2500A**
- D **ABB E2.2 2500A**
- F **ABB E2.2 2500A**

Date: 19 JUL 18

008

Index



Circuit breaker: ABB E2.2 2500A WD
Connection type: Vertical connection
Front of breaker through cover/door

Circuit breaker connection: Top								
PoL.	S2000 Placement	Panel width carrier	Panel depth carrier	L1	L2	L3	N	Link to drawing
3P	Middle	4M 0119-0400	3M 0212-0300	8352-0111 8352-0112	8352-0121 8352-0122	8352-0121 8352-0122		
4P	Middle	4M 0119-0400	3M 0212-0300	8352-0111 8352-0112	8352-0121 8352-0122	8352-0121 8352-0122	8352-0111 8352-0112	
Circuit breaker connection: Bottom								
PoL.	S2000 Placement	Panel width carrier	Panel depth carrier	L1	L2	L3	N	Link to drawing
3P	Middle	4M 0119-0400	3M 0212-0300	8352-0111 8352-0112	8352-0121 8352-0122	8352-0121 8352-0122		
4P	Middle	4M 0119-0400	3M 0212-0300	8352-0111 8352-0112	8352-0121 8352-0122	8352-0121 8352-0122	8352-0111 8352-0112	

CUBIC-Modulsystem A/S
Skjoldborgsgade 21
DK-9700 Broenderslev

Tel +45 9882 2400
E-mail info@cubic.eu
Web www.cubic.eu

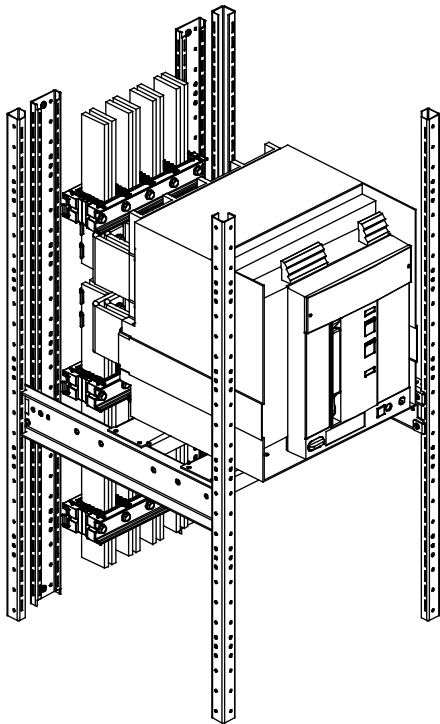
CUBIC

- DK **ABB E2.2 2000A**
- S **ABB E2.2 2000A**
- GB **ABB E2.2 2000A**
- D **ABB E2.2 2000A**
- F **ABB E2.2 2000A**

Date: 19 JUL 18

009

Index



Circuit breaker:
ABB E2.2 2000A WD

Connection type:
Vertical connection

Front of breaker through cover/door

Circuit breaker connection: Top

Pol.	S2000 Placement	Panel width carrier	Panel depth carrier	L1	L2	L3	N	Link to drawing
3P	Left	3M 0119-0300	3M 0212-0300	8353-0011 8353-0012	8353-0021 8353-0022	8353-0031 8353-0032		
3P	Right	3M 0119-0300	3M 0212-0300	8353-0031 8353-0032	8353-0021 8353-0022	8353-0011 8353-0012		
3P	Middle	3M 0119-0300	3M 0212-0300	8354-0011 8354-0012	8354-0021 8354-0022	8354-0021 8354-0022		
4P	Left	3M 0119-0300	3M 0212-0300	8353-0011 8353-0012	8353-0021 8353-0022	8353-0031 8353-0032	8353-0041 8353-0042	
4P	Right	3M 0119-0300	3M 0212-0300	8353-0041 8353-0042	8353-0031 8353-0032	8353-0021 8353-0022	8353-0011 8353-0012	
4P	Middle	3M 0119-0300	3M 0212-0300	8354-0011 8354-0012	8354-0021 8354-0022	8354-0021 8354-0022	8354-0011 8354-0012	

Circuit breaker connection: Bottom

Pol.	S2000 Placement	Panel width carrier	Panel depth carrier	L1	L2	L3	N	Link to drawing
3P	Left	3M 0119-0300	3M 0212-0300	8353-0011 8353-0012	8353-0021 8353-0022	8353-0031 8353-0032		
3P	Right	3M 0119-0300	3M 0212-0300	8353-0031 8353-0032	8353-0021 8353-0022	8353-0011 8353-0012		
3P	Middle	3M 0119-0300	3M 0212-0300	8354-0011 8354-0012	8354-0021 8354-0022	8354-0021 8354-0022		
4P	Left	3M 0119-0300	3M 0212-0300	8353-0011 8353-0012	8353-0021 8353-0022	8353-0031 8353-0032	8353-0041 8353-0042	
4P	Right	3M 0119-0300	3M 0212-0300	8353-0041 8353-0042	8353-0031 8353-0032	8353-0021 8353-0022	8353-0011 8353-0012	
4P	Middle	3M 0119-0300	3M 0212-0300	8354-0011 8354-0012	8354-0021 8354-0022	8354-0021 8354-0022	8354-0011 8354-0012	

CUBIC-Modulsystem A/S
Skjoldborgsgade 21
DK-9700 Broenderslev

Tel +45 9882 2400
E-mail info@cubic.eu
Web www.cubic.eu

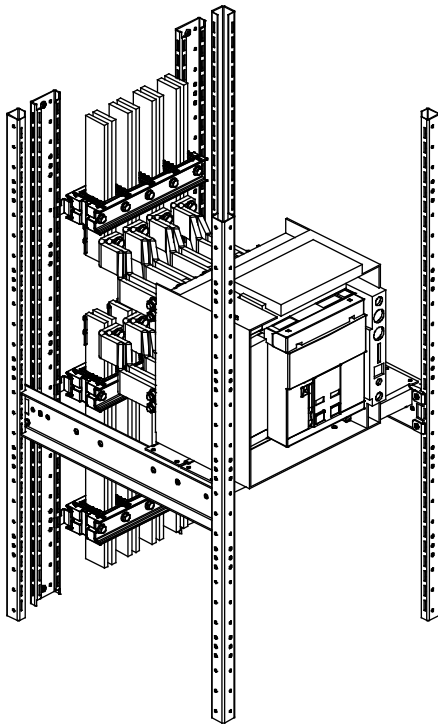
CUBIC

- DK **ABB E1.2 1600A**
- S **ABB E1.2 1600A**
- GB **ABB E1.2 1600A**
- D **ABB E1.2 1600A**
- F **ABB E1.2 1600A**

Date: 19 JUL 18

010

Index



Circuit breaker: ABB E1.2 1600A WD
Connection type: Vertical connection
Front of breaker through cover/door

Circuit breaker connection: Top								
Pol.	S2000 Placement	Panel width carrier	Panel depth carrier	L1	L2	L3	N	Link to drawing
3P	Left	3M 0119-0300	3M 0212-0300	8355-0011 8355-0012	8355-0021 8355-0022	8355-0031 8355-0032		
3P	Right	3M 0119-0300	3M 0212-0300	8355-0041 8355-0042	8355-0031 8355-0032	8355-0021 8355-0022		
3P	Middle	3M 0119-0300	3M 0212-0300	8355-0041 8355-0042	8355-0031 8355-0032	8355-0021 8355-0022		
4P	Left	3M 0119-0300	3M 0212-0300	8355-0011 8355-0012	8355-0021 8355-0022	8355-0031 8355-0032	8355-0041 8355-0042	
4P	Right	3M 0119-0300	3M 0212-0300	8355-0041 8355-0042	8355-0031 8355-0032	8355-0021 8355-0022	8355-0011 8355-0012	
4P	Middle	3M 0119-0300	3M 0212-0300	8355-0041 8355-0042	8355-0031 8355-0032	8355-0021 8355-0022	8355-0011 8355-0012	
Circuit breaker connection: Bottom								
Pol.	S2000 Placement	Panel width carrier	Panel depth carrier	L1	L2	L3	N	Link to drawing
3P	Left	3M 0119-0300	3M 0212-0300	8355-0011 8355-0012	8355-0021 8355-0022	8355-0031 8355-0032		
3P	Right	3M 0119-0300	3M 0212-0300	8355-0041 8355-0042	8355-0031 8355-0032	8355-0021 8355-0022		
3P	Middle	3M 0119-0300	3M 0212-0300	8355-0041 8355-0042	8355-0031 8355-0032	8355-0021 8355-0022		
4P	Left	3M 0119-0300	3M 0212-0300	8355-0011 8355-0012	8355-0021 8355-0022	8355-0031 8355-0032	8355-0041 8355-0042	
4P	Right	3M 0119-0300	3M 0212-0300	8355-0041 8355-0042	8355-0031 8355-0032	8355-0021 8355-0022	8355-0011 8355-0012	
4P	Middle	3M 0119-0300	3M 0212-0300	8355-0041 8355-0042	8355-0031 8355-0032	8355-0021 8355-0022	8355-0011 8355-0012	

CUBIC-Modulsystem A/S
Skjoldborgsgade 21
DK-9700 Broenderslev

Tel +45 9882 2400
E-mail info@cubic.eu
Web www.cubic.eu

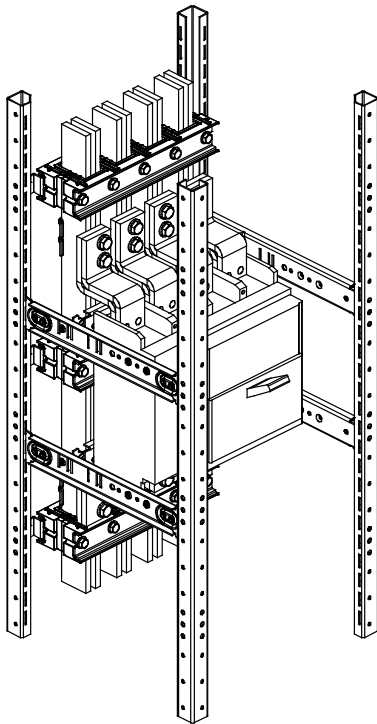
CUBIC

- Ⓚ ABB T7H 1250A
- Ⓢ ABB T7H 1250A
- ⒼⒷ ABB T7H 1250A
- Ⓓ ABB T7H 1250A
- Ⓕ ABB T7H 1250A

Date: 19 JUL 18

011

Index



Circuit breaker: ABB T7H 1250A Fixed
Connection type: Front connection Front of breaker through cover/door

Circuit breaker connection: Top								
PoL	S2000 Placement	Panel width carrier	Panel depth carrier	L1	L2	L3	N	Link to drawing
3P	Middle	2M ICCP2	2M ICCP2	8356-0011 8356-0012	8356-0021 8356-0022	8356-0031 8356-0032		
4P	Middle	2M ICCP2	2M ICCP2	8356-0011 8356-0012	8356-0021 8356-0022	8356-0031 8356-0032	8356-0041 8356-0042	
Circuit breaker connection: Bottom								
PoL	S2000 Placement	Panel width carrier	Panel depth carrier	L1	L2	L3	N	Link to drawing
3P	Middle	2M ICCP2	2M ICCP2	8356-0041 8356-0042	8356-0031 8356-0032	8356-0021 8356-0022		
4P	Middle	2M ICCP2	2M ICCP2	8356-0041 8356-0042	8356-0031 8356-0032	8356-0021 8356-0022	8356-0011 8356-0012	

CUBIC-Modulsystem A/S
Skjoldborgsgade 21
DK-9700 Broenderslev

Tel +45 9882 2400
E-mail info@cubic.eu
Web www.cubic.eu

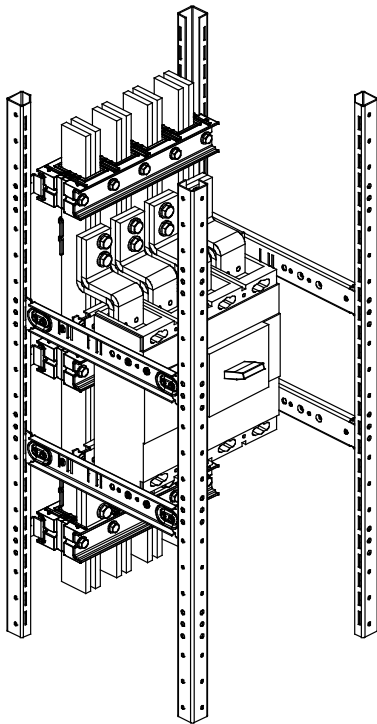
CUBIC

- DK **ABB T6H 800A**
- S **ABB T6H 800A**
- GB **ABB T6H 800A**
- D **ABB T6H 800A**
- F **ABB T6H 800A**

Date: 19 JUL 18

012

Index



Circuit breaker: ABB T6H 800A Fixed
Connection type: Front connection Front of breaker through cover/door

Circuit breaker connection: Top								
Pol.	S2000 Placement	Panel width carrier	Panel depth carrier	L1	L2	L3	N	Link to drawing
3P	Middle	2M ICCP2	2M ICCP2	8357-0011 8357-0012	8357-0021 8357-0022	8357-0031 8357-0032		
4P	Middle	2M ICCP2	2M ICCP2	8357-0011 8357-0012	8357-0021 8357-0022	8357-0031 8357-0032	8357-0041 8357-0042	
Circuit breaker connection: Bottom								
Pol.	S2000 Placement	Panel width carrier	Panel depth carrier	L1	L2	L3	N	Link to drawing
3P	Middle	2M ICCP2	2M ICCP2	8357-0041 8357-0042	8357-0031 8357-0032	8357-0021 8357-0022		
4P	Middle	2M ICCP2	2M ICCP2	8357-0041 8357-0042	8357-0031 8357-0032	8357-0021 8357-0022	8357-0011 8357-0012	

CUBIC-Modulsystem A/S
Skjoldborgsgade 21
DK-9700 Broenderslev

Tel +45 9882 2400
E-mail info@cubic.eu
Web www.cubic.eu

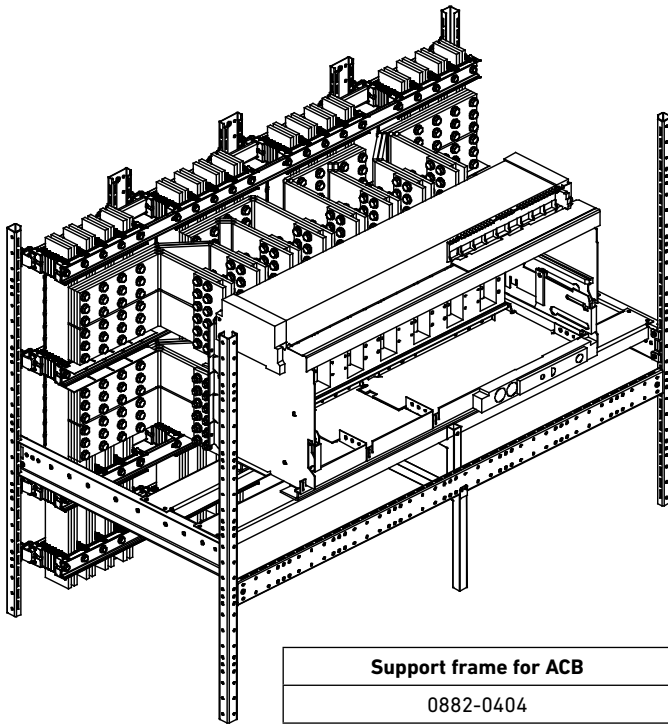
CUBIC

- (DK) Schneider Electric NW63H2
- (S) Schneider Electric NW63H2
- (GB) Schneider Electric NW63H2
- (D) Schneider Electric NW63H2
- (F) Schneider Electric NW63H2

Date: 19 JUL 18

013

Index



Circuit breaker: Schneider Electric NW63H2 6300A
Connection type: Vertical connection Front of breaker through cover/door

Circuit breaker connection: Top								
Pol.	S2000 Placement	Panel width carrier	Panel depth carrier	L1	L2	L3	N	Link to drawing
3P	Middle	8M 0119-0800	4M 0212-0400	4x 8331-0000 2x 8331-0011 2x 8331-0012 2x 8331-0013 2x 8331-0014	4x 8331-0000 2x 8331-0021 2x 8331-0022 2x 8331-0023 2x 8331-0024	4x 8331-0000 2x 8331-0011 2x 8331-0012 2x 8331-0013 2x 8331-0014		
4P	Middle	8M 0119-0800	4M 0212-0400	4x 8331-0000 2x 8331-0111 2x 8331-0112 2x 8331-0113 2x 8331-0114	4x 8331-0000 2x 8331-0121 2x 8331-0122 2x 8331-0123 2x 8331-0124	4x 8331-0000 2x 8331-0121 2x 8331-0122 2x 8331-0123 2x 8331-0124	4x 8331-0000 2x 8331-0111 2x 8331-0112 2x 8331-0113 2x 8331-0114	
Circuit breaker connection: Bottom								
Pol.	S2000 Placement	Panel width carrier	Panel depth carrier	L1	L2	L3	N	Link to drawing
3P	Middle	8M 0119-0800	4M 0212-0400	4x 8331-0000 2x 8331-0011 2x 8331-0012 2x 8331-0013 2x 8331-0014	4x 8331-0000 2x 8331-0021 2x 8331-0022 2x 8331-0023 2x 8331-0024	4x 8331-0000 2x 8331-0011 2x 8331-0012 2x 8331-0013 2x 8331-0014		
4P	Middle	8M 0119-0800	4M 0212-0400	4x 8331-0000 2x 8331-0111 2x 8331-0112 2x 8331-0113 2x 8331-0114	4x 8331-0000 2x 8331-0121 2x 8331-0122 2x 8331-0123 2x 8331-0124	4x 8331-0000 2x 8331-0121 2x 8331-0122 2x 8331-0123 2x 8331-0124	4x 8331-0000 2x 8331-0111 2x 8331-0112 2x 8331-0113 2x 8331-0114	

CUBIC-Modulsystem A/S
Skjoldborgsgade 21
DK-9700 Broenderslev

Tel +45 9882 2400
E-mail info@cubic.eu
Web www.cubic.eu

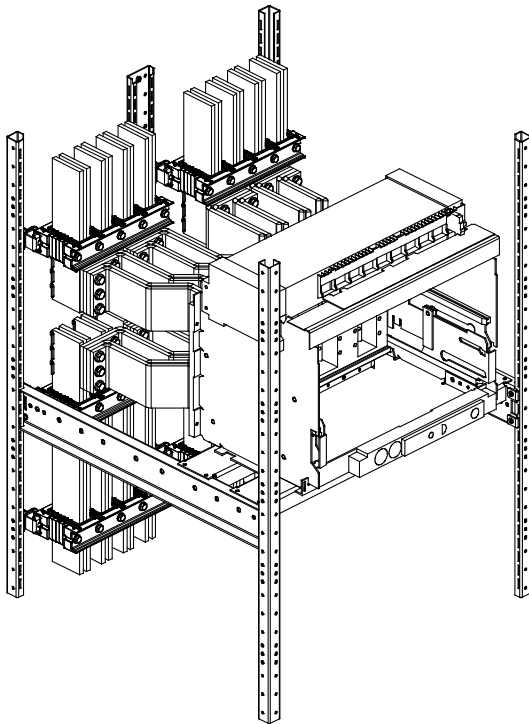
CUBIC

- DK Schneider Electric NW40H2
- S Schneider Electric NW40H2
- GB Schneider Electric NW40H2
- D Schneider Electric NW40H2
- F Schneider Electric NW40H2





Date: 19 JUL 18

014

Index



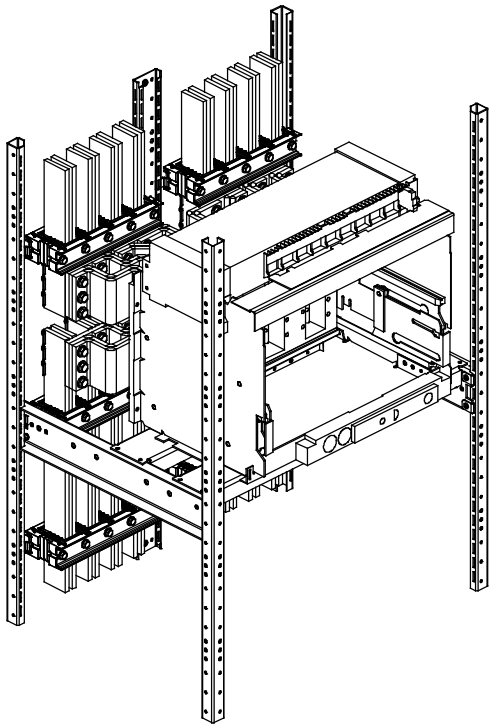
Circuit breaker: Schneider Electric NW40H2 4000A
Connection type: Vertical connection
Front of breaker through cover/door

Circuit breaker connection: Top								
Pol.	S2000 Placement	Panel width carrier	Panel depth carrier	L1	L2	L3	N	Link to drawing
3P	Middle	4M 0119-0400	4M 0212-0400	8326-0011	8326-0021	8326-0021		
				8326-0012	8326-0022	8326-0022		
				8326-0013	8326-0023	8326-0023		
				8326-0014	8326-0024	8326-0024		
4P	Middle	4M 0119-0400	4M 0212-0400	8326-0011	8326-0021	8326-0021	8326-0011	
				8326-0012	8326-0022	8326-0022	8326-0012	
				8326-0013	8326-0023	8326-0023	8326-0013	
				8326-0014	8326-0024	8326-0024	8326-0014	
Circuit breaker connection: Bottom								
Pol.	S2000 Placement	Panel width carrier	Panel depth carrier	L1	L2	L3	N	Link to drawing
3P	Middle	4M 0119-0400	4M 0212-0400	8326-0011	8326-0021	8326-0021		
				8326-0012	8326-0022	8326-0022		
				8326-0013	8326-0023	8326-0023		
				8326-0014	8326-0024	8326-0024		
4P	Middle	4M 0119-0400	4M 0212-0400	8326-0011	8326-0021	8326-0021	8326-0011	
				8326-0012	8326-0022	8326-0022	8326-0012	
				8326-0013	8326-0023	8326-0023	8326-0013	
				8326-0014	8326-0024	8326-0024	8326-0014	

CUBIC-Modulsystem A/S
Skjoldborgsgade 21
DK-9700 Broenderslev

Tel +45 9882 2400
E-mail info@cubic.eu
Web www.cubic.eu

CUBIC



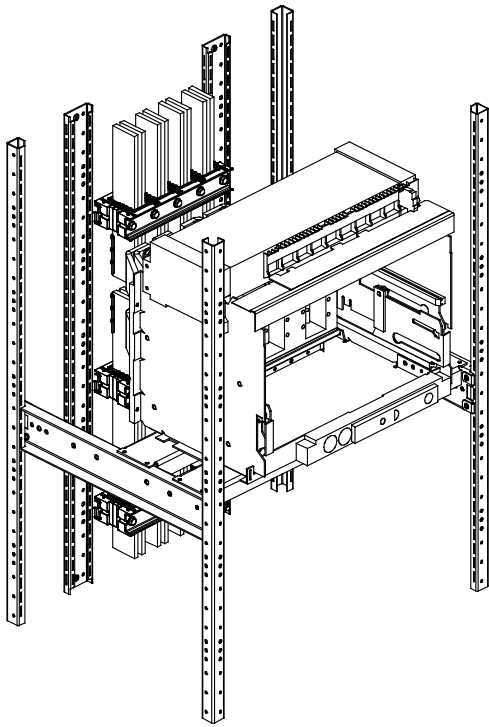
Circuit breaker: Schneider Electric NW32H2 3200A
Connection type: Vertical connection
Front of breaker through cover/door

Circuit breaker connection: Top

Pol.	S2000 Placement	Panel width carrier	Panel depth carrier	L1	L2	L3	N	Link to drawing
3P	Middle	4M 0119-0400	3M 0212-0300	8348-0011	8348-0021	8348-0021		
				8348-0012	8348-0022	8348-0022		
				8348-0013	8348-0023	8348-0023		
				8348-0014	8348-0024	8348-0024		
3P	Middle	4M 0119-0400	4M 0212-0400	8332-0011	8332-0021	8332-0021		
				8332-0012	8332-0022	8332-0022		
				8332-0013	8332-0023	8332-0023		
				8332-0014	8332-0024	8332-0024		
4P	Middle	4M 0119-0400	3M 0212-0300	8348-0011	8348-0021	8348-0021	8348-0011 8348-0012 8348-0013 8348-0014	
				8348-0012	8348-0022	8348-0022		
				8348-0013	8348-0023	8348-0023		
				8348-0014	8348-0024	8348-0024		

Circuit breaker connection: Bottom

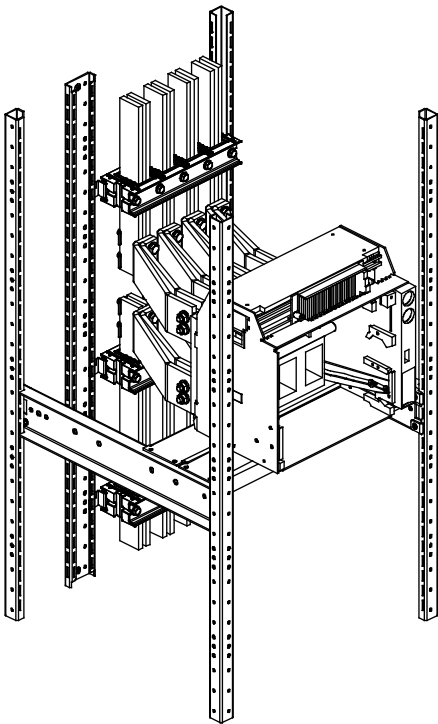
Pol.	S2000 Placement	Panel width carrier	Panel depth carrier	L1	L2	L3	N	Link to drawing
3P	Middle	4M 0119-0400	3M 0212-0300	8348-0011	8348-0021	8348-0021		
				8348-0012	8348-0022	8348-0022		
				8348-0013	8348-0023	8348-0023		
				8348-0014	8348-0024	8348-0024		
3P	Middle	4M 0119-0400	4M 0212-0400	8332-0011	8332-0021	8332-0021		
				8332-0012	8332-0022	8332-0022		
				8332-0013	8332-0023	8332-0023		
				8332-0014	8332-0024	8332-0024		
4P	Middle	4M 0119-0400	3M 0212-0300	8348-0011	8348-0021	8348-0021	8348-0011 8348-0012 8348-0013 8348-0014	
				8348-0012	8348-0022	8348-0022		
				8348-0013	8348-0023	8348-0023		
				8348-0014	8348-0024	8348-0024		



Circuit breaker: Schneider Electric NW20H2 2000A
Connection type: Vertical connection
Front of breaker through cover/door

Circuit breaker connection: Top								
Pol.	S2000 Placement	Panel width carrier	Panel depth carrier	L1	L2	L3	N	Link to drawing
3P	Left	3M 0119-0300	3M 0212-0300	8347-0011 8347-0012	8347-0021 8347-0022	8347-0031 8347-0032		
3P	Right	3M 0119-0300	3M 0212-0300	8336-0011 8336-0012	8336-0021 8336-0022	8336-0031 8336-0032		
3P	Middle	4M 0119-0400	3M 0212-0300	8324-0111 8324-0112	8324-0121 8324-0122	8324-0121 8324-0122		
4P	Middle	4M 0119-0400	3M 0212-0300	8324-0111 8324-0112	8324-0121 8324-0122	8324-0121 8324-0122	8324-0111 8324-0112	

Circuit breaker connection: Bottom								
Pol.	S2000 Placement	Panel width carrier	Panel depth carrier	L1	L2	L3	N	Link to drawing
3P	Left	3M 0119-0300	3M 0212-0300	8347-0011 8347-0012	8347-0021 8347-0022	8347-0031 8347-0032		
3P	Right	3M 0119-0300	3M 0212-0300	8336-0011 8336-0012	8336-0021 8336-0022	8336-0031 8336-0032		
3P	Middle	4M 0119-0400	3M 0212-0300	8324-0111 8324-0112	8324-0121 8324-0122	8324-0121 8324-0122		
4P	Middle	4M 0119-0400	3M 0212-0300	8324-0111 8324-0112	8324-0121 8324-0122	8324-0121 8324-0122	8324-0111 8324-0112	



Circuit breaker: Schneider Electric NT16 / NT16H2 1600A
Connection type: Vertical connection Front of breaker through cover/door

Circuit breaker connection: Top								
Pol.	S2000 Placement	Panel width carrier	Panel depth carrier	L1	L2	L3	N	Link to drawing
3P	Left	3M 0119-0300	3M 0212-0300	8328-0041 8328-0042	8328-0031 8328-0032	8328-0021 8328-0022		
3P	Right	3M 0119-0300	3M 0212-0300	8328-0011 8328-0012	8328-0021 8328-0022	8328-0031 8328-0032		
4P	Left	3M 0119-0300	3M 0212-0300	8328-0041 8328-0042	8328-0031 8328-0032	8328-0021 8328-0022	8328-0011 8328-0012	
4P	Right	3M 0119-0300	3M 0212-0300	8328-0011 8328-0012	8328-0021 8328-0022	8328-0031 8328-0032	8328-0041 8328-0042	

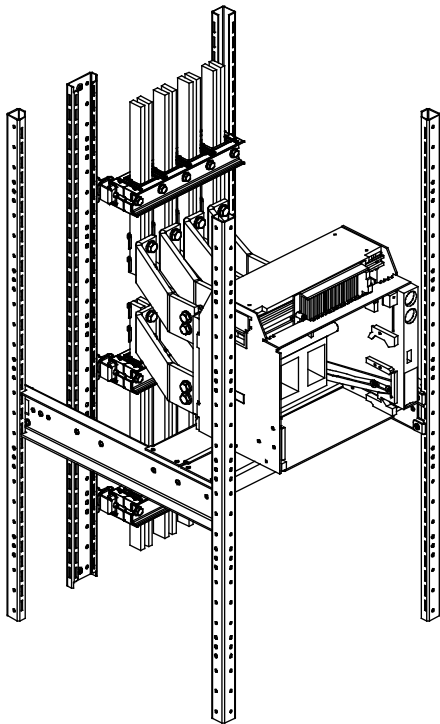
Circuit breaker connection: Bottom								
Pol.	S2000 Placement	Panel width carrier	Panel depth carrier	L1	L2	L3	N	Link to drawing
3P	Left	3M 0119-0300	3M 0212-0300	8328-0041 8328-0042	8328-0031 8328-0032	8328-0021 8328-0022		
3P	Right	3M 0119-0300	3M 0212-0300	8328-0011 8328-0012	8328-0021 8328-0022	8328-0031 8328-0032		
4P	Left	3M 0119-0300	3M 0212-0300	8328-0041 8328-0042	8328-0031 8328-0032	8328-0021 8328-0022	8328-0011 8328-0012	
4P	Right	3M 0119-0300	3M 0212-0300	8328-0011 8328-0012	8328-0021 8328-0022	8328-0031 8328-0032	8328-0041 8328-0042	

- Ⓚ Schneider Electric NT10 / NT10H2
- Ⓢ Schneider Electric NT10 / NT10H2
- ⒼⒷ Schneider Electric NT10 / NT10H2
- Ⓓ Schneider Electric NT10 / NT10H2
- Ⓕ Schneider Electric NT10 / NT10H2

Date: 19 JUL 18

018

Index



Circuit breaker: Schneider Electric NT10 / NT10H2 1000A
Connection type: Vertical connection
Front of breaker through cover/door

Circuit breaker connection: Top								
Pol.	S2000 Placement	Panel width carrier	Panel depth carrier	L1	L2	L3	N	Link to drawing
3P	Left	3M 0119-0300	3M 0212-0300	8328-0041	8328-0031	8328-0021		
3P	Right	3M 0119-0300	3M 0212-0300	8328-0011	8328-0021	8328-0031		
4P	Left	3M 0119-0300	3M 0212-0300	8328-0041	8328-0031	8328-0021	8328-0011	
4P	Right	3M 0119-0300	3M 0212-0300	8328-0011	8328-0021	8328-0031	8328-0041	

Circuit breaker connection: Bottom								
Pol.	S2000 Placement	Panel width carrier	Panel depth carrier	L1	L2	L3	N	Link to drawing
3P	Left	3M 0119-0300	3M 0212-0300	8328-0041	8328-0031	8328-0021		
3P	Right	3M 0119-0300	3M 0212-0300	8328-0011	8328-0021	8328-0031		
4P	Left	3M 0119-0300	3M 0212-0300	8328-0041	8328-0031	8328-0021	8328-0011	
4P	Right	3M 0119-0300	3M 0212-0300	8328-0011	8328-0021	8328-0031	8328-0041	

CUBIC-Modulsystem A/S
Skjoldborgsgade 21
DK-9700 Broenderslev

Tel +45 9882 2400
E-mail info@cubic.eu
Web www.cubic.eu

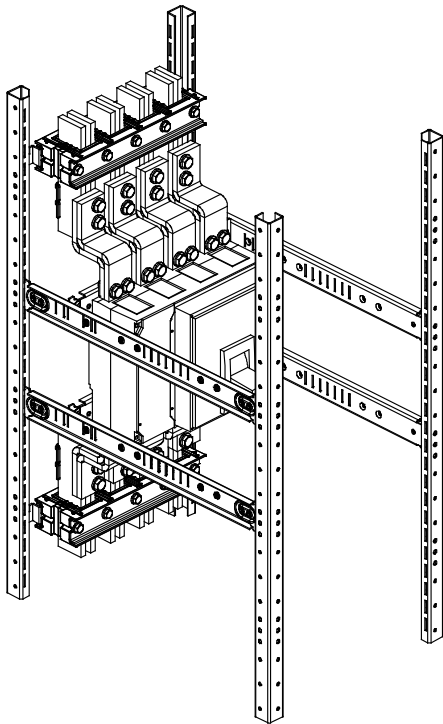
CUBIC

- (DK) Schneider Electric NS800 - NS1600 Rotary
- (S) Schneider Electric NS800 - NS1600 Rotary
- (GB) Schneider Electric NS800 - NS1600 Rotary
- (D) Schneider Electric NS800 - NS1600 Rotary
- (F) Schneider Electric NS800 - NS1600 Rotary

Date: 19 JUL 18

019

Index



Circuit breaker: Schneider Electric NS800 - NS1600 Rotary 800A - 1600A Fixed
Connection type: Front connection Front of breaker through cover/door

Circuit breaker connection: Top								
Pol.	S2000 Placement	Panel width carrier	Panel depth carrier	L1	L2	L3	N	Link to drawing
3P	Middle	2M ICCP2	3M ICCP3	8349-0011 8349-0012	8349-0021 8349-0022	8349-0031 8349-0032		
4P	Middle	2M ICCP2	3M ICCP3	8349-0211 8349-0212	8349-0221 8349-0222	8349-0231 8349-0232	8349-0241 8349-0242	
Circuit breaker connection: Bottom								
Pol.	S2000 Placement	Panel width carrier	Panel depth carrier	L1	L2	L3	N	Link to drawing
3P	Middle	2M ICCP2	3M ICCP3	8349-0031 8349-0032	8349-0021 8349-0022	8349-0011 8349-0012		
4P	Middle	2M ICCP2	3M ICCP3	8349-0241 8349-0242	8349-0231 8349-0232	8349-0221 8349-0222	8349-0211 8349-0212	

CUBIC-Modulsystem A/S
Skjoldborgsgade 21
DK-9700 Broenderslev

Tel +45 9882 2400
E-mail info@cubic.eu
Web www.cubic.eu

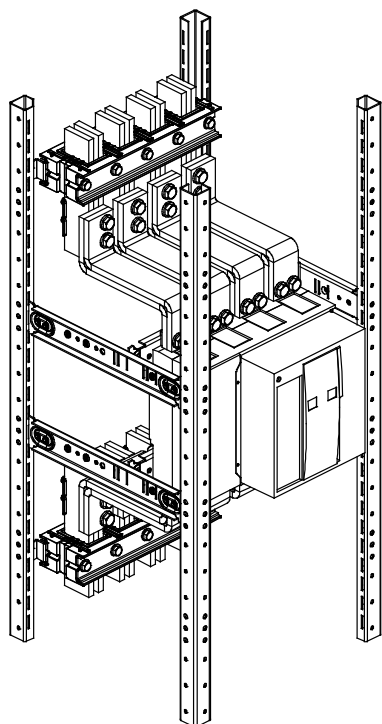
CUBIC

- DK Schneider Electric NS800 - NS1600 Motor
- S Schneider Electric NS800 - NS1600 Motor
- GB Schneider Electric NS800 - NS1600 Motor
- D Schneider Electric NS800 - NS1600 Motor
- F Schneider Electric NS800 - NS1600 Motor

Date: 19 JUL 18

020

Index



Circuit breaker: Schneider Electric NS800 - NS1600 Motor 800A - 1600A Fixed
Connection type: Front connection Front of breaker through cover/door

Circuit breaker connection: Top								
Pol.	S2000 Placement	Panel width carrier	Panel depth carrier	L1	L2	L3	N	Link to drawing
3P	Middle	2M ICCP2	2M ICCP2	8349-0111 8349-0112	8349-0121 8349-0122	8349-0131 8349-0132		
4P	Middle	2M ICCP2	2M ICCP2	8349-0311 8349-0312	8349-0321 8349-0322	8349-0331 8349-0332	8349-0341 8349-0342	

Circuit breaker connection: Bottom								
Pol.	S2000 Placement	Panel width carrier	Panel depth carrier	L1	L2	L3	N	Link to drawing
3P	Middle	2M ICCP2	2M	8349-0131 8349-0132	8349-0121 8349-0122	8349-0111 8349-0112		
4P	Middle	2M ICCP2	2M ICCP2	8349-0341 8349-0342	8349-0331 8349-0332	8349-0321 8349-0322	8349-0311 8349-0312	

CUBIC-Modulsystem A/S
Skjoldborgsgade 21
DK-9700 Broenderslev

Tel +45 9882 2400
E-mail info@cubic.eu
Web www.cubic.eu

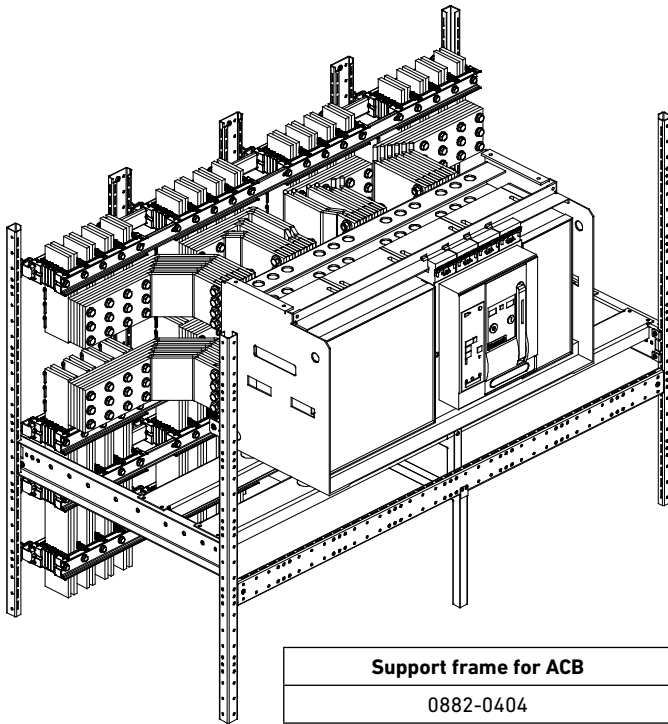
CUBIC

- DK Siemens 3WL13
- S Siemens 3WL13
- GB Siemens 3WL13
- D Siemens 3WL13
- F Siemens 3WL13

Date: 19 JUL 18

021

Index



Circuit breaker: Siemens 3WL13 6300A
Connection type: Vertical connection Front of breaker through cover/door

Circuit breaker connection: Top								
Pol.	S2000 Placement	Panel width carrier	Panel depth carrier	L1	L2	L3	N	Link to drawing
3P	Middle	8M 0119-0800	4M 0212-0400	8360-0011	8360-0021	8360-0021		
				8360-0012	8360-0022	8360-0022		
				8360-0013	8360-0023	8360-0023		
				8360-0014	8360-0024	8360-0024		
				8360-0015	8360-0025	8360-0025		
				8360-0016	8360-0026	8360-0026		
4P	Middle	8M 0119-0800	4M 0212-0400	8360-0041	8360-0021	8360-0021	8360-0011	
				8360-0042	8360-0022	8360-0022	8360-0012	
				8360-0043	8360-0023	8360-0023	8360-0013	
				8360-0044	8360-0024	8360-0024	8360-0014	
				8360-0045	8360-0025	8360-0025	8360-0015	
				8360-0046	8360-0026	8360-0026	8360-0016	
Circuit breaker connection: Bottom								
Pol.	S2000 Placement	Panel width carrier	Panel depth carrier	L1	L2	L3	N	Link to drawing
3P	Middle	8M 0119-0800	4M 0212-0400	8360-0011	8360-0021	8360-0021		
				8360-0012	8360-0022	8360-0022		
				8360-0013	8360-0023	8360-0023		
				8360-0014	8360-0024	8360-0024		
				8360-0015	8360-0025	8360-0025		
				8360-0016	8360-0026	8360-0026		
4P	Middle	8M 0119-0800	4M 0212-0400	8360-0041	8360-0021	8360-0021	8360-0011	
				8360-0042	8360-0022	8360-0022	8360-0012	
				8360-0043	8360-0023	8360-0023	8360-0013	
				8360-0044	8360-0024	8360-0024	8360-0014	
				8360-0045	8360-0025	8360-0025	8360-0015	
				8360-0046	8360-0026	8360-0026	8360-0016	

CUBIC-Modulsystem A/S
Skjoldborgsgade 21
DK-9700 Broenderslev

Tel +45 9882 2400
E-mail info@cubic.eu
Web www.cubic.eu

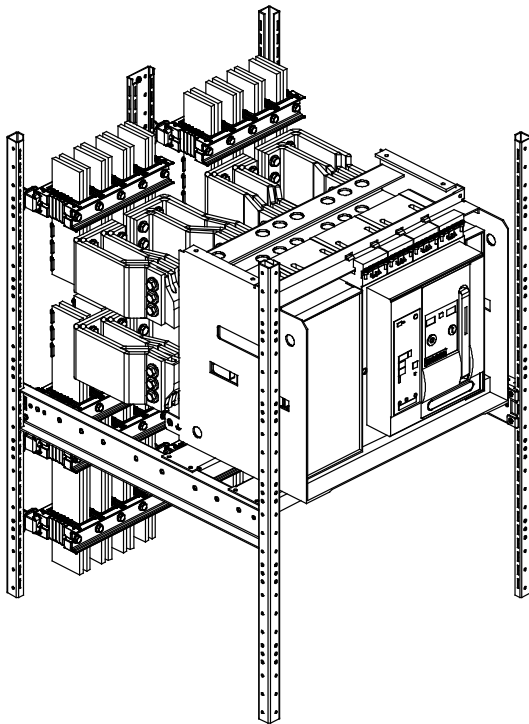
CUBIC

- (DK) Siemens 3WL12
- (S) Siemens 3WL12
- (GB) Siemens 3WL12
- (D) Siemens 3WL12
- (F) Siemens 3WL12

Date: 19 JUL 18

022

Index



Circuit breaker: Siemens 3WL12 4000A
Connection type: Vertical connection
Front of breaker through cover/door

Circuit breaker connection: Top								
Pol.	S2000 Placement	Panel width carrier	Panel depth carrier	L1	L2	L3	N	Link to drawing
3P	Middle	4M 0119-0400	4M 0212-0400	8361-0011	8361-0021	8361-0031		
				8361-0012	8361-0022	8361-0032		
				8361-0013	8361-0023	8361-0033		
				8361-0014	8361-0024	8361-0034		
4P	Middle	4M 0119-0400	4M 0212-0400	8361-0011	8361-0021	8361-0021	8361-0011	
				8361-0012	8361-0022	8361-0022	8361-0012	
				8361-0013	8361-0023	8361-0023	8361-0013	
				8361-0014	8361-0024	8361-0024	8361-0014	
Circuit breaker connection: Bottom								
Pol.	S2000 Placement	Panel width carrier	Panel depth carrier	L1	L2	L3	N	Link to drawing
3P	Middle	4M 0119-0400	4M 0212-0400	8361-0011	8361-0021	8361-0031		
				8361-0012	8361-0022	8361-0032		
				8361-0013	8361-0023	8361-0033		
				8361-0014	8361-0024	8361-0034		
4P	Middle	4M 0119-0400	4M 0212-0400	8361-0011	8361-0021	8361-0021	8361-0011	
				8361-0012	8361-0022	8361-0022	8361-0012	
				8361-0013	8361-0023	8361-0023	8361-0013	
				8361-0014	8361-0024	8361-0024	8361-0014	

CUBIC-Modulsystem A/S
Skjoldborgsgade 21
DK-9700 Broenderslev

Tel +45 9882 2400
E-mail info@cubic.eu
Web www.cubic.eu

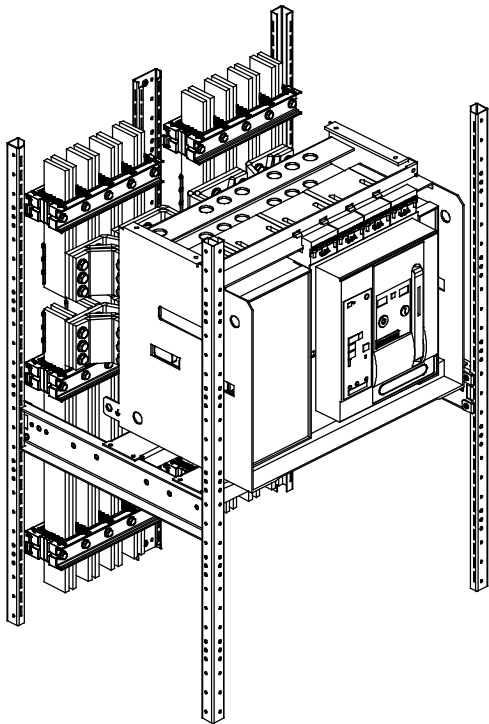
CUBIC

- (DK) Siemens 3WL12
- (S) Siemens 3WL12
- (GB) Siemens 3WL12
- (D) Siemens 3WL12
- (F) Siemens 3WL12

Date: 19 JUL 18

023

Index



Circuit breaker: Siemens 3WL12 3200A
Connection type: Vertical connection
Front of breaker through cover/door

Circuit breaker connection: Top								
Pol.	S2000 Placement	Panel width carrier	Panel depth carrier	L1	L2	L3	N	Link to drawing
3P	Middle	4M 0119-0400	3M 0212-0300	8362-0011	8362-0021	8362-0021		
				8362-0012	8362-0022	8362-0022		
				8362-0013	8362-0023	8362-0023		
4P	Middle	4M 0119-0400	3M 0212-0300	8362-0011	8362-0021	8362-0021	8362-0011	
				8362-0012	8362-0022	8362-0022	8362-0012	
				8362-0013	8362-0023	8362-0023	8362-0013	
Circuit breaker connection: Bottom								
Pol.	S2000 Placement	Panel width carrier	Panel depth carrier	L1	L2	L3	N	Link to drawing
3P	Middle	4M 0119-0400	3M 0212-0300	8362-0011	8362-0021	8362-0021		
				8362-0012	8362-0022	8362-0022		
				8362-0013	8362-0023	8362-0023		
4P	Middle	4M 0119-0400	3M 0212-0300	8362-0011	8362-0021	8362-0021	8362-0011	
				8362-0012	8362-0022	8362-0022	8362-0012	
				8362-0013	8362-0023	8362-0023	8362-0013	

CUBIC-Modulsystem A/S
Skjoldborgsgade 21
DK-9700 Broenderslev

Tel +45 9882 2400
E-mail info@cubic.eu
Web www.cubic.eu

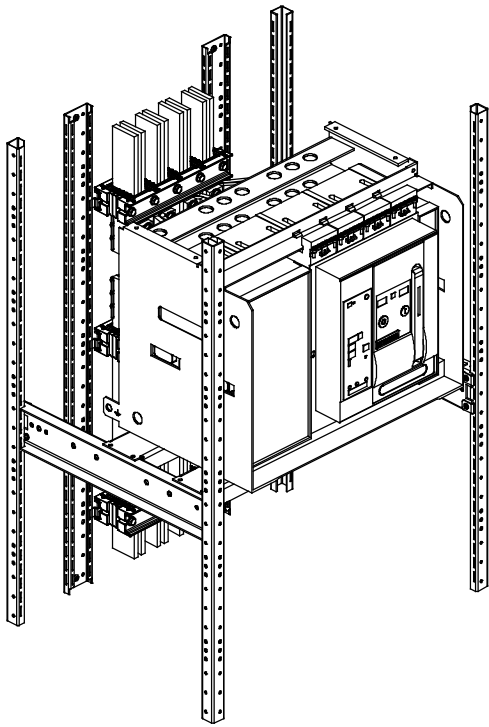
CUBIC

- DK Siemens 3WL12
- S Siemens 3WL12
- GB Siemens 3WL12
- D Siemens 3WL12
- F Siemens 3WL12

Date: 19 JUL 18

024

Index



Circuit breaker: Siemens 3WL12 2000A
Connection type: Vertical connection
Front of breaker through cover/door

Circuit breaker connection: Top								
Pol.	S2000 Placement	Panel width carrier	Panel depth carrier	L1	L2	L3	N	Link to drawing
3P	Left	3M 0119-0300	3M 0212-0300	2x 8363-0001 8363-0011 8363-0012	8363-0021 8363-0022	8363-0031 8363-0032		
3P	Right	3M 0119-0300	3M 0212-0300	8363-0111 8363-0112	8363-0121 8363-0122	8363-0131 8363-0132		
4P	Middle	4M 0119-0400	3M 0212-0300	8363-0211 8363-0212	8363-0221 8363-0222	8363-0221 8363-0222	8363-0211 8363-0212	

Circuit breaker connection: Bottom								
Pol.	S2000 Placement	Panel width carrier	Panel depth carrier	L1	L2	L3	N	Link to drawing
3P	Left	3M 0119-0300	3M 0212-0300	2x 8363-0001 8363-0011 8363-0012	8363-0021 8363-0022	8363-0031 8363-0032		
3P	Right	3M 0119-0300	3M 0212-0300	8363-0111 8363-0112	8363-0121 8363-0122	8363-0131 8363-0132		
4P	Middle	4M 0119-0400	3M 0212-0300	8363-0211 8363-0212	8363-0221 8363-0222	8363-0221 8363-0222	8363-0211 8363-0212	

CUBIC-Modulsystem A/S
Skjoldborgsgade 21
DK-9700 Broenderslev

Tel +45 9882 2400
E-mail info@cubic.eu
Web www.cubic.eu

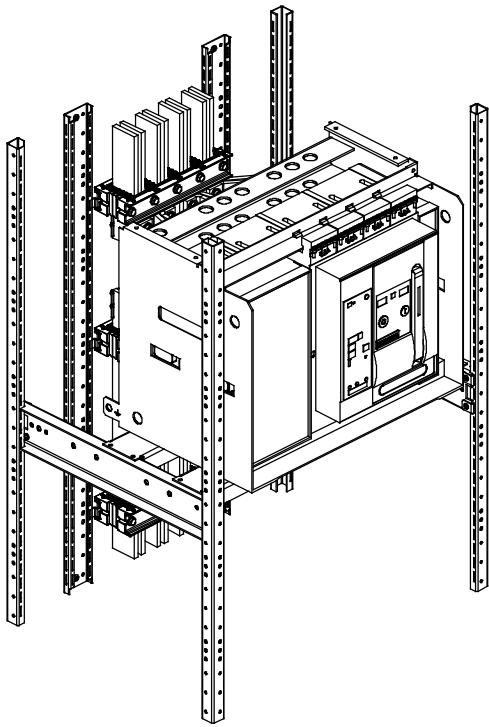
CUBIC

- DK Siemens 3WL12
- S Siemens 3WL12
- GB Siemens 3WL12
- D Siemens 3WL12
- F Siemens 3WL12

Date: 19 JUL 18

025

Index



Circuit breaker: Siemens 3WL12 1600A
Connection type: Vertical connection
Front of breaker through cover/door

Circuit breaker connection: Top								
Pol.	S2000 Placement	Panel width carrier	Panel depth carrier	L1	L2	L3	N	Link to drawing
3P	Left	3M 0119-0300	3M 0212-0300	2x 8364-0001 8364-0011 8364-0012	8364-0021 8364-0022	8364-0031 8364-0032		
3P	Right	3M 0119-0300	3M 0212-0300	8364-0111 8364-0112	8364-0121 8364-0122	8364-0131 8364-0132		
4P	Middle	4M 0119-0400	3M 0212-0300	8364-0211 8364-0212	8364-0221 8364-0222	8364-0221 8364-0222	8364-0211 8364-0212	

Circuit breaker connection: Bottom								
Pol.	S2000 Placement	Panel width carrier	Panel depth carrier	L1	L2	L3	N	Link to drawing
3P	Left	3M 0119-0300	3M 0212-0300	2x 8364-0001 8364-0011 8364-0012	8364-0021 8364-0022	8364-0031 8364-0032		
3P	Right	3M 0119-0300	3M 0212-0300	8364-0111 8364-0112	8364-0121 8364-0122	8364-0131 8364-0132		
4P	Middle	4M 0119-0400	3M 0212-0300	8364-0211 8364-0212	8364-0221 8364-0222	8364-0221 8364-0222	8364-0211 8364-0212	

CUBIC-Modulsystem A/S
Skjoldborgsgade 21
DK-9700 Broenderslev

Tel +45 9882 2400
E-mail info@cubic.eu
Web www.cubic.eu

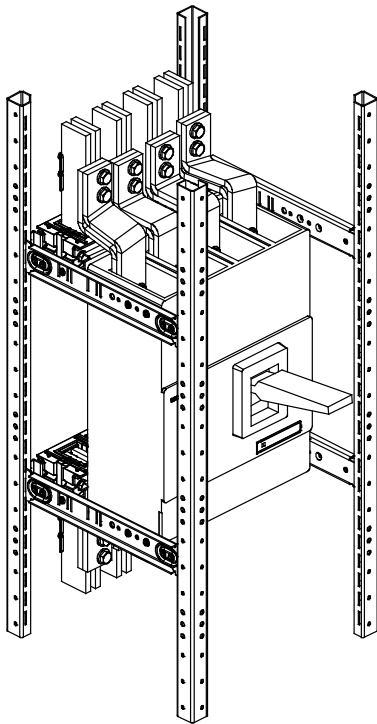
CUBIC

- DK **Siemens VL1250 / VL800**
- S **Siemens VL1250 / VL800**
- GB **Siemens VL1250 / VL800**
- D **Siemens VL1250 / VL800**
- F **Siemens VL1250 / VL800**

Date: 19 JUL 18

026

Index



Circuit breaker: Siemens VL1250 / VL800 1250A Fixed
Connection type: Front connection Front of breaker through cover/door

Circuit breaker connection: Top								
PoL.	S2000 Placement	Panel width carrier	Panel depth carrier	L1	L2	L3	N	Link to drawing
3P	Middle	2M ICCP2	2M ICCP2	8365-0011 8365-0012	8365-0021 8365-0022	8365-0031 8365-0032		
4P	Middle	2M ICCP2	2M ICCP2	8365-0011 8365-0012	8365-0021 8365-0022	8365-0031 8365-0032	8365-0041 8365-0042	

Circuit breaker connection: Bottom								
PoL.	S2000 Placement	Panel width carrier	Panel depth carrier	L1	L2	L3	N	Link to drawing
3P	Middle	2M ICCP2	2M ICCP2	8365-0011 8365-0012	8365-0021 8365-0022	8365-0031 8365-0032		
4P	Middle	2M ICCP2	2M ICCP2	8365-0011 8365-0012	8365-0021 8365-0022	8365-0031 8365-0032	8365-0041 8365-0042	

CUBIC-Modulsystem A/S
Skjoldborgsgade 21
DK-9700 Broenderslev

Tel +45 9882 2400
E-mail info@cubic.eu
Web www.cubic.eu

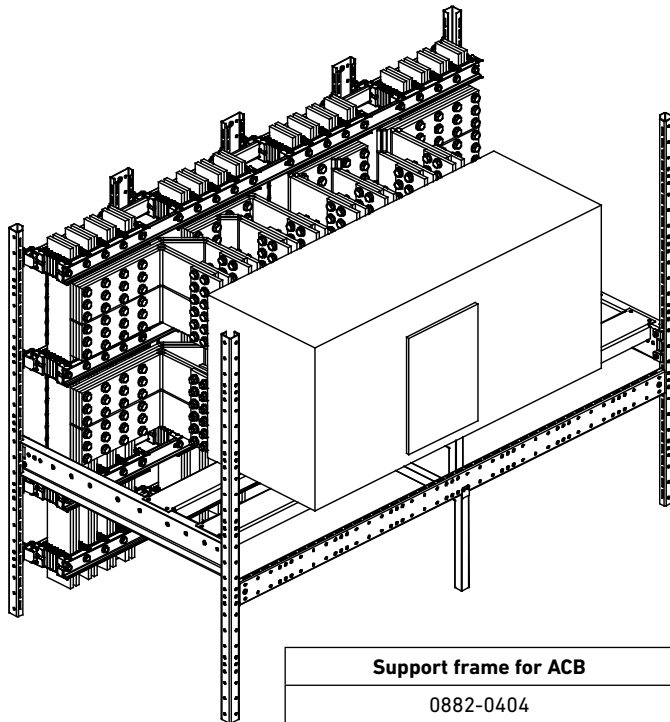
CUBIC

- Ⓚ Terasaki AR630SB
- Ⓢ Terasaki AR630SB
- ⓖⓅ Terasaki AR630SB
- ⓓ Terasaki AR630SB
- ⓕ Terasaki AR630SB

Date: 19 JUL 18

027

Index



Circuit breaker: Terasaki AR630SB 6300A
Connection type: Vertical connection Front of breaker through cover/door

Circuit breaker connection: Top								
Pol.	S2000 Placement	Panel width carrier	Panel depth carrier	L1	L2	L3	N	Link to drawing
3P	Middle	8M 0119-0800	4M 0212-0400	4x 8370-0001 2x 8370-0002 2x 8370-0011 2x 8370-0012 2x 8370-0013 2x 8370-0014	4x 8370-0001 2x 8370-0002 2x 8370-0003 2x 8370-0021 2x 8370-0022 2x 8370-0023 2x 8370-0024	4x 8370-0001 2x 8370-0002 2x 8370-0011 2x 8370-0012 2x 8370-0013 2x 8370-0014		
4P	Middle	8M 0119-0800	4M 0212-0400	4x 8370-0001 2x 8370-0002 2x 8370-0111 2x 8370-0112 2x 8370-0113 2x 8370-0114	4x 8370-0001 2x 8370-0002 2x 8370-0121 2x 8370-0122 2x 8370-0123 2x 8370-0124	4x 8370-0001 2x 8370-0002 2x 8370-0121 2x 8370-0122 2x 8370-0123 2x 8370-0124	4x 8370-0001 2x 8370-0002 2x 8370-0111 2x 8370-0112 2x 8370-0113 2x 8370-0114	
Circuit breaker connection: Bottom								
Pol.	S2000 Placement	Panel width carrier	Panel depth carrier	L1	L2	L3	N	Link to drawing
3P	Middle	8M 0119-0800	4M 0212-0400	4x 8370-0001 2x 8370-0002 2x 8370-0011 2x 8370-0012 2x 8370-0013 2x 8370-0014	4x 8370-0001 2x 8370-0002 2x 8370-0003 2x 8370-0021 2x 8370-0022 2x 8370-0023 2x 8370-0024	4x 8370-0001 2x 8370-0002 2x 8370-0011 2x 8370-0012 2x 8370-0013 2x 8370-0014		
4P	Middle	8M 0119-0800	4M 0212-0400	4x 8370-0001 2x 8370-0002 2x 8370-0111 2x 8370-0112 2x 8370-0113 2x 8370-0114	4x 8370-0001 2x 8370-0002 2x 8370-0121 2x 8370-0122 2x 8370-0123 2x 8370-0124	4x 8370-0001 2x 8370-0002 2x 8370-0121 2x 8370-0122 2x 8370-0123 2x 8370-0124	4x 8370-0001 2x 8370-0002 2x 8370-0111 2x 8370-0112 2x 8370-0113 2x 8370-0114	

CUBIC-Modulsystem A/S
Skjoldborgsgade 21
DK-9700 Broenderslev

Tel +45 9882 2400
E-mail info@cubic.eu
Web www.cubic.eu

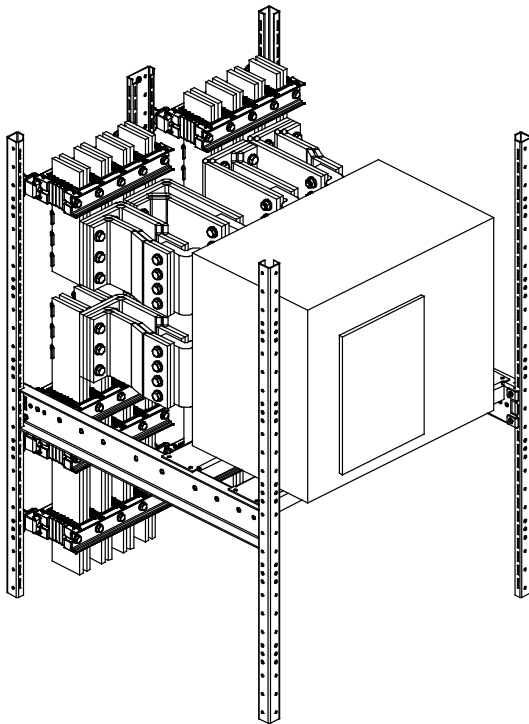
CUBIC

- (DK) Terasaki AR440SB
- (S) Terasaki AR440SB
- (GB) Terasaki AR440SB
- (D) Terasaki AR440SB
- (F) Terasaki AR440SB





Date: 19 JUL 18

028

Index



Circuit breaker: Terasaki AR440SB 4000A
Connection type: Vertical connection
Front of breaker through cover/door

Circuit breaker connection: Top								
Pol.	S2000 Placement	Panel width carrier	Panel depth carrier	L1	L2	L3	N	Link to drawing
3P	Middle	4M 0119-0400	4M 0212-0400	8371-0011	8371-0021	8371-0021		
				8371-0012	8371-0022	8371-0022		
				8371-0013	8371-0023	8371-0023		
				8371-0014	8371-0024	8371-0024		
4P	Middle	4M 0119-0400	4M 0212-0400	8371-0011	8371-0021	8371-0021	8371-0041	
				8371-0012	8371-0022	8371-0022	8371-0042	
				8371-0013	8371-0023	8371-0023	8371-0043	
				8371-0014	8371-0024	8371-0024	8371-0044	
Circuit breaker connection: Bottom								
Pol.	S2000 Placement	Panel width carrier	Panel depth carrier	L1	L2	L3	N	Link to drawing
3P	Middle	4M 0119-0400	4M 0212-0400	8371-0011	8371-0021	8371-0021		
				8371-0012	8371-0022	8371-0022		
				8371-0013	8371-0023	8371-0023		
				8371-0014	8371-0024	8371-0024		
4P	Middle	4M 0119-0400	4M 0212-0400	8371-0011	8371-0021	8371-0021	8371-0041	
				8371-0012	8371-0022	8371-0022	8371-0042	
				8371-0013	8371-0023	8371-0023	8371-0043	
				8371-0014	8371-0024	8371-0024	8371-0044	

CUBIC-Modulsystem A/S
Skjoldborgsgade 21
DK-9700 Broenderslev

Tel +45 9882 2400
E-mail info@cubic.eu
Web www.cubic.eu

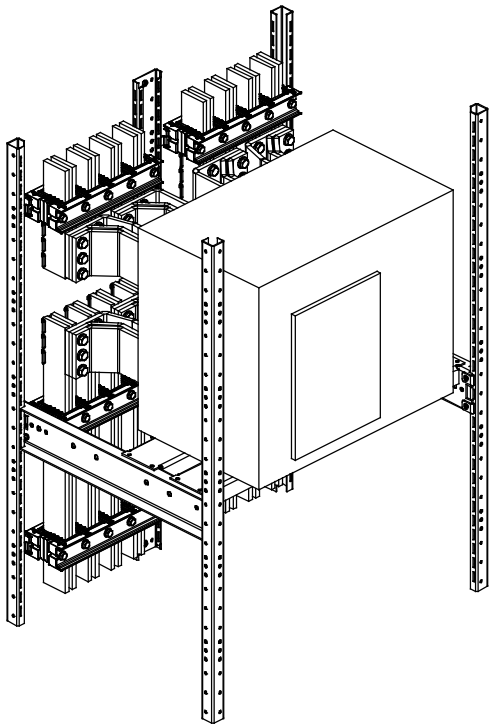
CUBIC

- DK Terasaki AR332SH
- S Terasaki AR332SH
- GB Terasaki AR332SH
- D Terasaki AR332SH
- F Terasaki AR332SH

Date: 19 JUL 18

029

Index



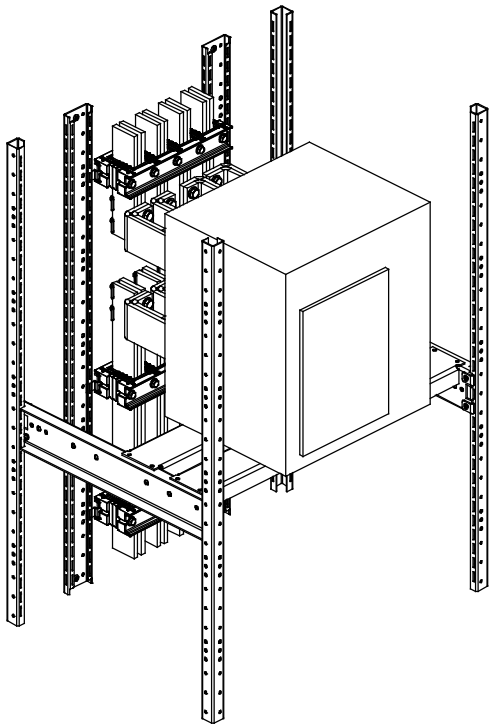
Circuit breaker: Terasaki AR332SH 3200A
Connection type: Vertical connection
Front of breaker through cover/door

Circuit breaker connection: Top								
Pol.	S2000 Placement	Panel width carrier	Panel depth carrier	L1	L2	L3	N	Link to drawing
3P	Middle	4M 0119-0400	3M 0212-0300	8372-0011	8372-0021	8372-0021		
				8372-0012	8372-0022	8372-0022		
				8372-0013	8372-0023	8372-0023		
4P	Middle	4M 0119-0400	3M 0212-0300	8372-0011	8372-0021	8372-0021	8372-0011	
				8372-0012	8372-0022	8372-0022	8372-0012	
				8372-0013	8372-0023	8372-0023	8372-0013	
Circuit breaker connection: Bottom								
Pol.	S2000 Placement	Panel width carrier	Panel depth carrier	L1	L2	L3	N	Link to drawing
3P	Middle	4M 0119-0400	3M 0212-0300	8372-0011	8372-0021	8372-0021		
				8372-0012	8372-0022	8372-0022		
				8372-0013	8372-0023	8372-0023		
4P	Middle	4M 0119-0400	3M 0212-0300	8372-0011	8372-0021	8372-0021	8372-0011	
				8372-0012	8372-0022	8372-0022	8372-0012	
				8372-0013	8372-0023	8372-0023	8372-0013	

CUBIC-Modulsystem A/S
Skjoldborgsgade 21
DK-9700 Broenderslev

Tel +45 9882 2400
E-mail info@cubic.eu
Web www.cubic.eu

CUBIC



Circuit breaker: Terasaki AR220H 2000A
Connection type: Vertical connection
Front of breaker through cover/door

Circuit breaker connection: Top								
Pol.	S2000 Placement	Panel width carrier	Panel depth carrier	L1	L2	L3	N	Link to drawing
3P	Left	3M 0119-0300	3M 0212-0300	8373-0011 8373-0012	8373-0021 8373-0022	8373-0031 8373-0032		
3P	Right	3M 0119-0300	3M 0212-0300	8373-0031 8373-0032	8373-0021 8373-0022	8373-0011 8373-0012		
4P	Middle	4M 0119-0400	3M 0212-0300	8373-0111 8373-0112	8373-0121 8373-0122	8373-0121 8373-0122	8373-0111 8373-0112	

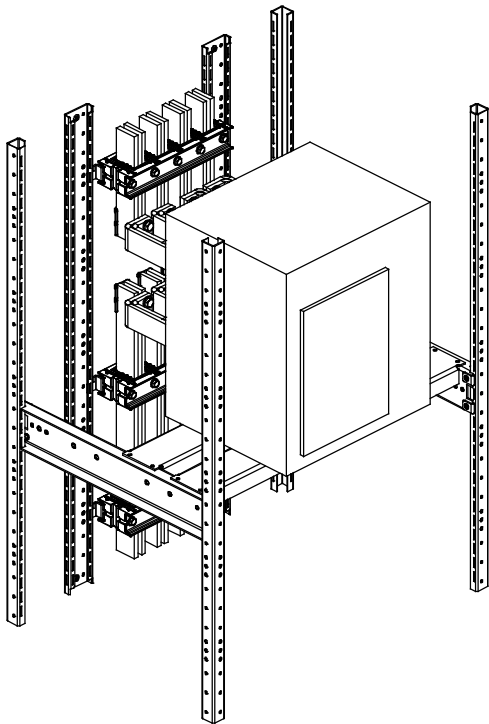
Circuit breaker connection: Bottom								
Pol.	S2000 Placement	Panel width carrier	Panel depth carrier	L1	L2	L3	N	Link to drawing
3P	Left	3M 0119-0300	3M 0212-0300	8373-0011 8373-0012	8373-0021 8373-0022	8373-0031 8373-0032		
3P	Right	3M 0119-0300	3M 0212-0300	8373-0031 8373-0032	8373-0021 8373-0022	8373-0011 8373-0012		
4P	Middle	4M 0119-0400	3M 0212-0300	8373-0111 8373-0112	8373-0121 8373-0122	8373-0121 8373-0122	8373-0111 8373-0112	

- DK Terasaki AR216S
- S Terasaki AR216S
- GB Terasaki AR216S
- D Terasaki AR216S
- F Terasaki AR216S

Date: 19 JUL 18

031

Index



Circuit breaker: Terasaki AR216S 1600A
Connection type: Vertical connection
Front of breaker through cover/door

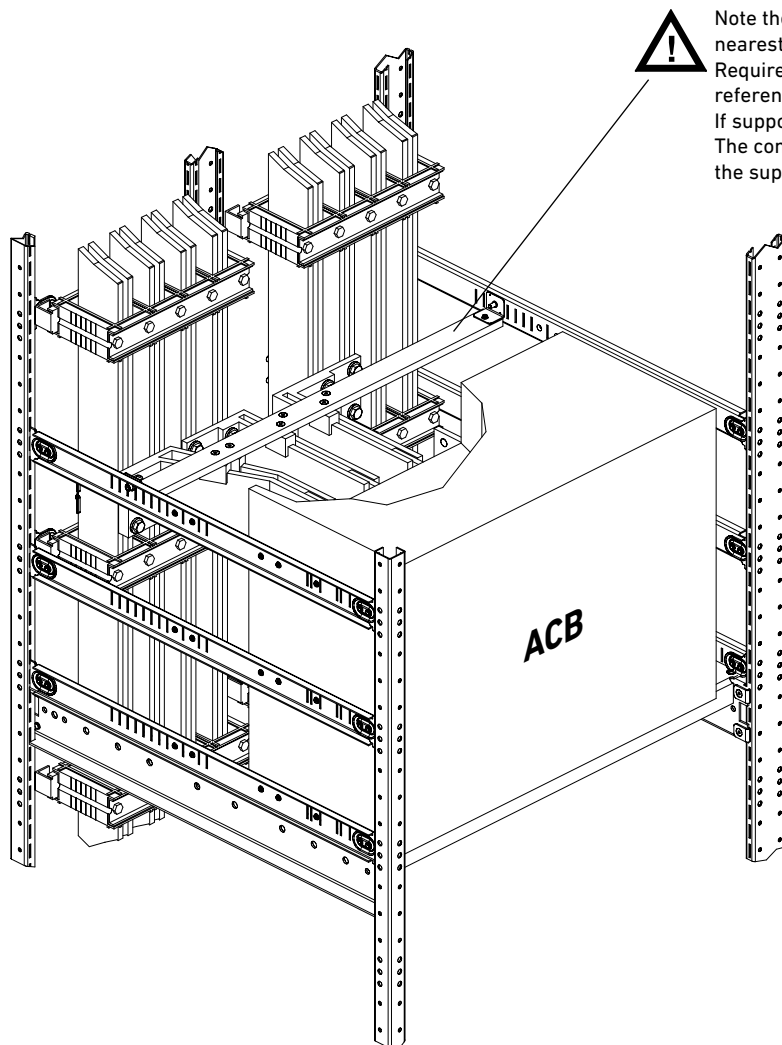
Circuit breaker connection: Top								
Pol.	S2000 Placement	Panel width carrier	Panel depth carrier	L1	L2	L3	N	Link to drawing
3P	Left	3M 0119-0300	3M 0212-0300	8374-0011 8374-0012	8374-0021 8374-0022	8374-0031 8374-0032		
3P	Right	3M 0119-0300	3M 0212-0300	8374-0031 8374-0032	8374-0021 8374-0022	8374-0011 8374-0012		
4P	Middle	4M 0119-0400	3M 0212-0300	8374-0111 8374-0112	8374-0121 8374-0122	8374-0121 8374-0122	8374-0111 8374-0112	

Circuit breaker connection: Bottom								
Pol.	S2000 Placement	Panel width carrier	Panel depth carrier	L1	L2	L3	N	Link to drawing
3P	Left	3M 0119-0300	3M 0212-0300	8374-0011 8374-0012	8374-0021 8374-0022	8374-0031 8374-0032		
3P	Right	3M 0119-0300	3M 0212-0300	8374-0031 8374-0032	8374-0021 8374-0022	8374-0011 8374-0012		
4P	Middle	4M 0119-0400	3M 0212-0300	8374-0111 8374-0112	8374-0121 8374-0122	8374-0121 8374-0122	8374-0111 8374-0112	

CUBIC-Modulsystem A/S
Skjoldborgsgade 21
DK-9700 Broenderslev

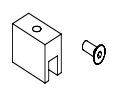
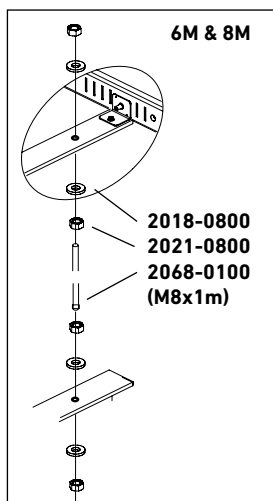
Tel +45 9882 2400
E-mail info@cubic.eu
Web www.cubic.eu

CUBIC

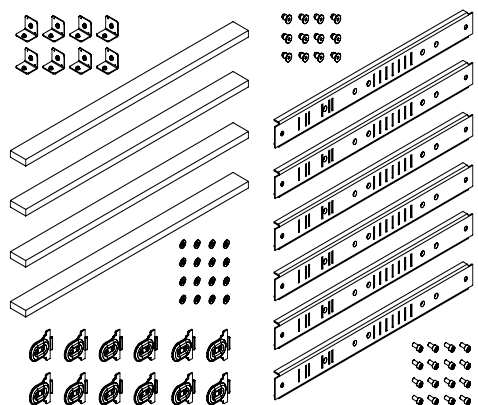


Note the manufacturers' guidelines regarding distance to nearest support.
 Required distances are different for each brand and with reference to type of breaker and short circuit level.
 If support is required the underneath items can be used.
 The connections are tested by CUBIC-Modulsystem A/S with the supports where required.

ACB busbar support, com.
4701-0010s (cu 10 mm)
4701-0015s (cu 15 mm)
4701-0020s (cu 20 mm)
4701-0030s (cu 30 mm)

ACB support, complete	
4700-0302s	4700-0404s
4700-0303s	4700-0603s
4700-0304s	4700-0604s
4700-0402s	4700-0803s
4700-0403s	4700-0804s



Dividing plates in polycarbonate:

Note minimum clearance distances in air according to IEC 61439-1 table 1.

If the clearance distance is too short, the underneath dividing plates in polycarbonate can be used between the connections. The connections are tested by CUBIC-Modulsystem A/S with the dividing plates where required.

