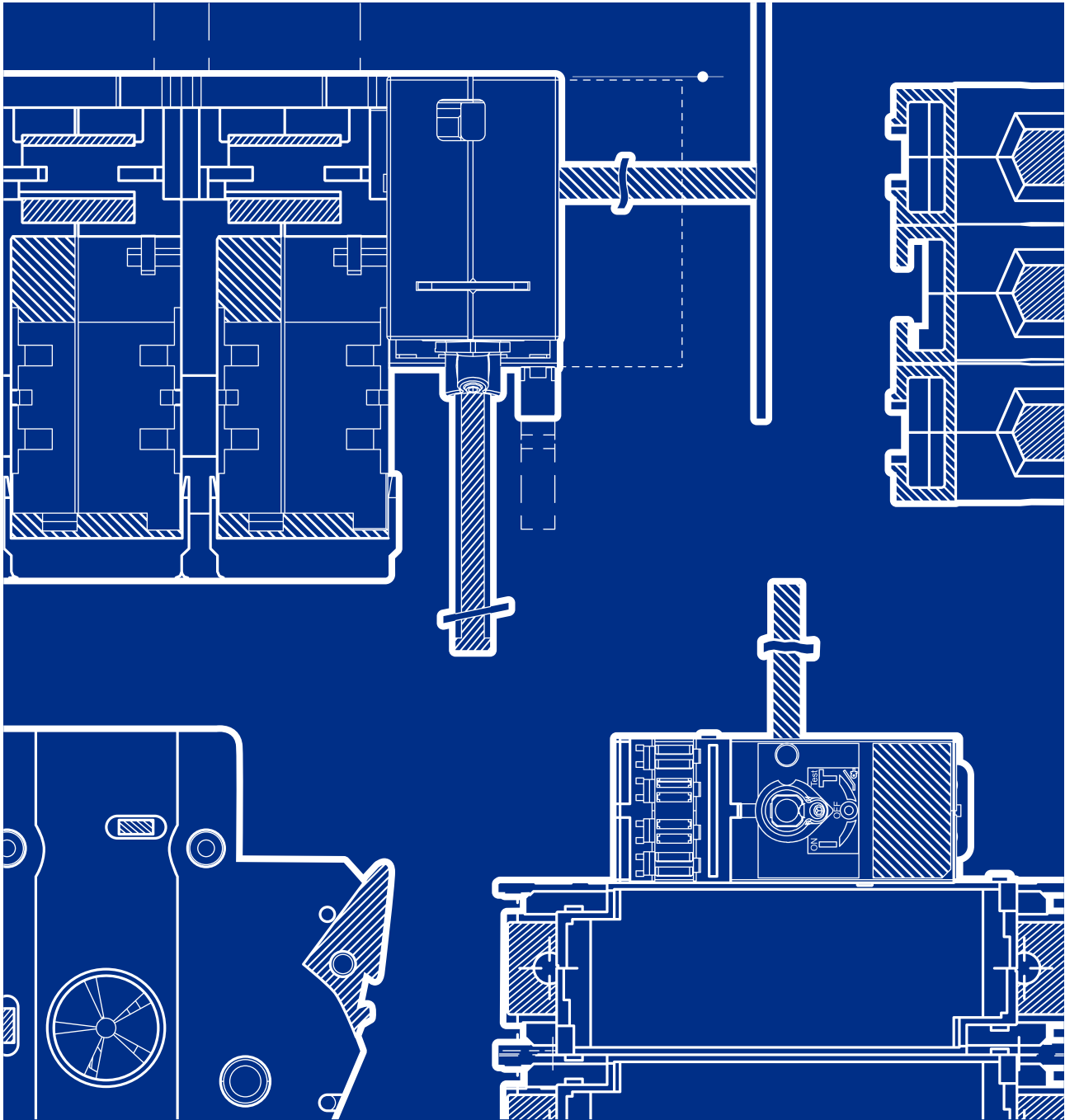
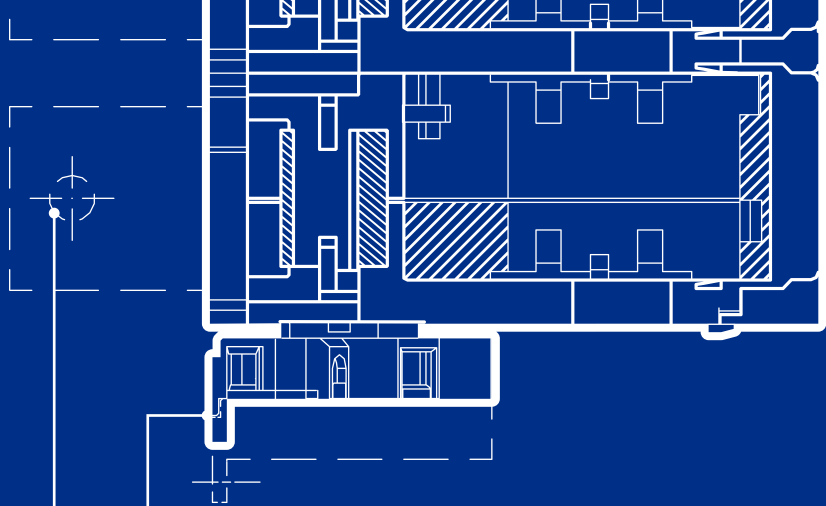
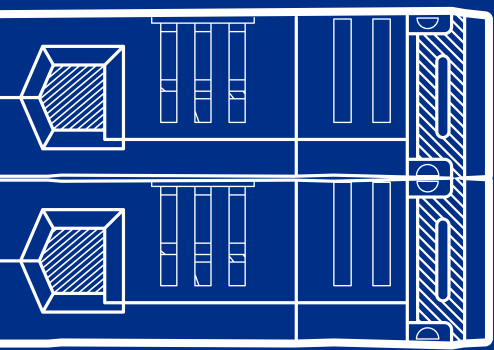


Power Distribution and Protection

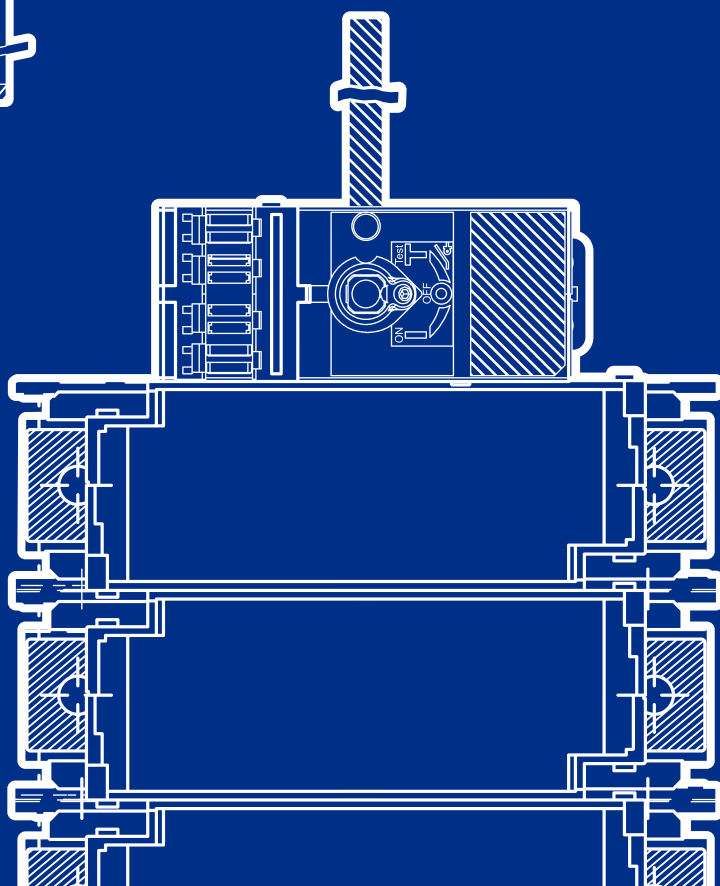
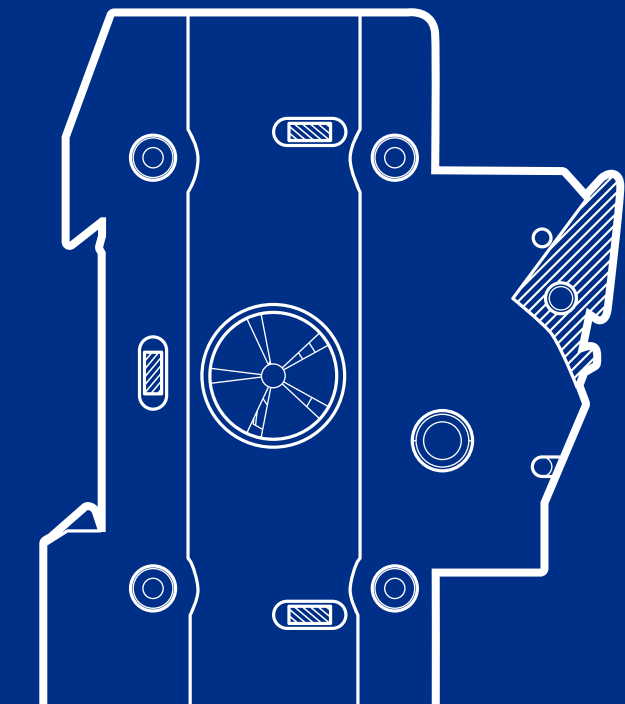
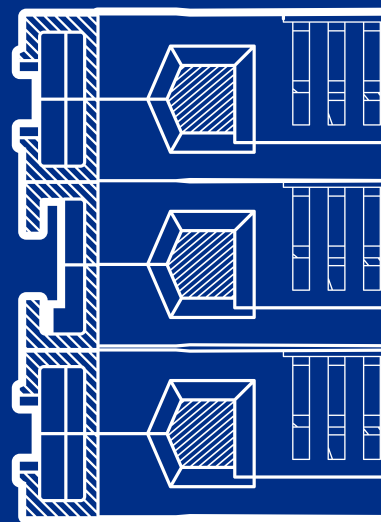
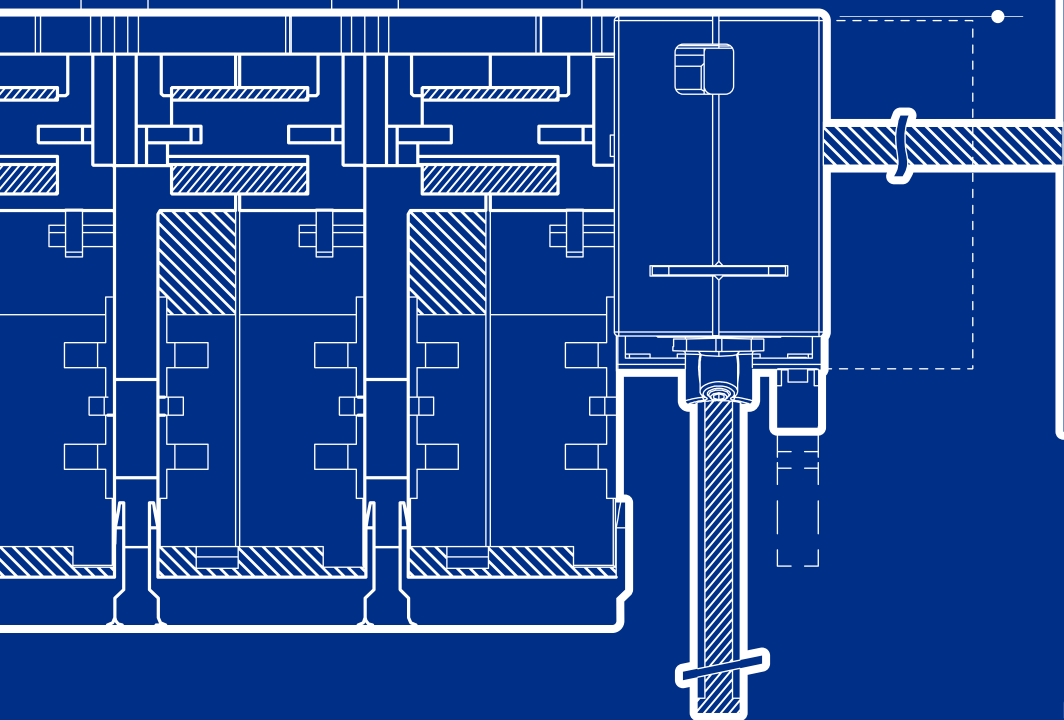
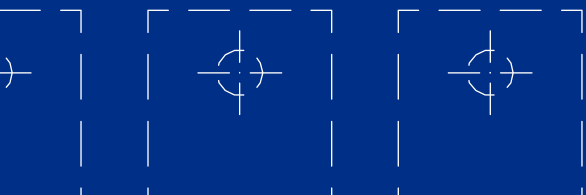
Circuit Protection



Fuses and Bases



2 1



2 Fuses and Bases

DIN Cylindrical Fuses 500 V AC / 690 V AC Selection Guide	4
DIN Cylindrical Fuse Holders 690 V AC Selection Guide	5
DIN Fuse Link 500 V AC / 690 V AC Selection Guide	6
DIN Fuse Link Bases and Fuse Switches Selection Guide	6
BS Fuse Links Selection Guide	8
BS Fuse Links Base Selection Guide	8
DIN Fuse Link Accessories	43
DIN Fuse Bases and Accessories	44
DIN Fuse Switch Disconnectors	50
DIN Fuse Switch Disconnect - Accessories	63
DIN Switch Fuses	65
DIN Switch Fuse Accessories	75
BS Standard Switch Fuses	115
BS Standard Switch Fuse Accessories	126

DIN Cylindrical Fuses 500 V AC / 690 V AC Selection Guide

gG



aM



gR



Class	gG	aM	gR
Application	General and Motor Protection	Motor Protection	Semiconductor Protection
Current Rating	1 to 100 A	1 to 100 A	1 to 100 A
Fault Interruption	80 to 200 kA	80 to 200 kA	80 to 200 kA
Voltage Rating	415 to 690 V AC	415 to 690 V AC	415 to 690 V AC
Striker	No	No	No
Page Number	9	9	9



DIN Cylindrical Fuse Holders 690 V AC Selection Guide

DIN Rail Mountable



Switch Function Toggle switch, then remove fuse

Current Rating Suits cylindrical fuse links 1 to 100 A
Complies to DIN standard

Short Circuit Capacity Fuse links 120 kA

Voltage Rating 90 V AC / 600 V DC

Page Number **18**

DIN Fuse Link 500 V AC / 690 V AC Selection Guide

N000 / 00



N1



N2

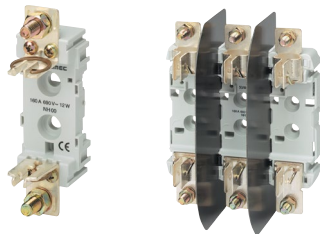


Class	gG	gG	gG
Application	General Protection	General Protection	General Protection
Current Ratings	6 A to 160 A	16 A to 250 A	35 A to 400 A
Fault Interruption	120 kA	120 kA	120 kA
Voltage Rating	500 V	500 V	500 V
Striker	Standard stock without	Standard stock without	Standard stock without
Page Number	22	22	22

DIN Fuse Link Bases and Fuse Switches Selection Guide

Select a fuse base to fit

DIN Fuse Bases



DIN Fuse Switch Disconnects



Switch Function	No switch function	Push / Pull handle to switch
Utilisation Category	N/A	Up to AC - 23 B @ 400 V AC - 22 B @ 690 V
Current Rating	160 A to 630 A	100 A to 630 A
Short Circuit Capacity	100 kA	50 kA @ 690 V AC (gG)
Voltage Rating	690 V	690 V
Page Number	44	50

N3

gG

General Protection

315 A to 800 A

120 kA

500 V

Standard stock without

22**N4**

gG

General Protection

800 A to 1250 A

120 kA

500 V

Standard stock without

22**690 V DIN Range**

gG and aM

General and Motor Protection

2 A to 630 A

120 kA

690 V

Optional

33**DIN Standard Switch Fuses (SSF DN)**

Rotatory handle switch

Up to AC - 23 B @ 690 V
DC - 23 B @ 440 V DC

63 A to 1250 A

120 kA @ 415 V AC,
80 kA @ 690 V AC

690 V

65



BS Fuse Links Selection Guide

Clip-In Offset Tag



Bolt-In Offset Tag



Bolt-In Centre Tag



Class	gG and gM	gG and gM	gG and gM
Application	General and Motor Protection	General and Motor Protection	General and Motor Protection
Current Rating	2 A to 63 A	2 A to 200 A	2 A to 1250 A
Fault Interruption	80 kA	80 kA	80 kA
Voltage Rating	415 to 500 V	415 to 500 V	415 to 550 V
Striker	No	No	No
Page Number	86	92	103

BS Fuse Links Base Selection Guide

Select a fuse base to fit

NV



NC



BS SSF (SSFBS)



Switch Function	Push / Pull	Push / Pull	Rotary Handle Switch
BS Fuse Type	Clip-in Offset	Bolt-in	Bolt-in
Current Rating	2 to 63 A	2 to 125 A	2 to 1250 A
Short Circuit Capacity	80 kA @ 550 V AC	80 kA @ 550 V AC	20 kA @ 415 V AC, 80 kA @ 690 V AC
Voltage Rating	550 V AC	550 / 690 V AC	690 V AC
Page Number	80	83	115



DIN Cylindrical Fuses - AC



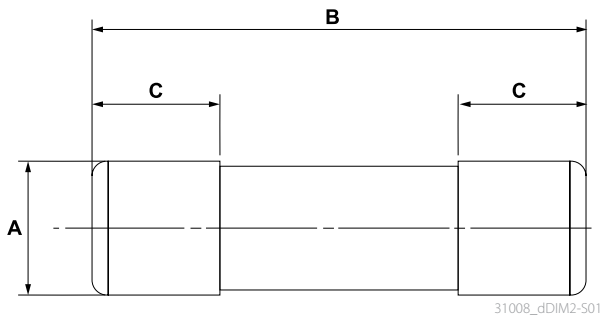
- ✓ Complies with IEC 60269-2
- ✓ 1 to 125 A range
- ✓ Type gG for general, cable, line and motor protection
- ✓ Type aM specifically for motor protection
- ✓ Type gR specifically for semiconductor protection
- ✓ 80 and 120 fault interruption capacities
- ✓ 415 V AC to 690 V AC ratings



General

Un, Nominal Operational Voltage, AC	400 / 500 / 690 V AC	
Ue, Rated Operational Voltage, AC	400 / 500 / 690 V AC	
Ue, Rated Operational Voltage, DC, Max	440	V DC
Uimp, Impulse Withstand Voltage	6	kV
Maximum Operating Temperature With Derating	70	°C max
Standards Compliance	IEC 60269-1 IEC 60269-2	
Certifications	CE UL	

Dimensions for Cylindrical Fuse Links (mm)



Size (mm)	A	B	C	Weight (kg)
10 x 38	10	38	8.5	0.06
14 x 51	15	51	11	0.19
22 x 58	22	58	16	0.5

DIN Cylindrical Fuses - gG, No Striker

Fuse Rating (A)	Cartridge Size	AC Voltage Rating (V AC)	Fuse Type	Breaking Capacity @ Rated Voltage (kA)	Power Cons. (W)	Weight (kg)	Striker	Catalogue No.
1	10 x 38	500	gG	120	0.5	0.06	No Striker	31008
2	10 x 38	500	gG	120	0.6	0.06	No Striker	31182
4	10 x 38	500	gG	120	0.7	0.06	No Striker	31183
6	10 x 38	500	gG	120	0.8	0.06	No Striker	31184
8	10 x 38	500	gG	120	0.9	0.06	No Striker	31009
10	10 x 38	500	gG	120	1	0.06	No Striker	31185
12	10 x 38	500	gG	120	1.3	0.06	No Striker	31010
16	10 x 38	500	gG	120	1.6	0.06	No Striker	31186
20	10 x 38	500	gG	120	2	0.06	No Striker	31187
25	10 x 38	500	gG	120	2.6	0.06	No Striker	31188
32	10 x 38	415	gG	120	2.9	0.06	No Striker	31189
2	14 x 51	690	gG	80	0.8	0.019	No Striker	31011
6	14 x 51	690	gG	80	1	0.019	No Striker	31017
10	14 x 51	690	gG	80	1.3	0.019	No Striker	31190
16	14 x 51	690	gG	80	20	0.019	No Striker	31191
20	14 x 51	690	gG	80	2.5	0.019	No Striker	31192
25	14 x 51	690	gG	80	3.3	0.019	No Striker	31193
32	14 x 51	500	gG	80	3.5	0.019	No Striker	31194
40	14 x 51	500	gG	120	4.8	0.019	No Striker	31195
50	14 x 51	415	gG	120	4.9	0.019	No Striker	31196
16	22 x 58	690	gG	80	2.3	0.05	No Striker	31018
20	22 x 58	690	gG	80	2.8	0.05	No Striker	31019
25	22 x 58	690	gG	80	3.6	0.05	No Striker	31197
32	22 x 58	690	gG	80	3.7	0.05	No Striker	31198
40	22 x 58	690	gG	80	4.5	0.05	No Striker	31199
50	22 x 58	690	gG	80	5.2	0.05	No Striker	31200
63	22 x 58	690	gG	80	6.9	0.05	No Striker	31201
80	22 x 58	690	gG	80	7.8	0.05	No Striker	31202
100	22 x 58	500	gG	120	8.6	0.05	No Striker	31203

Fuse Rating (A)	Cartridge Size	AC Voltage Rating (V AC)	Fuse Type	Breaking Capacity @ Rated Voltage (kA)	Power Cons. (W)	Weight (kg)	Striker	Catalogue No.
125	22 x 58	400	gG	120	11.4	0.05	No Striker	31204

DIN Cylindrical Fuses - gG, With Striker

Fuse Rating (A)	Cartridge Size	AC Voltage Rating (V AC)	Fuse Type	Breaking Capacity @ Rated Voltage (kA)	Power Cons. (W)	Weight (kg)	Striker	Catalogue No.
4	14 x 51	500	gG	120	1.8	0.019	With Striker	60520004
16	14 x 51	500	gG	120	2.1	0.019	With Striker	60520016
20	14 x 51	500	gG	120	2.6	0.019	With Striker	60520020
25	14 x 51	500	gG	120	2.9	0.019	With Striker	60520025
32	22 x 58	500	gG	120	0.3	0.05	With Striker	60520032
40	22 x 58	500	gG	120	0.5	0.05	With Striker	60520040
50	22 x 58	500	gG	120	0.65	0.05	With Striker	60520050

DIN Cylindrical Fuses - aM, No Striker

Fuse Rating (A)	Cartridge Size	AC Voltage Rating (V AC)	Fuse Type	Breaking Capacity @ Rated Voltage (kA)	Power Cons. (W)	Weight (kg)	Striker	Catalogue No.
1	10 x 38	690	aM	120	0.7	0.019	No Striker	60130001
4	10 x 38	690	aM	120	0.8	0.019	No Striker	60130004
6	10 x 38	690	aM	120	0.85	0.05	No Striker	60130006
16	10 x 38	690	aM	120	3.6	0.05	No Striker	60130016
20	10 x 38	690	aM	120	3.7	0.05	No Striker	60130020
1	14 x 51	690	aM	120	6.9	0.05	No Striker	60230001
4	14 x 51	690	aM	120	8.6	0.05	No Striker	60230004
6	14 x 51	690	aM	120	3.5	0.05	No Striker	60230006
8	14 x 51	690	aM	120	4.8	0.05	No Striker	60230008
10	14 x 51	690	aM	120	4.9	0.05	No Striker	60230010
16	14 x 51	690	aM	120	2.3	0.05	No Striker	60230016

DIN Cylindrical Fuses - aM, With Striker

Fuse Rating (A)	Cartridge Size	AC Voltage Rating (V AC)	Fuse Type	Breaking Capacity @ Rated Voltage (kA)	Power Cons. (W)	Weight (kg)	Striker	Catalogue No.
2	22 x 58	500	aM	120	0.75	0.05	With Striker	60530002
4	22 x 58	500	aM	120	0.85	0.05	With Striker	60530004
6	22 x 58	500	aM	120	1	0.05	With Striker	60530006
16	22 x 58	500	aM	120	1.4	0.05	With Striker	60530016
20	22 x 58	500	aM	120	1.7	0.05	With Striker	60530020
32	22 x 58	500	aM	120	2	0.05	With Striker	60530032
40	22 x 58	500	aM	120	2.6	0.05	With Striker	60530040

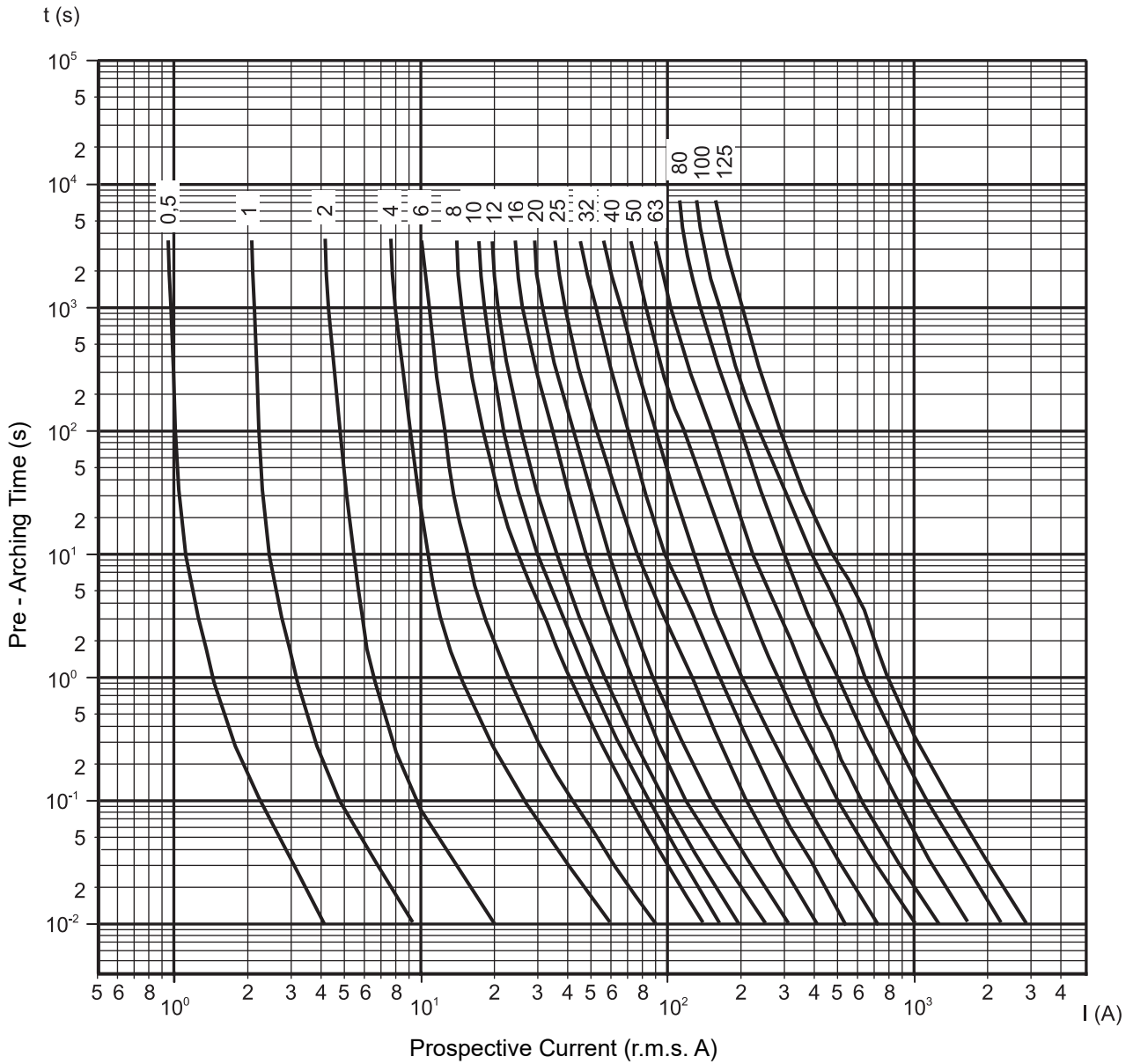
DIN Cylindrical Fuses - gR, No Striker

Fuse Rating (A)	Cartridge Size	AC Voltage Rating (V AC)	Fuse Type	Breaking Capacity @ Rated Voltage (kA)	Power Cons. (W)	Weight (kg)	Striker	Catalogue No.
1	10 x 38	690	gR	120	0.9	0.06	No Striker	31205
2	10 x 38	690	gR	120	1	0.06	No Striker	31206
4	10 x 38	690	gR	120	1.1	0.06	No Striker	31207
6	10 x 38	690	gR	120	1.6	0.06	No Striker	31208
10	10 x 38	690	gR	120	2.1	0.06	No Striker	31209
12	10 x 38	690	gR	120	3.1	0.06	No Striker	31210
16	10 x 38	690	gR	120	4.4	0.06	No Striker	31211
20	10 x 38	690	gR	120	5.8	0.06	No Striker	31212
25	10 x 38	690	gR	120	6.8	0.06	No Striker	31213
30	10 x 38	690	gR	120	8.2	0.06	No Striker	31214
10	14 x 51	690	gR	120	2.6	0.019	No Striker	31215



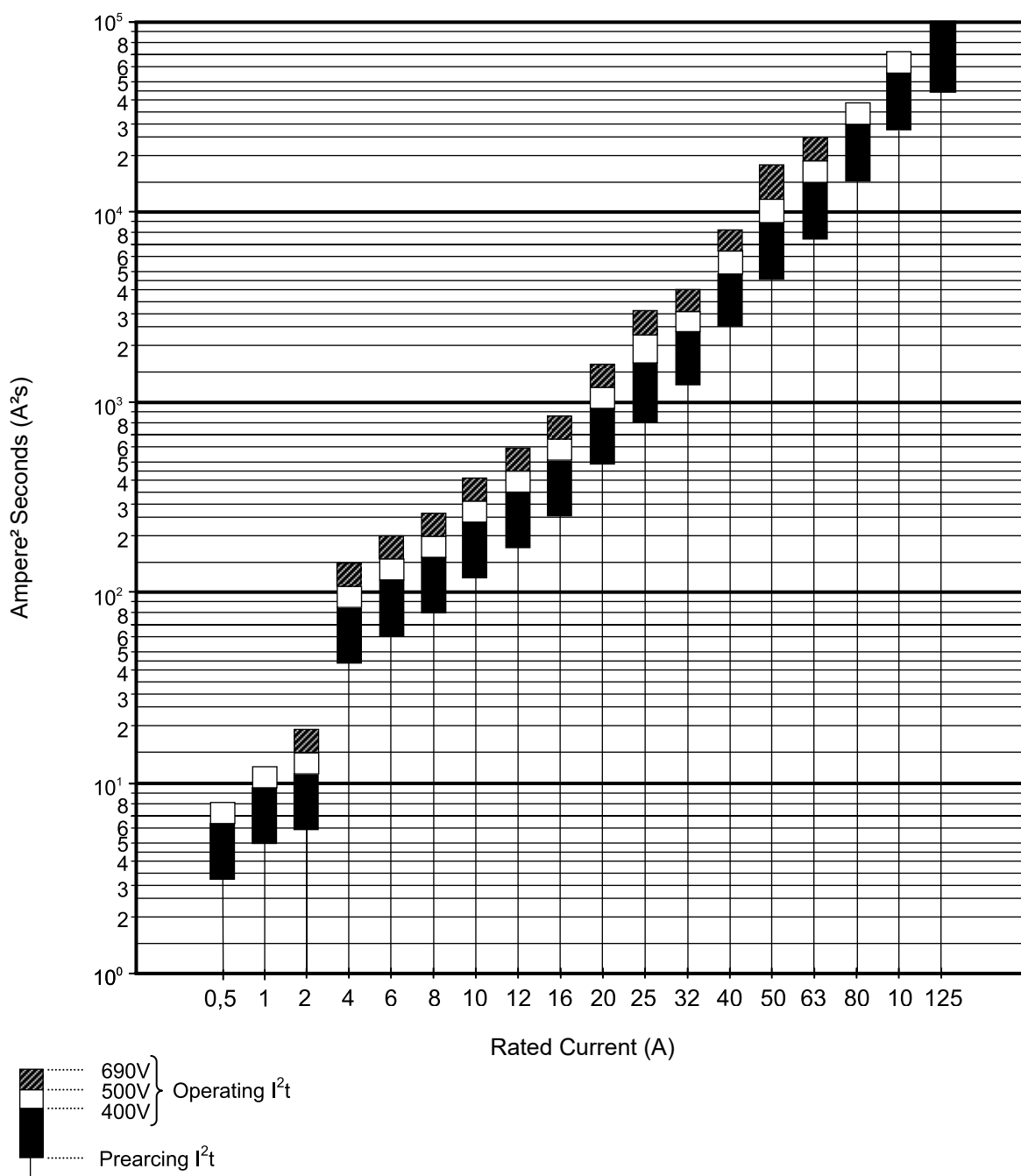
Time-Current Curves, Class gG Fuse Links

Fuses and Bases





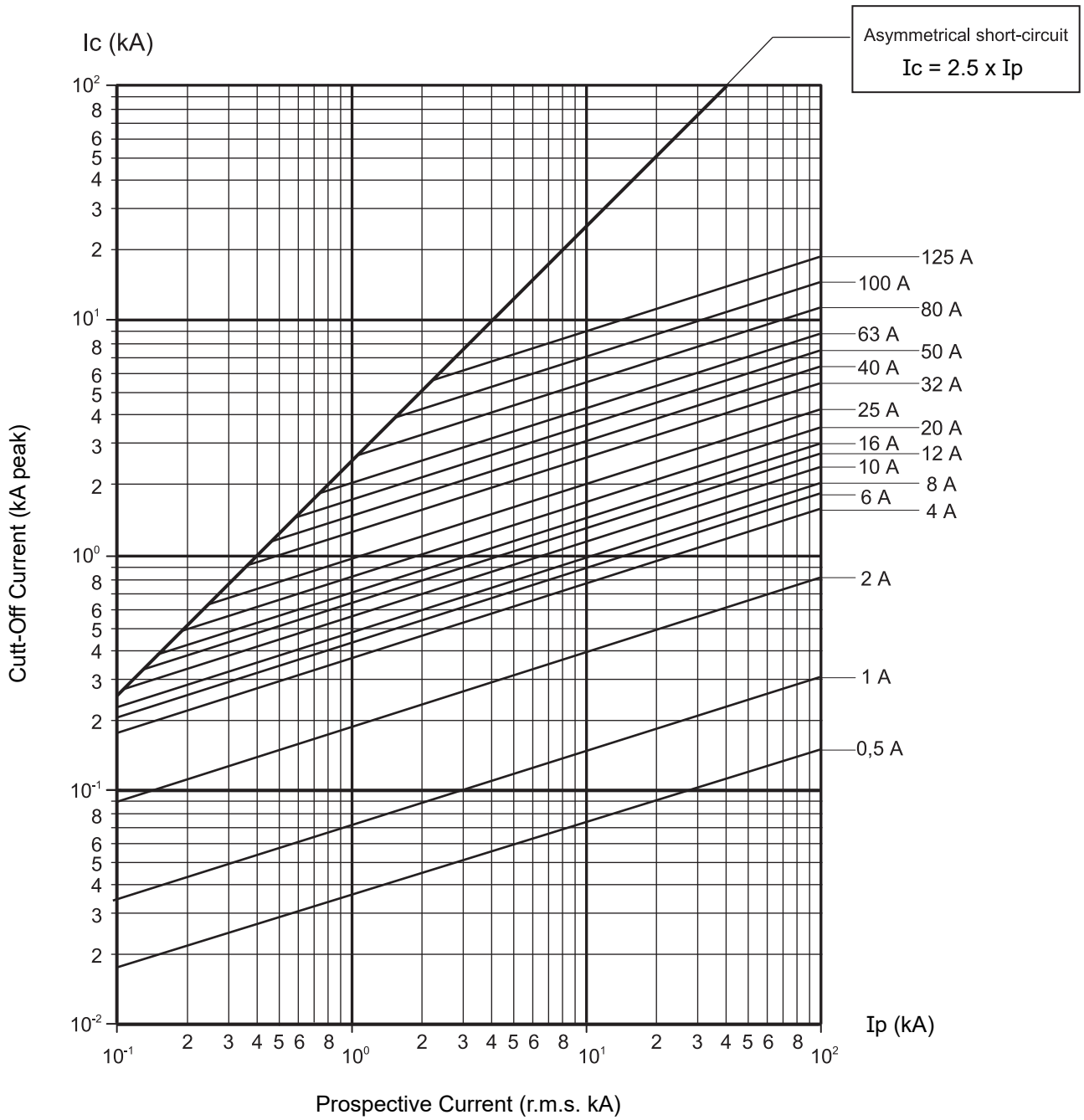
I²t Values - Class gG Fuse Links





Cut-Off Characteristics - Class of gG Fuse Links

Fuses and Bases





Compatible Wöhner Cylindrical Fuse Holders

	31110	31115	31120
Holder Types, 1, 2, and 3 Pole	31112	31117	31122
	31113	31118	31123
Fuse Sizes by Fuse Holder Type	10 x 38	14 x 51	22 x 58
According to Standard	AS / NZS 60947-3, IEC 60947-3, EN 60947-3, VDE 0660 part 107		
Current Type	AC (50 / 60 Hz) / DC	AC (50 / 60 Hz) / DC	AC (50 / 60 Hz) / DC
Maximum Rated Operating Voltage (U _e)	690V AC / 440V DC	690V AC / 440V DC	690 V AC / 440 V DC
Rated Insulation Voltage (U _i)	800 V	800 V	800 V
Rated Surge Withstand Capacity (U _{imp})	6 kV	6 kV	6 kV
Rated Maximum Operating Current (I _e)	32 A	50 A	100 A
Application Category: Types 1P, 1P+N, 2P	AC-22B (400 V)	AC-22B (400 V)	AC-20B (690 V)
Application Category: Types 3P, 3P+N	AC-22B (690 V)	AC-21B (690 V)	AC-20B (690 V)
Conditional Rated Short-Circuit Current (AC) Types: 1P, 1P+N, 2P	100 kA (500 V) *	100 kA (400 V) *	100 kA (500 V) *
Conditional Rated Short-Circuit Current (AC) Types: 3P, 3P+N	100 kA (500 V) *	100 kA (400 V) *	100 kA (500 V) *
Power Consumption gG Fuse	3 W	5 W	9 W
Power Consumption, Semi-Conductor Protection, gR Fuse	4.3 W (10 mm ² , 25 A)	6.5 W (25 mm ² , 40 A)	11 W (50 mm ² , 80 A)
Mounting Method to EN 60715	Clip on DIN rail mtg	Clip on DIN rail mtg	Clip on DIN rail mtg

* gG fuse types tested to IEC 60269-2

DIN Cylindrical Fuse Holders 690 V AC



- ✓ Toggle to disconnect circuit, then safely remove the isolated fuses
- ✓ Suits cylindrical fuse links 1 A to 100 A as per IEC / EN 60269-2120 kA fault rating
- ✓ Maximum operating voltage 690 V AC / 600 V DC
- ✓ Cable connection up to 25 mm² for wide range of installations
- ✓ Standard MCB profile to match other DIN profile electrical equipment
- ✓ Halogen-free for personnel protection in case of fire
- ✓ Complies with IEC 60947-1:2007 + A1:2010 + A2:2014 and IEC 60947-3:2008 + A1:2012 + A2:2015
- ✓ DIN rail mount
- ✓ IP20



General

Un, Nominal Operational Voltage, AC	690	V AC
--	-----	------

Ue, Rated Operational Voltage, AC	690	V AC
--	-----	------

Ue, Rated Operational Voltage, DC, Max	440	V DC
---	-----	------

Uimp, Impulse Withstand Voltage	8	kV
--	---	----

Rated Peak Withstand Current 550 V	80	kA
---	----	----

Maximum Operating Temperature With Derating	70	°C max
--	----	--------

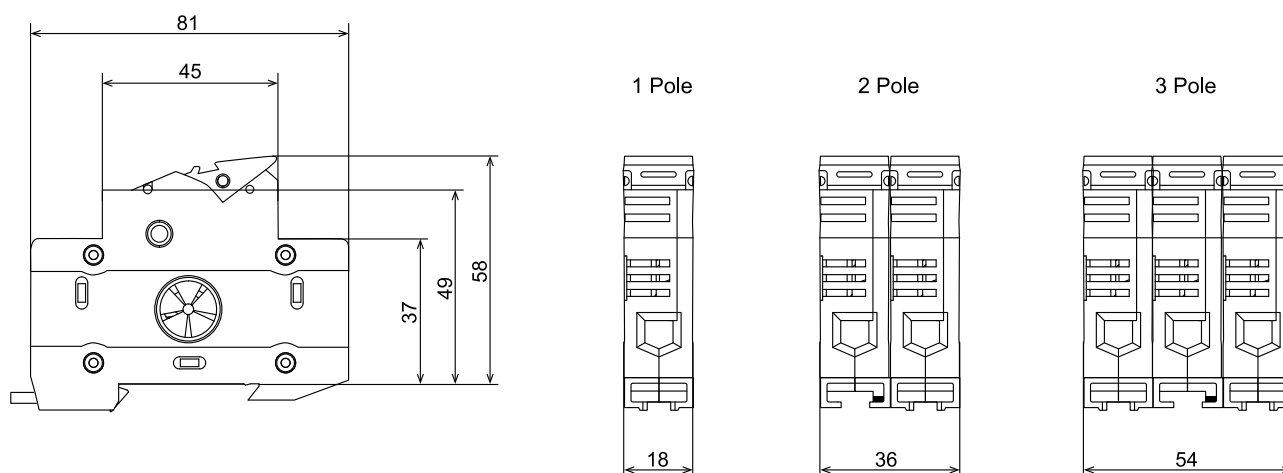
IP Rating	IP20
------------------	------

Standards Compliance	IEC 60947-1 IEC 60947-3 AS/NZS 60947-3 AS/NZS 60269-1:2005
-----------------------------	---

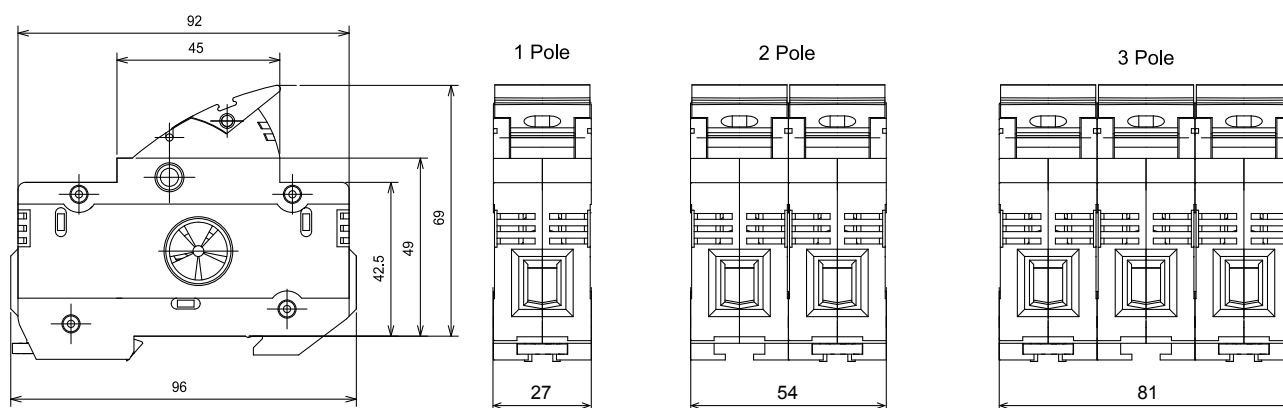
Certifications	CCC CSA UL CE
-----------------------	------------------------

Service Information	Product is not repairable. Please contact your local NHP sales representative for assistance.
----------------------------	---

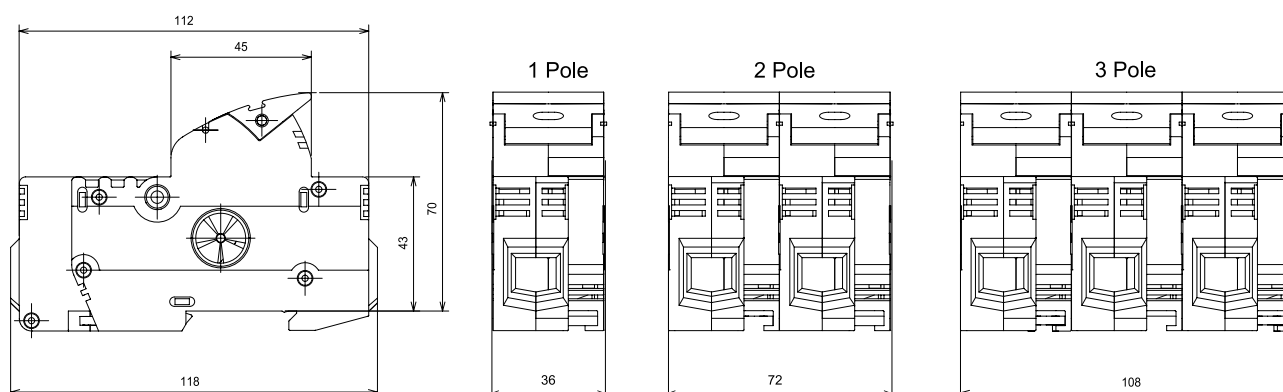
Dimensions for 32 A Fuse Holders (mm)



Dimensions for 50 A Fuse Holders (mm)



Dimensions for 100 A Fuse Holders (mm)





Fuse Rating (A)	Poles	H x W x D (mm)	Ue Max (V AC)	Ue Max (V DC)	Catalogue No.
32	1	81 x 18 x 58	690	440	31110
32	2	81 x 36 x 58	690	440	31112
32	3	81 x 54 x 58	690	440	31113
32	4	81 x 72 x 58	690	440	31114
50	1	96 x 27 x 69	690	440	31115
50	2	96 x 54 x 69	690	440	31117
50	3	96 x 81 x 69	690	440	31118
100	1	112 x 36 x 70	690	440	31120
100	2	112 x 72 x 70	690	440	31122
100	3	112 x 108 x 70	690	440	31123

Rating Chart

Fuse Sizes by Fuse Holder	Type	10 x 38	14 x 51	22 x 58
According To Standard	IEC / EN	IEC 30947-3, EN 60947-3, VDE 0660 part 107		
Current Type	-	AC (50 / 60 Hz) / DC	AC (50 / 60 Hz) / DC	AC (50 / 60 Hz) / DC
Maximum Rated Operating Voltage (U _e)	IEC / EN	690 V AC / 440 V DC	690 V AC / 440 V DC	690 V AC / 440 V DC
Rated Insulation Voltage (U _i)	IEC / EN	800 V	800 V	800 V
Rated Surge Withstand Capacity (U _{imp})	IEC / EN	6 kV	6 kV	6 kV
Rated operating current (I _e)	IEC / EN	32 A	50 A	100 A
Application Category, Version 1P, 1P+N, 2P	IEC / EN	AC-22B (400 V)	AC - 22B (400 V)	AC-20B (690 V)
Application Category, Version 3P, 3P+N	IEC / EN	AC-22B (690 V)	AC-21B (690 V)	AC-20B (690 V)
Conditional Rated Short-Circuit Current (AC) Version 1P, 1P+N, 2P	IEC / EN	100 kA (500 V)*	100 kA (400 V)*	100 kA (500 V)*
Conditional Rated Short-Circuit Current (AC) Version 3P, 3P+N	IEC / EN	100 kA (500 V)*	100 kA (400 V)*	100 kA (500 V)*
Allowable Power Dissipation for Each Fuse, Standard Version	-	3 W (gG)	5 W (gG)	9.5 W (gG)
Allowable Power Dissipation for Each Fuse, Semi-Conductor Protected Version	-	4.3 W (aR / gR) (10 mm ² , 25 A)	6.5 W (aR / gR) (10 mm ² , 40 A)	11 W (aR / gR) (10 mm ² , 80 A)

* Type tested with fuses of characteristic gL / gG (IEC 60269-2)

** Type tested with fuses of characteristic gPV (IEC 60269-6)

DIN Fuse Links 500 V AC -gG



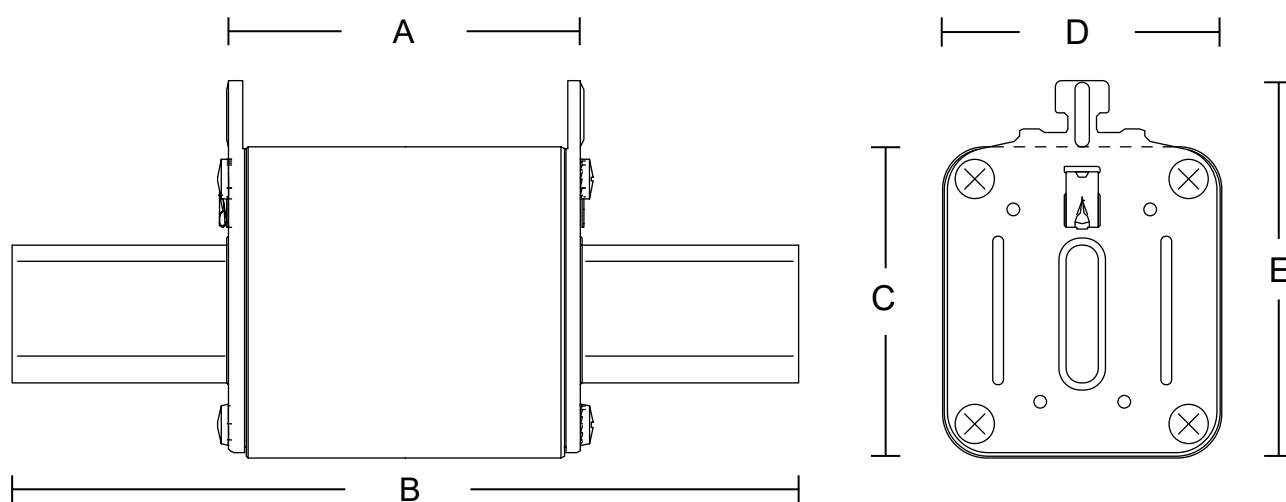
- ✓ Complies with AS/NZS 60269.2.1:2005 and IEC 60269-2-1
- ✓ 120 kA fault interruption capacity
- ✓ Type gG for general, cable, line and motor protection
- ✓ Sizes: 000, 1, 2, 3 and 4
- ✓ Dimensions according to DIN43 620 parts 1-4
- ✓ Fuses include a RED blown fuse indicator in top of fuse body
- ✓ Lead-free contact blades
- ✓ Non-isolated standard application metal gripping lugs
- ✓ Low temperature rise
- ✓ Low power losses
- ✓ 500 V AC rated.



General

Un, Nominal Operational Voltage, AC	500	V AC
Ue, Rated Operational Voltage, AC	500	V AC
Ue, Rated Operational Voltage, DC, Max	250 / 440	V DC
Uimp, Impulse Withstand Voltage	8	kV
Maximum Operating Temperature With Derating	70	°C max
Standards Compliance	EN 60269-2-1 IEC 60269-2-1 AS/NZS 60269-2-1 HD 60269-2	
Certifications	CE	

Dimensions for NH / Din Fuse Links (N000-N4) (mm)



Series	Size Reference	A Body Length	B Body + Tags	C Body Height	D Body Width	E Body Height + Gripping Lugs
N000 6 – 125	000	49.0	78.0	40.0	21.0	52.5
N00 125 – 160	00	49.0	78.0	48.0	30.0	58.5
N1 16 – 160	1	65.0	135.0	46.0	28.0	65.0
N1 200 – 250	1	65.0	135.0	46.0	46.0	58.5
N2 36 – 160	2	65.0	150.0	46.0	28.0	72.5
N2 200 – 250	2	65.0	150.0	47.5	47.5	70.0
N2 300 – 400	2	65.0	150.0	56.0	56.0	71.0
N3 315 – 400	3	68.0	150.0	56.5	57.0	84.0
N3 425 – 630	3	66.0	150.0	66.5	67.0	84.0
N4 800	4	90	203	110	105	121
N4 900	4	90	203	110	105	121
N4 1000	4	90	203	110	105	121
N4 1250	4	90	203	110	105	121
N4 1600	4	90	203	110	105	121



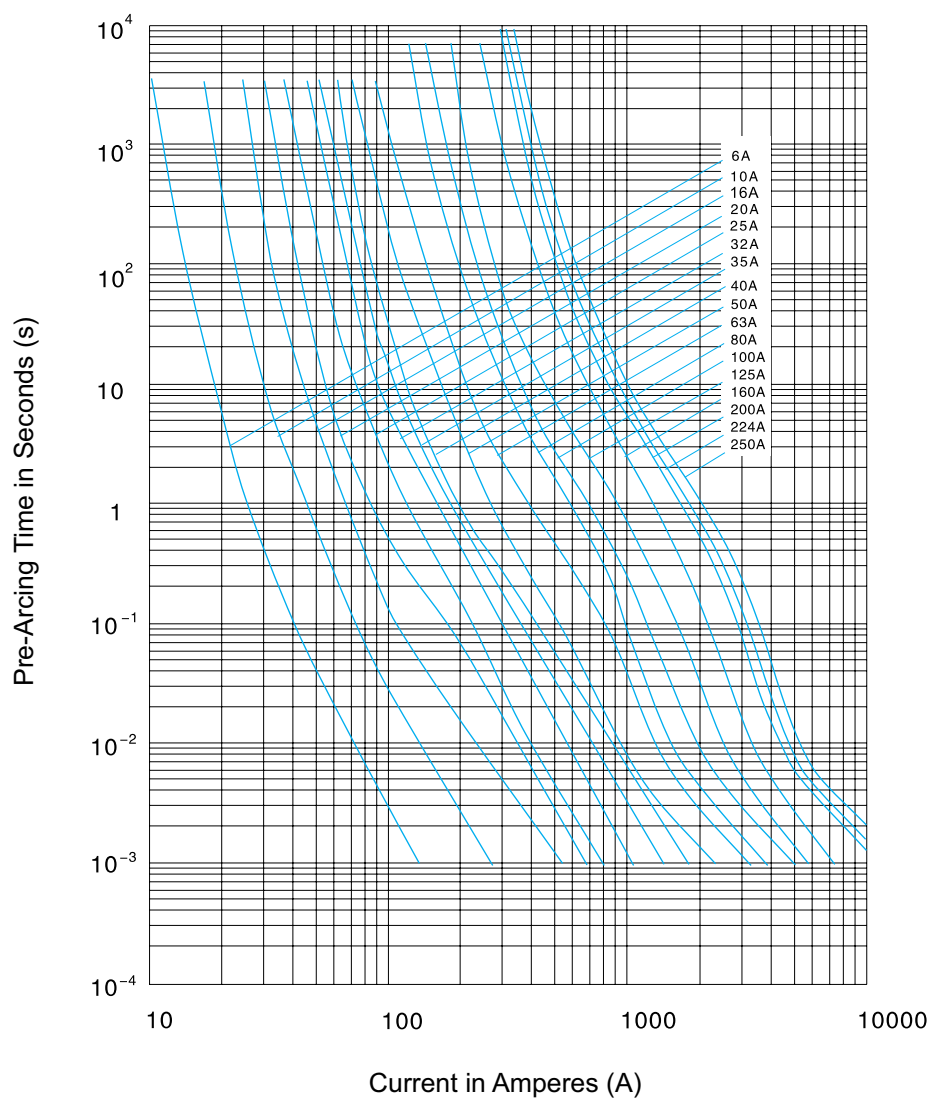
Fuse Rating (A)	Cartridge Size	AC Voltage Rating (V AC)	Utilisation Category	Breaking Capacity @ Rated Voltage (kA)	Catalogue No.
2	000	500	gG	120	N0006
10	000	500	gG	120	N00010
16	000	500	gG	120	N00016
20	000	500	gG	120	N00020
25	000	500	gG	120	N00025
32	000	500	gG	120	N00032
35	000	500	gG	120	N00035
40	000	500	gG	120	N00040
50	000	500	gG	120	N00050
63	000	500	gG	120	N00063
80	000	500	gG	120	N00080
100	000	500	gG	120	N000100
125	000	500	gG	120	N000125
125	00	500	gG	120	N00125
160	00	500	gG	120	N00160
16	1	500	gG	120	N116
20	1	500	gG	120	N120
25	1	500	gG	120	N125
32	1	500	gG	120	N132
35	1	500	gG	120	N135
40	1	500	gG	120	N140
50	1	500	gG	120	N150
63	1	500	gG	120	N163
80	1	500	gG	120	N180
100	1	500	gG	120	N1100
125	1	500	gG	120	N1125
160	1	500	gG	120	N1160
200	1	500	gG	120	N1200
224	1	500	gG	120	N1224
250	1	500	gG	120	N1250
35	2	500	gG	120	N235
40	2	500	gG	120	N240



Fuse Rating (A)	Cartridge Size	AC Voltage Rating (V AC)	Utilisation Category	Breaking Capacity @ Rated Voltage (kA)	Catalogue No.
50	2	500	gG	120	N250
63	2	500	gG	120	N263
80	2	500	gG	120	N280
100	2	500	gG	120	N2100
125	2	500	gG	120	N2125
160	2	500	gG	120	N2160
200	2	500	gG	120	N2200
224	2	500	gG	120	N2224
250	2	500	gG	120	N2250
300	2	500	gG	120	N2300
315	2	500	gG	120	N2315
355	2	500	gG	120	N2355
400	2	500	gG	120	N2400
315	3	500	gG	120	N3315
355	3	500	gG	120	N3355
400	3	500	gG	120	N3400
424	3	500	gG	120	N3425
500	3	500	gG	120	N3500
630	3	500	gG	120	N3630
800	4	500	gG	120	N4800
900	4	500	gG	120	N4900
1250	4	500	gG	120	N41250
1600	4	500	gG	120	N41600

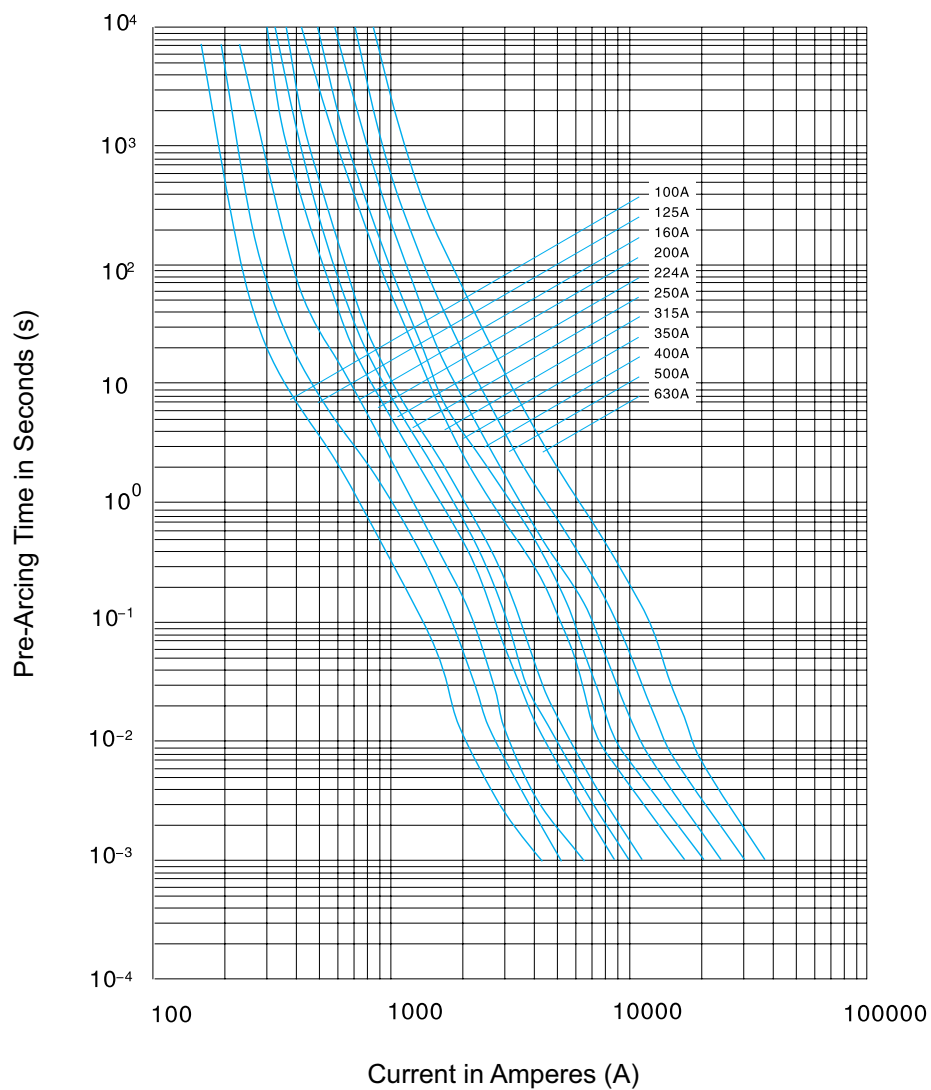


Time / Current Performance for Size 1, 16 A to 250 A gG 500 V





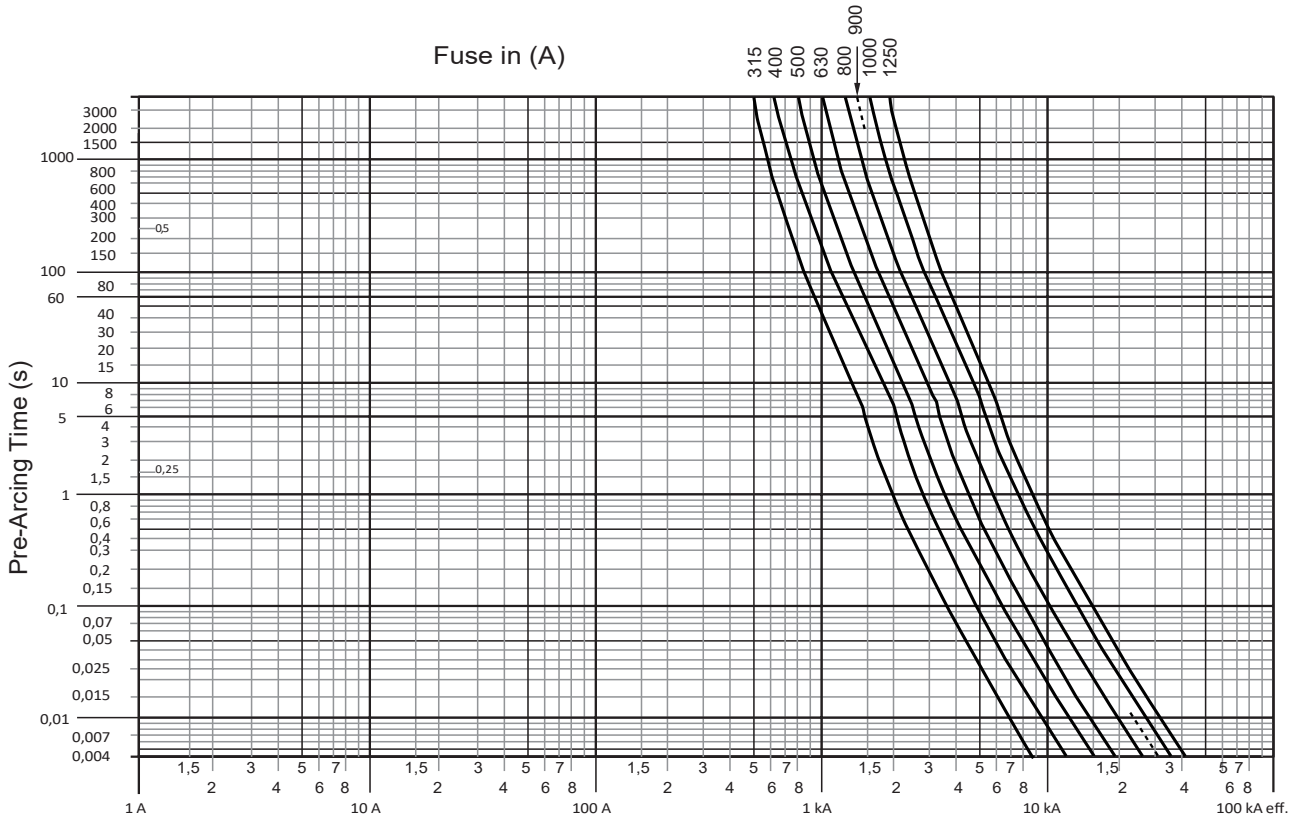
Time / Current Performance for Size 3, 315 A to 630 A , gG 500 V





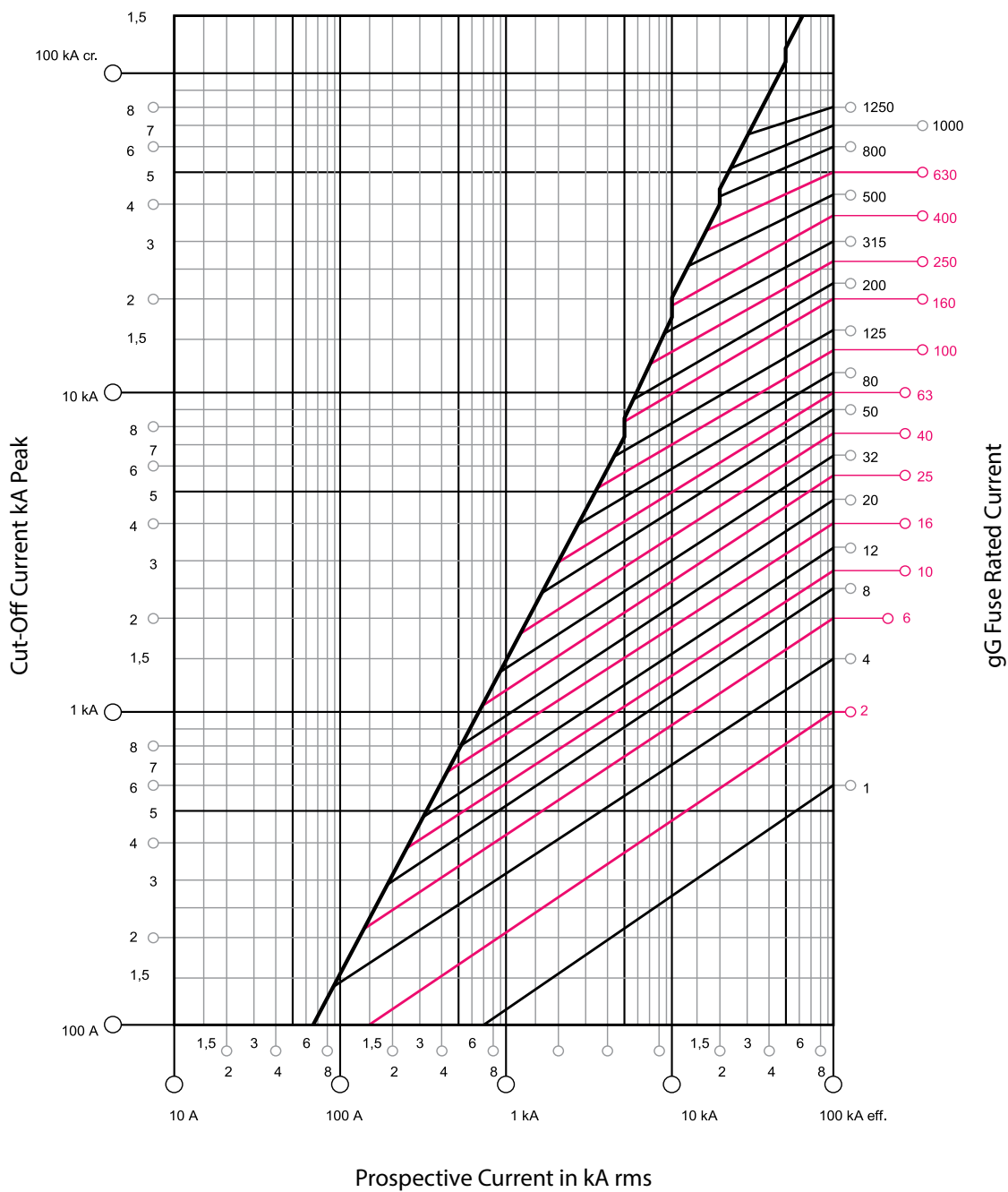
Time / Current Performance for Sizes 3 to 4, 315 A to 1250 A, gG 500 V

Fuses and Bases





Cut-Off Characteristics for Size 000 to 4



catelog_112_f_1_ggb_cat

I²t Let-Through Energy and Power Loss Values Size 000, 1, 2, 3 Fuse Links (16 A to 630 A)

Size	Catalogue No.	Current Rating	Pre-Arcing I ² t Value (A ² s)	Total I ² t Value @ 500 V (A ² s)	Power Loss (W)
0	N00016	16	307	1,060	1.4
	N00020	20	691	1,800	1.6
	N00025	25	1,080	3,700	2.4
	N00032	32	1,920	7,800	2.6
	N00040	40	3,130	14,100	3.2
	N00050	50	6,250	17,000	4.3
	N00063	63	14,000	25,400	4.7
	N00080	80	25,000	47,000	4.8
	N000100	100	39,000	72,000	6.5
	0	N00125	125	48,000	132,000
N00160		160	98,000	204,000	8.8
1	N1 80	80	22,000	50,000	5
	N1 100	100	34,000	85,000	6.8
	N1 125	125	50,000	145,000	9
	N1 160	160	101,000	233,000	11.2
	N1 200	200	175,000	332,000	13.2
	N1 224	224	232,000	471,000	15.2
	N1 250	250	310,000	582,000	15.5
2	N2 160	160	105,000	225,000	11.8
	N2 200	200	150,000	355,000	13.8
	N2 250	250	215,000	650,000	16.2
	N2 300	300	335,000	1,076,000	19.8
	N2 315	315	431,000	1,289,000	22
	N2 355	355	658,000	1,560,000	22.7
	N2 400	400	860,000	1,710,000	27.6
3	N3 315	315	467,000	1,322,000	19
	N3 355	355	591,000	1,652,000	22
	N3 400	400	804,000	1,820,000	26
	N3 425	424	883,000	2,170,000	31
	N3 500	500	1,720,000	3,345,000	36
	N3 630	630	3,219,000	4,900,000	38

DIN Fuse Links 690 V AC -gG and aM



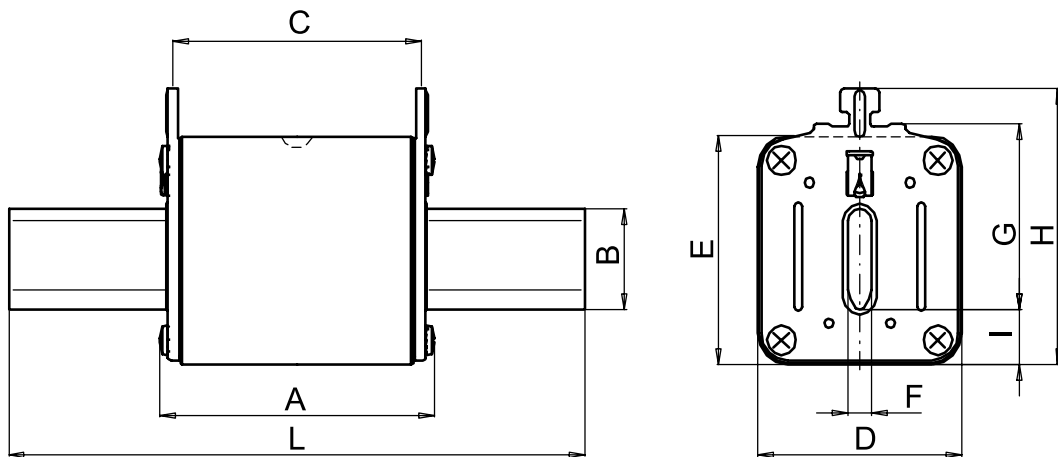
- ✓ Complies with AS/NZS 60269.2.1: 2005 and IEC 60269-2-1
- ✓ 120 kA fault interruption capacity Type gG for general, cable, line and aM for motor protection
- ✓ Sizes: 000, 1, 2 and 3
- ✓ Dimensions according to DIN 43 620 Parts 1 - 4
- ✓ Fuses include a RED blown fuse indicator in top of fuse body
- ✓ Lead-free contact blades
- ✓ Non-isolated standard application metal gripping lugs
- ✓ Low temperature rise
- ✓ Low power losses
- ✓ 690 V AC rated



General

Un, Nominal Operational Voltage, AC	690	V AC
Ue, Rated Operational Voltage, AC	690	V AC
Ue, Rated Operational Voltage, DC, Max	220 / 440	V DC
Uimp, Impulse Withstand Voltage	8	kV
Maximum Operating Temperature With Derating	70	°C max
Standards Compliance	IEC 60269-2-1 AS/NZS 60269-2-1	
Certifications	CE	

Dimensions for NH/DIN gG and aM Fuse Links (mm)



	Amax.	B	C	D	E	F	G	H	I	L
20 477 13	54	15	47	20.5	40.5	6	35	52	7	78
20 209 13	54	15	47	29.5	46	6	35	58	13	78
20 211 13	75	20	65	42	51.5	6	40	64	14	135
20 213 13 ≤ 315 A	75	26	65	53	59	6	60	83	14	150
20 213 13 355 - 425 A	75	32	65	65	73.5	6	60	86	17	150
20 213 13 ≥ 500 A	75	32	65	73	73	6	60	86	16	150
20 477 08	54	15	47	20.5	40.5	6	35	52	7	78
20 209 08	54	15	47	29.5	46	6	35	58	13	78
20 211 08	75	20	65	42	51.5	6	40	64	14	135
20 212 08 ≤ 200 A	75	20	65	42	51.5	6	48	72	14	150
20 212 08 ≥ 224 A	75	26	65	53	59	6	48	72	14	150
20 213 08 ≤ 315 A	75	26	65	53	59	6	60	83	14	150
20 213 08 400 A	75	32	65	65	73.5	6	60	86	17	150
20 213 08 500 - 630 A	75	32	65	73	73	6	60	86	16	150



Fuse Rating (A)	Cartridge Size	AC Voltage Rating (V AC)	Utilisation Category	Breaking Capacity @ Rated Voltage (kA)	Catalogue No.
2	000	690	gG	120	204771302
4	000	690	gG	120	204771304
6	000	690	gG	120	204771306
10	000	690	gG	120	204771310
16	000	690	gG	120	204771316
20	000	690	gG	120	204771320
25	000	690	gG	120	204771325
32	000	690	gG	120	204771332
35	000	690	gG	120	204771335
40	000	690	gG	120	204771340
50	000	690	gG	120	204771350
63	00	690	gG	120	202091363
80	00	690	gG	120	202091380
100	00	690	gG	120	2020913100
125	00	690	gG	120	2020913125
16	1	690	gG	120	202111316
20	1	690	gG	120	202111320
25	1	690	gG	120	202111325
35	1	690	gG	120	202111332
40	1	690	gG	120	202111335
50	1	690	gG	120	202111340
63	1	690	gG	120	202111350
80	1	690	gG	120	202111363
100	1	690	gG	120	202111380
125	1	690	gG	120	2021113100
160	1	690	gG	120	2021113125
200	1	690	gG	120	2021113160
224	1	690	gG	120	2021113200
250	1	690	gG	120	2021113250



Fuse Rating (A)	Cartridge Size	AC Voltage Rating (V AC)	Utilisation Category	Breaking Capacity @ Rated Voltage (kA)	Catalogue No.
35	2	690	gG	120	202121335
40	2	690	gG	120	202121340
50	2	690	gG	120	202121350
63	2	690	gG	120	202121363
80	2	690	gG	120	202121380
100	2	690	gG	120	2021213100
125	2	690	gG	120	2021213125
160	2	690	gG	120	2021213160
200	2	690	gG	120	2021213200
224	2	690	gG	120	2021213224
250	2	690	gG	120	2021213250
300	2	690	gG	120	2021213300
315	2	690	gG	120	2021213315
355	2	690	gG	120	2021213355
400	2	690	gG	120	2021213400
300	3	690	gG	120	2021313300
315	3	690	gG	120	2021313315
355	3	690	gG	120	2021313355
400	3	690	gG	120	2021313400
425	3	690	gG	120	2021313425
500	3	690	gG	120	2021313500
630	3	690	gG	120	2021313630



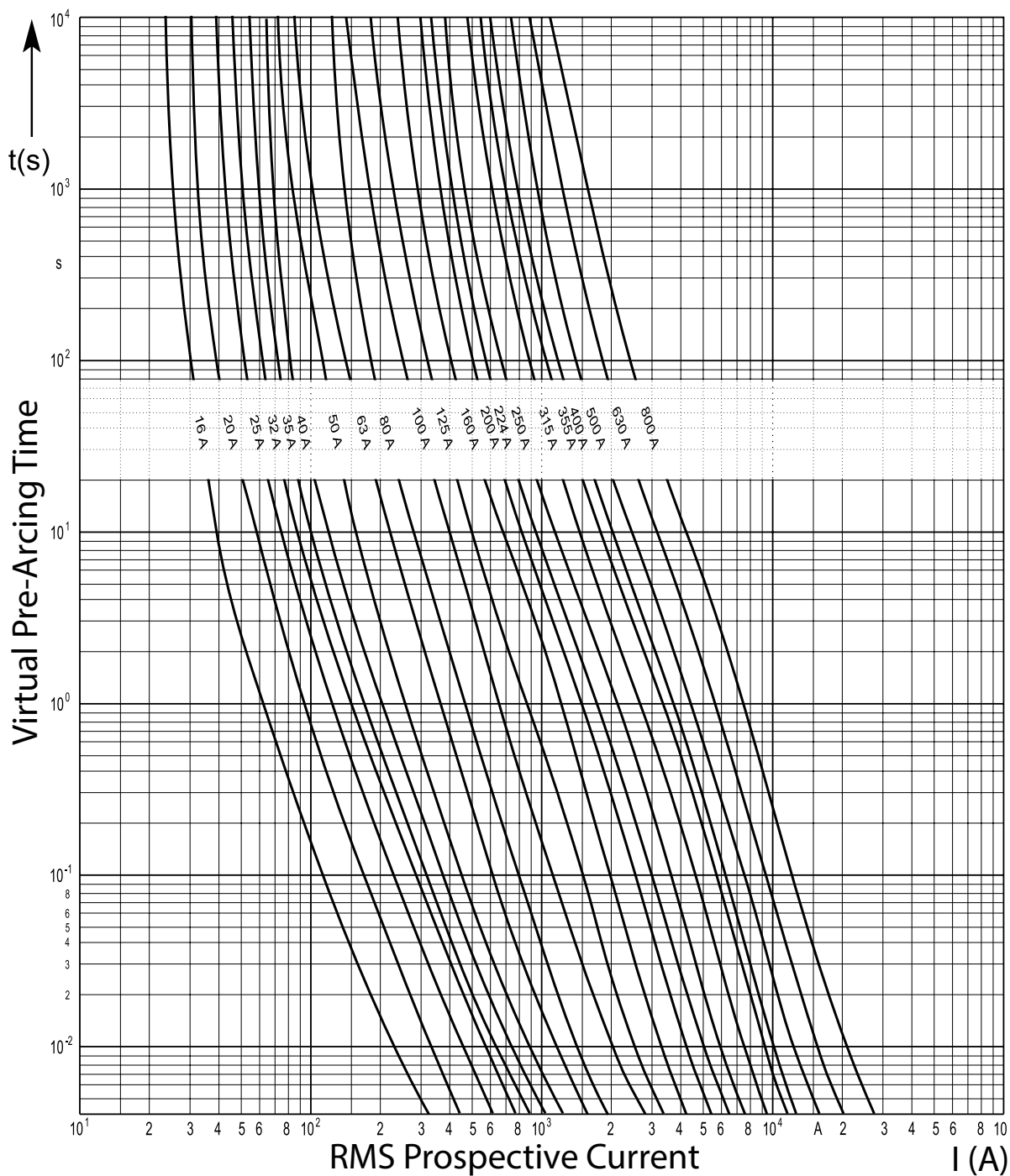
Fuse Rating (A)	Cartridge Size	AC Voltage Rating (V AC)	Utilisation Category	Breaking Capacity @ Rated Voltage (kA)	Catalogue No.
2	000	690	aM	120	204770802
4	000	690	aM	120	204770804
6	000	690	aM	120	204770806
10	000	690	aM	120	204770810
16	000	690	aM	120	204770816
20	000	690	aM	120	204770820
25	000	690	aM	120	204770825
32	000	690	aM	120	204770832
35	000	690	aM	120	204770835
40	000	690	aM	120	204770840
50	000	690	aM	120	204770850
63	00	690	aM	120	202090863
80	00	690	aM	120	202090880
100	00	690	aM	120	2020908100
125	00	690	aM	120	2020908125
160	00	690	aM	120	2020908160
16	1	690	aM	120	202110816
20	1	690	aM	120	202110820
25	1	690	aM	120	202110825
35	1	690	aM	120	202110835
40	1	690	aM	120	202110840
50	1	690	aM	120	202110850
63	1	690	aM	120	202110863
80	1	690	aM	120	202110880
100	1	690	aM	120	2021108100
125	1	690	aM	120	2021108125
160	1	690	aM	120	2021108160
200	1	690	aM	120	2021108200
224	1	690	aM	120	2021108224
250	1	690	aM	120	2021108250



Fuse Rating (A)	Cartridge Size	AC Voltage Rating (V AC)	Utilisation Category	Breaking Capacity @ Rated Voltage (kA)	Catalogue No.
35	2	690	aM	120	202120835
50	2	690	aM	120	202120850
63	2	690	aM	120	202120863
80	2	690	aM	120	202120880
100	2	690	aM	120	2021208100
125	2	690	aM	120	2021208125
160	2	690	aM	120	2021208160
200	2	690	aM	120	2021208200
250	2	690	aM	120	2021208250
315	2	690	aM	120	2021208315
355	2	690	aM	120	2021208355
400	2	690	aM	120	2021208400
315	3	690	aM	120	2021308315
400	3	690	aM	120	2021308400
500	3	690	aM	120	2021308500
630	3	690	aM	120	2021308630



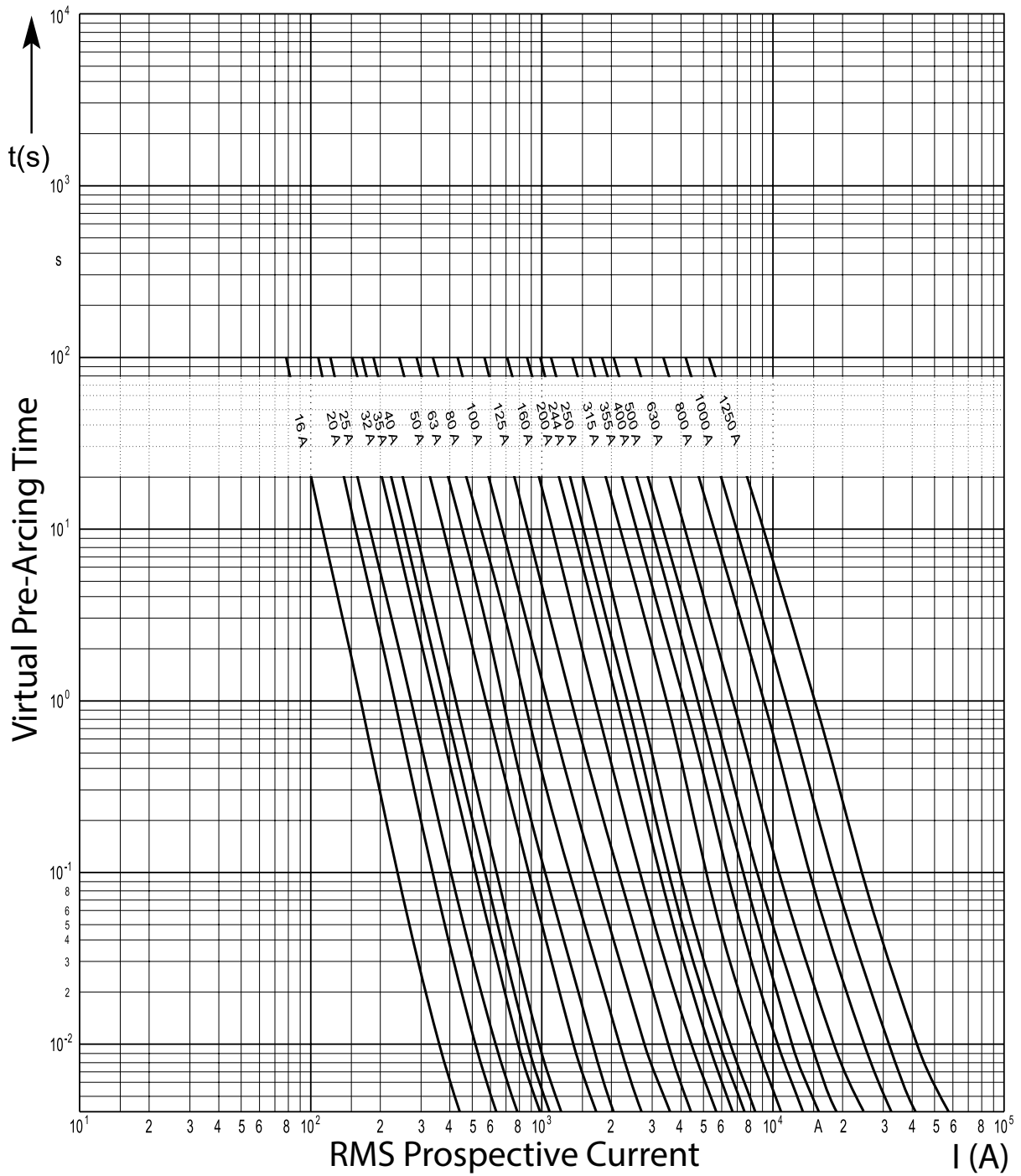
Time - Current Characteristics, gG, 690 V AC





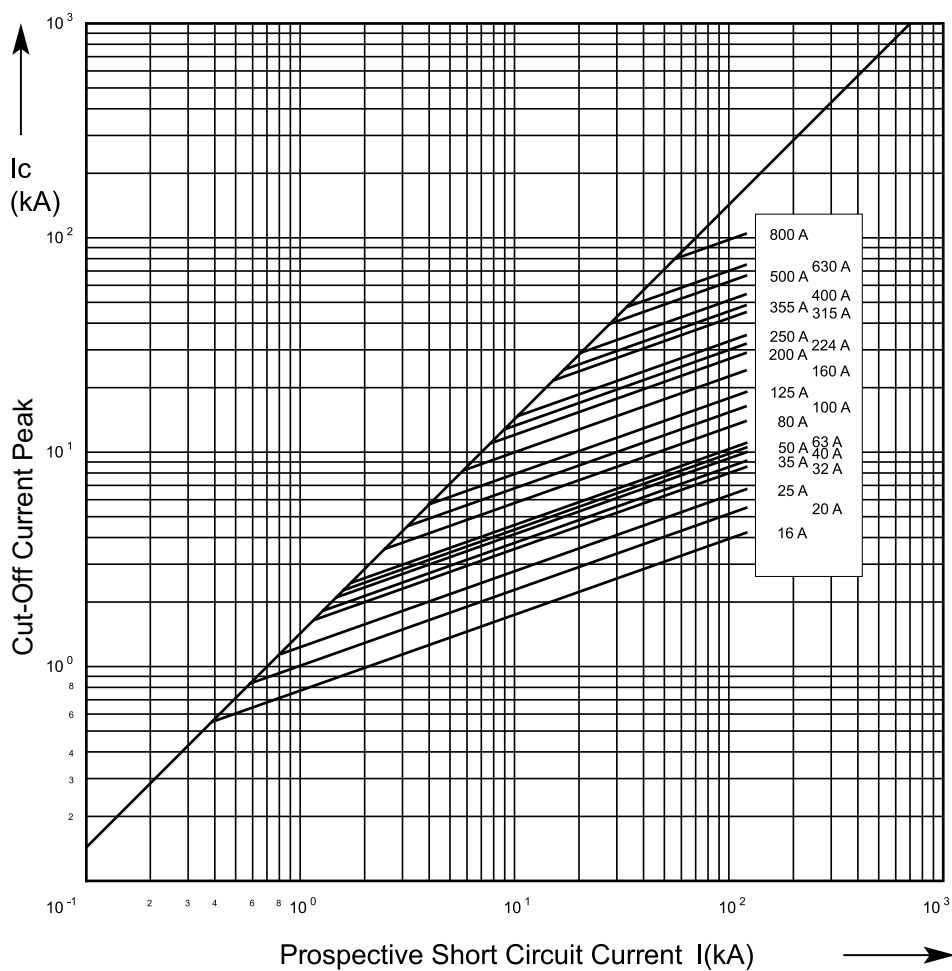
Time - Current Characteristics, aM, 690 V AC

Fuses and Bases





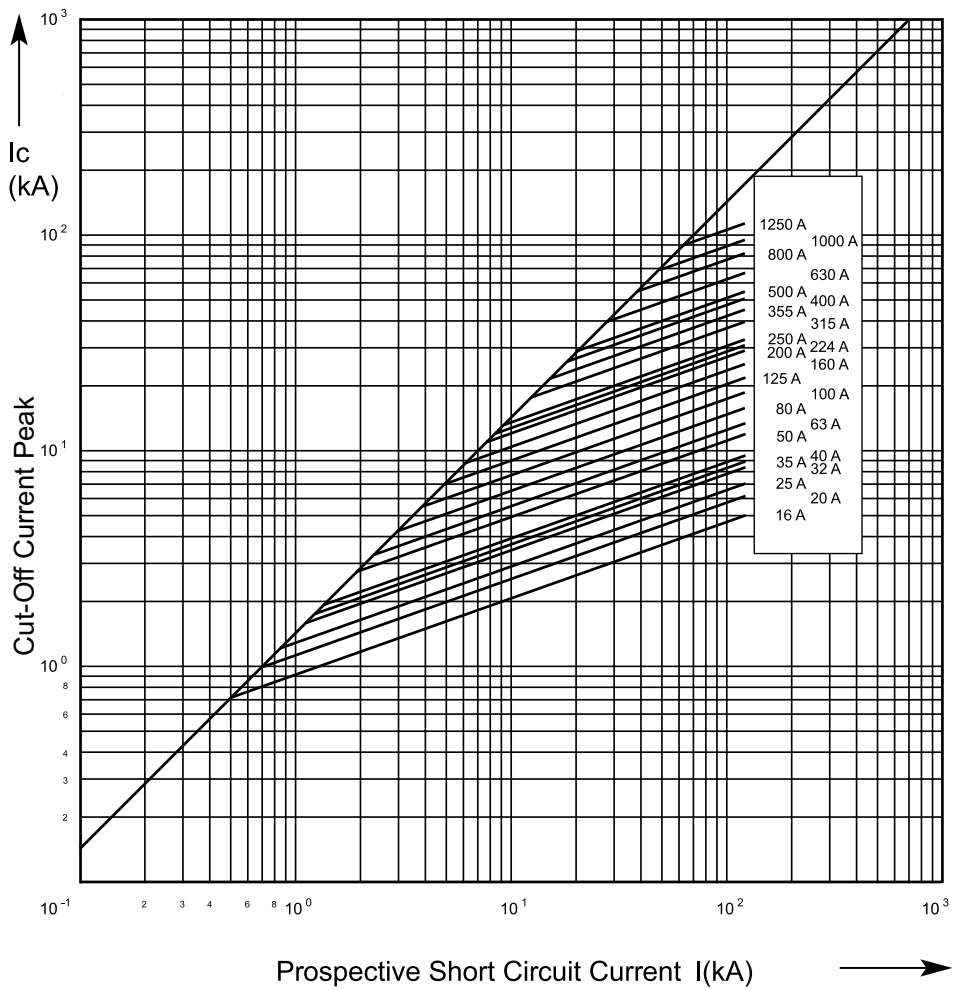
Cut-Off Characteristics, gG, 690 V AC





Cut-Off Characteristics, aM, 690 V AC

Fuses and Bases



Extractor Handles

DIN Fuse pullers are used to insert and remove NH-DIN fuse links and solid links of sizes 000 up to 4 from NH-DIN fuse bases and switch fuses. Can be used in application up to 690 V AC.



Item Description	Catalogue No.
Extractor Handle DIN Fuse	DINF

DFB DIN Fuse Bases Single Pole

DFB DIN Fuse Bases Size 00 to 3, 1 Pole

Open Type

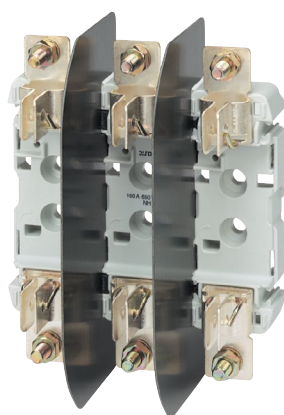


Item Description	Catalogue No.
Fuse Base DFB Size 00 Fuse, 160 A, 1 Pole, Back Plate Mount	65001010
Fuse Base DFB Size 00 Fuse, 160 A, 1 Pole, DIN Rail Mount	65001110
Fuse Base DFB Size 1 Fuse, 250 A, 1 Pole, Back Plate Mount	65011011
Fuse Base DFB Size 1 Fuse, 250 A, 1 Pole, DIN Rail Mount	65011111
Fuse Base DFB Size 2 Fuse, 400 A, 1 Pole, Back Plate Mount	65011012
Fuse Base DFB Size 2 Fuse, 400 A, 1 Pole, DIN Rail Mount	65011112
Fuse Base DFB Size 3 Fuse, 630 A, 1 Pole, Back Plate Mount	65011013
Fuse Base DFB Size 3 Fuse, 630 A, 1 Pole, DIN Rail Mount	65011113

DFB DIN Fuse Bases Three Pole

DIN Fuse Bases Size 00 to 3, 3 Pole

Open Type



Item Description	Catalogue No.
Fuse Base DFB Size 00 Fuse, 160 A, 3 Pole, Back Plate Mount	65001030
Fuse Base DFB Size 00 Fuse, 160 A, 3 Pole, DIN Rail Mount	65001130
Fuse Base DFB Size 1 Fuse, 250 A, 3 Pole, Back Plate Mount	65011031
Fuse Base DFB Size 1 Fuse, 250 A, 3 Pole, DIN Rail Mount	65011131
Fuse Base DFB Size 2 Fuse, 400 A, 3 Pole, Back Plate Mount	65011032
Fuse Base DFB Size 2 Fuse, 400 A, 3 Pole DIN Rail Mount	65011132
Fuse Base DFB Size 3 Fuse, 630 A, 3 Pole, Back Plate Mount	65011033
Fuse Base DFB Size 3 Fuse, 630 A, 3 Pole, DIN Rail Mount	65011133



IP20 Kit Single Pole and Three Pole

IP20 Kit, includes connecting block, phase separation shield, terminal shrouds and fuse covers.



Item Description	Catalogue No.
IP20 Kit, 160 A, DIN Fuse Base, 1 Pole	65101010
IP20 Kit, 160 A, DIN Fuse Base, 3 pole	65101030
IP20 Kit, 250 A, DIN Fuse Base, 1 Pole	65111011
IP20 Kit, 250 A, DIN Fuse Base, 3 Pole	65111031
IP20 Kit, 400 A, DIN Fuse Base, 1 Pole	65111012
IP20 Kit, 400 A, DIN Fuse Base, 3 Pole	65111032
IP20 Kit, 630 A, DIN Fuse Base, 1 Pole	65111013
IP20 Kit, 630 A, DIN Fuse Base, 3Pole	65111033

DIN Fuse Accessories

Connecting Blocks

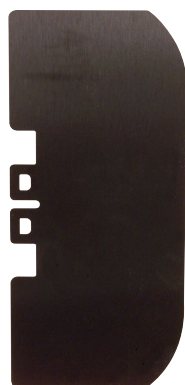
1 piece, 2 required to connect 3 fuse bases.



Item Description	Catalogue No.
DFB Connect Block 250 / 400 A	65000031
DFB Connect Block 630 A	65000032
DFB Connect Block 160 A	65000033

Phase Separation Shields

1 piece, 4 required for 3 fuse bases.



Item Description	Catalogue No.
Fuse DFB Phase Barrier 160 A	65000001
Fuse DFB Phase Barrier 250 / 400 A	65000003
Fuse DFB Phase Barrier 630 A	65000004



Terminal Shrouds

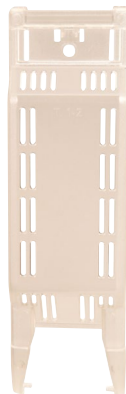
1 piece, 2 required per pole.



Item Description	Catalogue No.
Fuse DFB Terminal Shroud 160 A	65000010
Fuse DFB Terminal Shroud 250 A	65000012
Fuse DFB Terminal Shroud 400 A	65000013
Fuse DFB Terminal Shroud 630 A	65000014

Fuse Covers

1 piece, 1 required per pole.

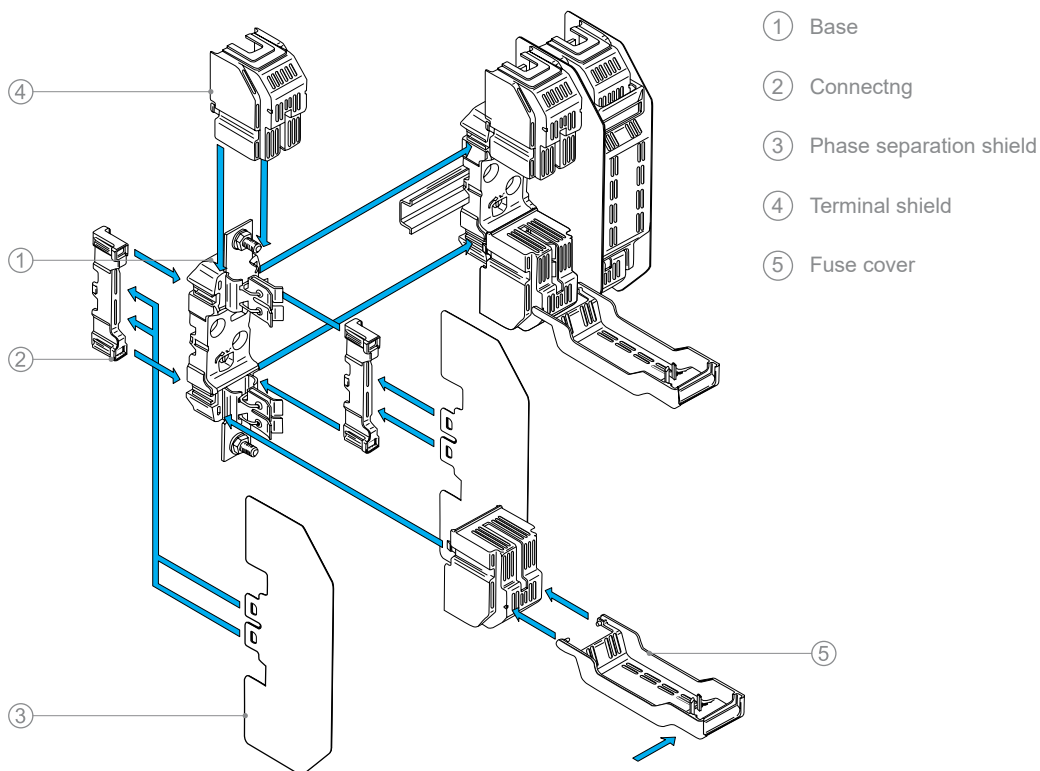


Item Description	Catalogue No.
Fuse DFB Cover 160 A	65000020
Fuse DFB Cover 250 / 400 A	65000022
Fuse DFB Cover 630 A	65000023

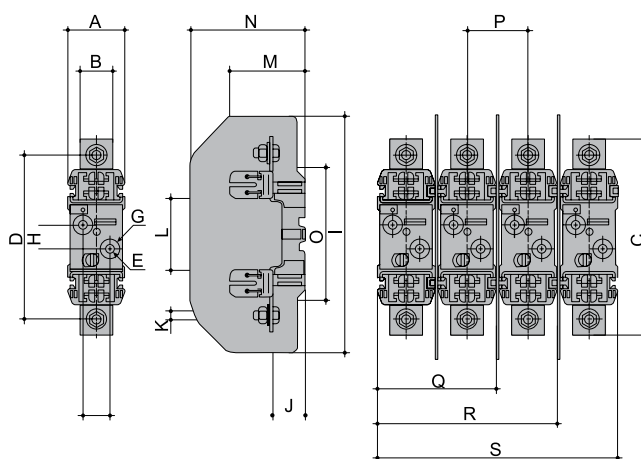


DIN Fuse Bases 160 to 630 A

IP20 Kit Assembly



Dimensions (mm)



Rating Fuse (A)	Size	A	B	C	D	E	F	G	H	I	J	K	L	M	N	O	P	Q	R	S
160	00	37	20	120.5	100	15	0	7.5	25	146	23	M8	56.5	58	84.5	86	38.5	75.5	114	152.5
250	1	60	28	200	175	10.5	30	20.5	25	250	35	M10	80	77.5	123	148	66	121.5	192	244.5
400	2	60	32	225	200	10.5	30	20.5	25	250	35	M12	80	88	123	148	66	12.5	192	244.5
630	3	60	38	240	210	10.5	30	20.5	25	270	35	M12	80	97	143	148	82	121.5	224	244.5

DIN Fuse Switch Disconnect - Panel Mount



- ✓ 3-pole switching
- ✓ AS/NZS 60947-3, VDE 0660 part 107 / EN 60947-3 / IEC 60947-3
- ✓ Shock Protection with integrated positive action closure and arc chambers
- ✓ Fuses have mechanical retention in disconnecter lid
- ✓ Front-side degree of protection IP30, degree of protection depends on installation
- ✓ Test opening in disconnecter lid self-closing
- ✓ Recommended mounting position: handle at top
- ✓ Size 000: Fixing on 1 DIN mounting rail with 112.5 or 125 mm spacing using fast fixing plate
- ✓ Size 00, 1, 2: Fixing on 2 DIN mounting rails with 125 or 150 mm spacing using fixing kit



General

Un, Nominal Operational Voltage, AC	690	V AC
--	-----	------

Ue, Rated Operational Voltage, AC	690	V AC
--	-----	------

Ue, Rated Operational Voltage, DC, Max	400 / 440	V DC
---	-----------	------

Uimp, Impulse Withstand Voltage	8	kV
--	---	----

Rated Peak Withstand Current 550 V	80	kA
---	----	----

Maximum Operating Temperature With Derating	70	°C max
--	----	--------

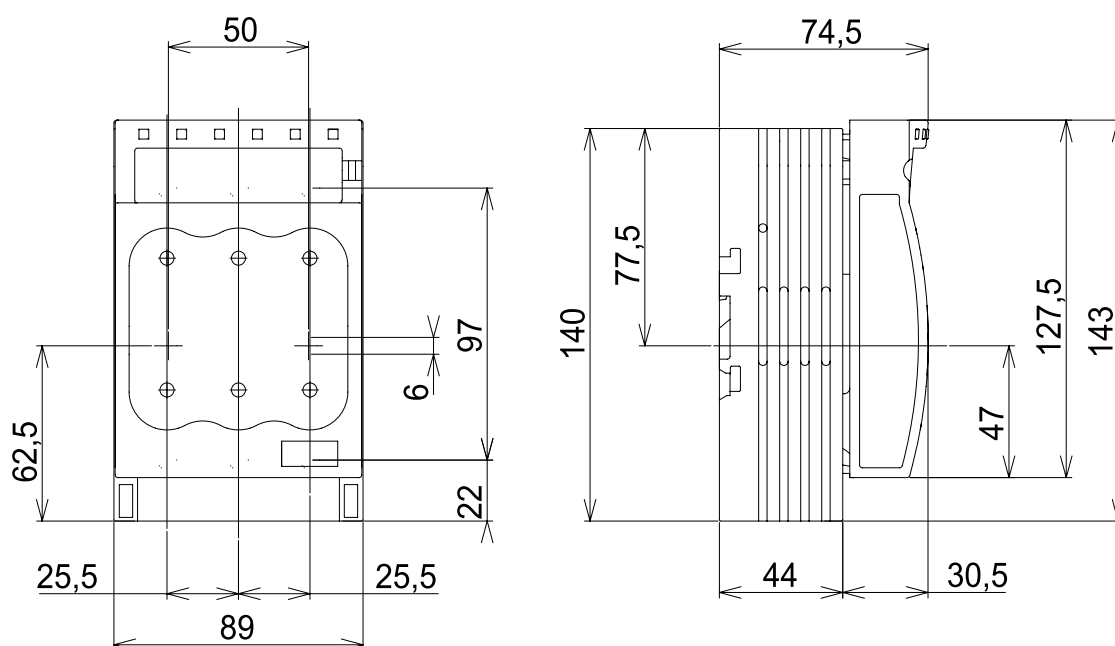
IP Rating	IP30
------------------	------

Standards Compliance	IEC 60947-1 IEC 60947-3 EN 60947-3 VDE 0660 IEC 60269-2-1 DIN VDE 0636-2
-----------------------------	---

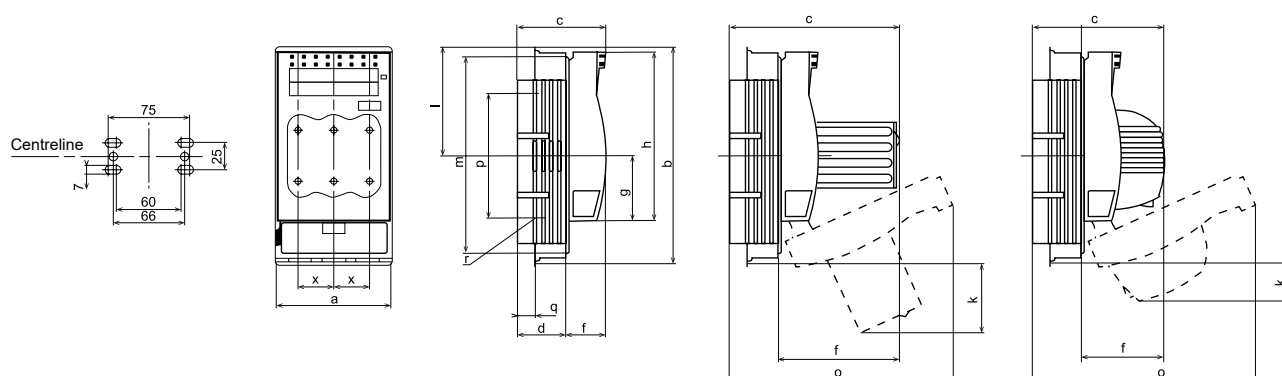
Certifications	CCC GOST IECEE DEKRA GL
-----------------------	-------------------------------------

Service Information	Product is not repairable. Please contact your local NHP sales representative for assistance.
----------------------------	--

Dimensions for Fuse Switch Disconnecter (33217) (mm)



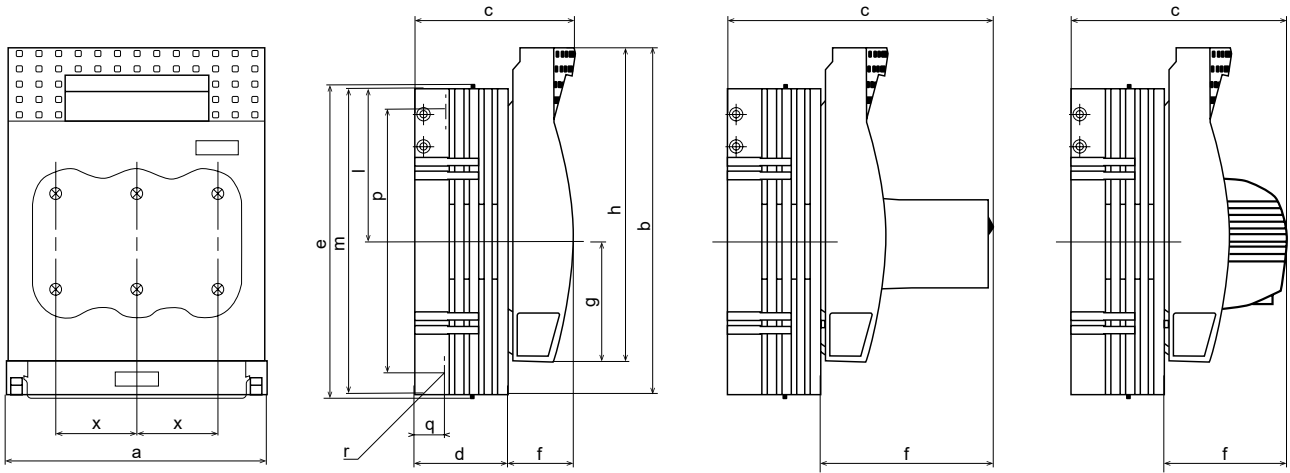
Dimensions for Fuse Switch Disconnecter (33200) (mm)



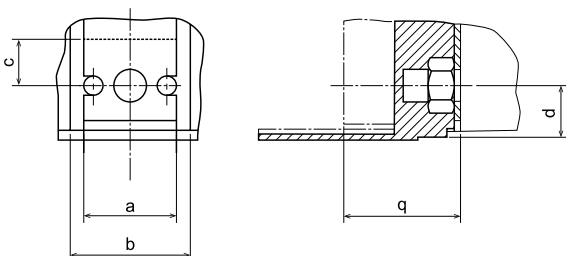
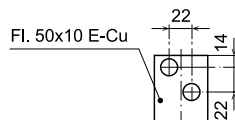
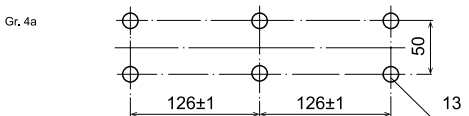
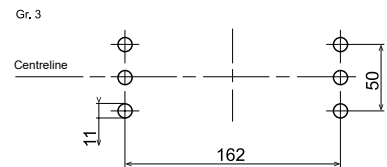
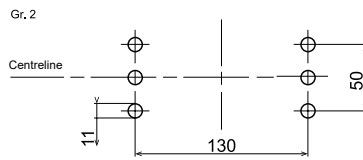
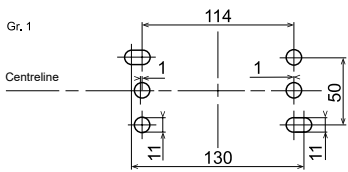
Gr.	a	b	c	d	f	g	h	k	l	m	o	p	q	r	x
33 200	00	106	200	82.5	45	37	60	155	-	100	181	206	115	17	M8 33



Dimensions for Fuse Switch Disconnecter (mm)

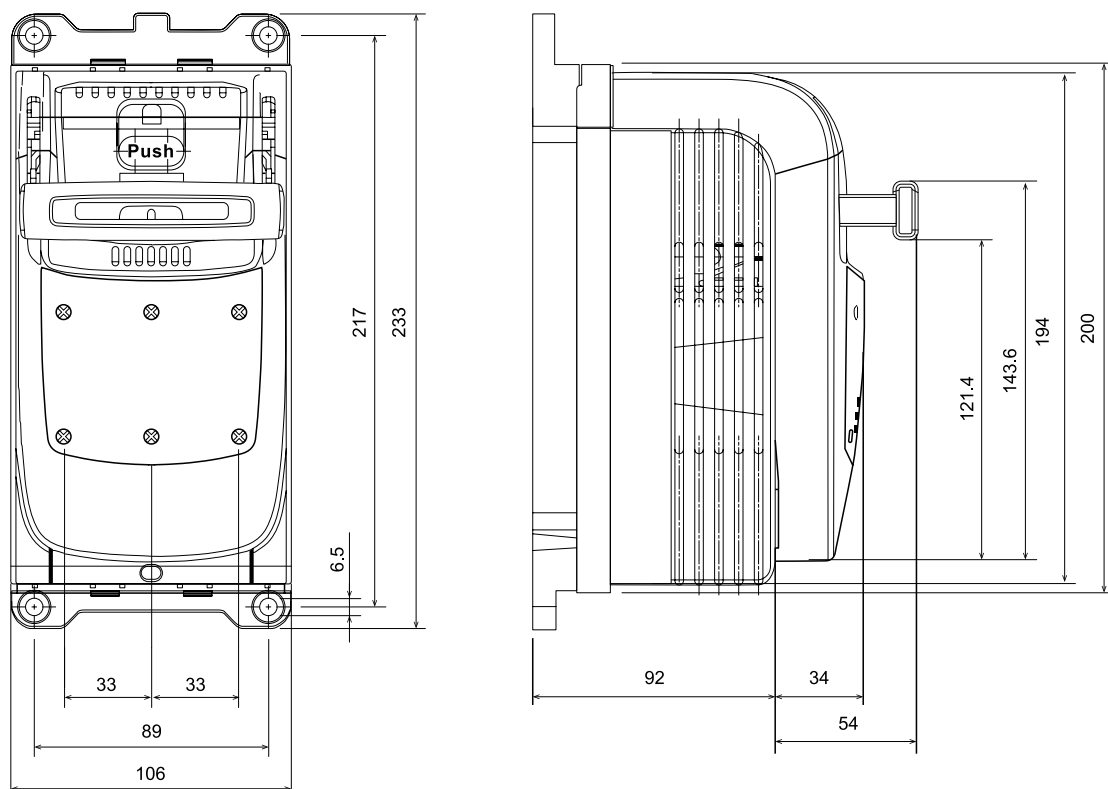


	Gr.	a	b	c	d	e	f	g	h	l	m	p	q	r	x
33 201	1	184	243	111.5	66	220	45.5	84	220	107	214.5	185	21.5	M10	57
33 202	2	210	288	128	80	—	48	92	249	124	255	210	25	M10	65
33 203	3	256	300	142.5	94.5	—	48	98.5	259	127.5	267	210	30	M12	81
33 204	4 a	378	352	233	151	—	75	104	256	192	352	—	39	2xM12	126
33 331	2	210	288	168.5	80	—	88.5	92	249	124	255	210	25	M10	65

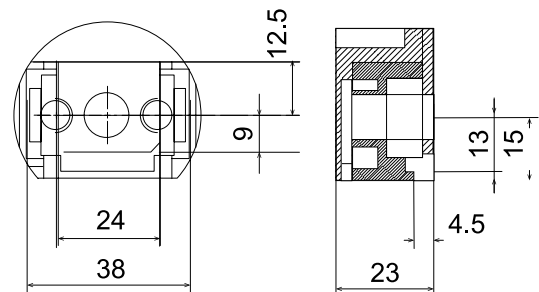
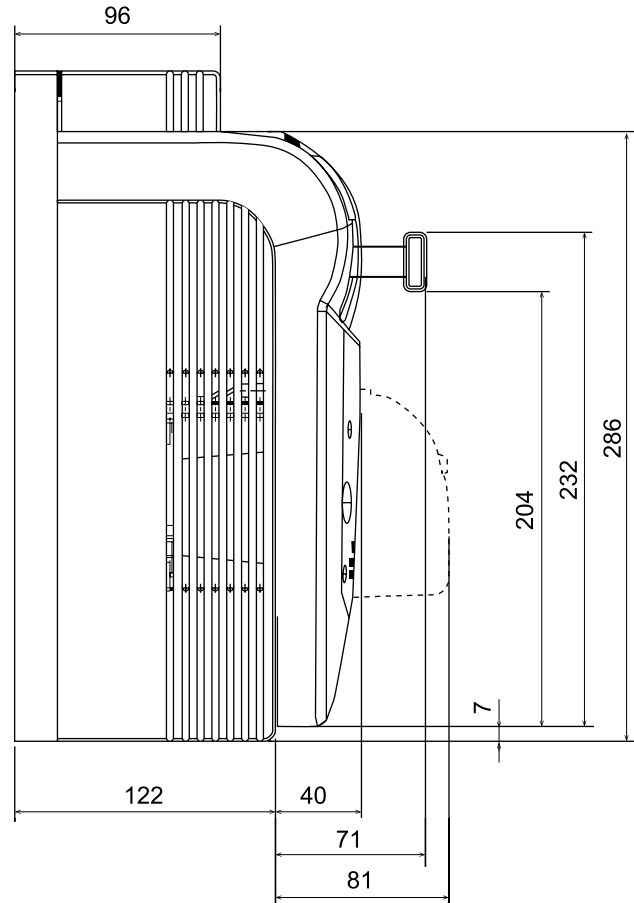
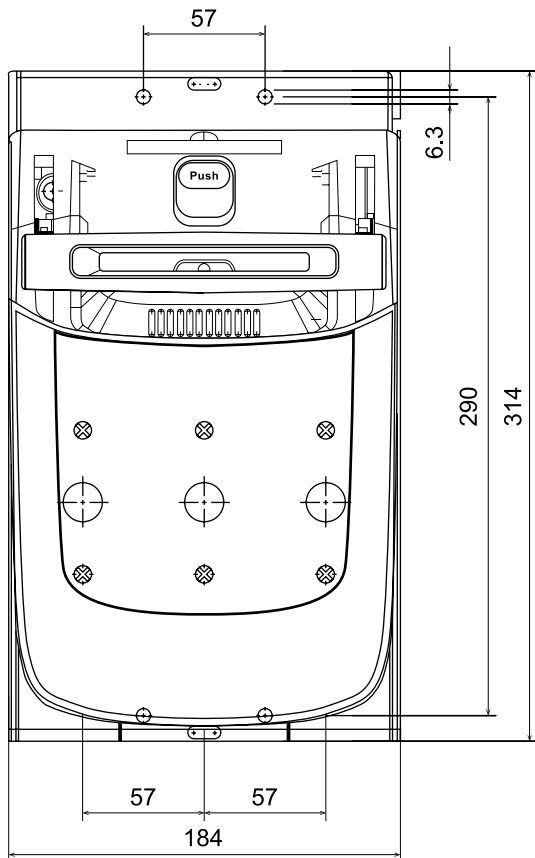


Gr.	a	b	c	d	q
00	20	25	14.5	10	17
1	30	39	17	17	21
2	33	42	19	19.5	25
3	40	52	20	24	30

Dimensions for Fuse Switch Disconnecter (33502) (mm)



Dimensions for Fuse Switch Disconnecter (33512) (mm)



Panel Mount Fuse Switch



Fuse Rating (A)	Cartridge (Size)	Flexible Cable (Max)	H x W x D (mm)	Catalogue No.
125	000	50 mm ²	143 x 89 x 75	33217
160	00	70 mm ²	176 x 106 x 83	33200
250	1	120 mm ²	243 x 184 x 112	33201
400	2	240 mm ²	288 x 210 x 128	33202
630	3	240 mm ²	300 x 256 x 143	33203

Panel Mount Fuse Switch Disconnecter - With ON / OFF Lever Controlled Spring Switching Mechanism



Fuse Rating (A)	Cartridge (Size)	Flex Cable (Max)	H x W x D (mm)	Catalogue No.
125	00	70 mm ²	233 x 106 x 128	33502
250	1	120 mm ²	314 x 184 x 193	33512

Rating Table for Panel Mount Version

For Fuse Link Sizes	000	00	1	2	3
Type of Current	AC (50 - 60 Hz) DC	AC (50 - 60 Hz) DC	AC (50 - 60 Hz) DC	AC (50 - 60 Hz) DC	AC (50 - 60 Hz) DC
Rated Operating Voltage (U_e)	690 V AC	690 V AC	690 V AC	690 V AC	690 V AC
	440 V DC	440 V DC	440 V DC	440 V DC	440 V DC
Rated Insulation Voltage (U_i)	800 V	800 V	800 V	800 V	800 V
Rated Surge Withstand Capacity (U_{imp})	6 kV	6 kV	6 kV	6 kV	6 kV
Max. Rated Operating Current (I_e)	125 A	160 A	250 A	400 A	630 A
Conditional Rated Short-Circuit Current	50 kA	50 kA	80 kA	50 kA	50 kA
For VDE 0636-2 NH Fuses of All Operating Classes with Power Dissipation Per Phase	9 W	12 W	23 W	34 W	48 W

Fuse Switch Disconnecter for Panel Mount and Busbar Mount

For Fuse Link Sizes	00	1
Type of Current	AC (50 - 60 Hz) DC	AC (50 - 60 Hz) -
Rated Operational Voltage (U_e)	690 V AC, 440 V DC	690 V AC
Rated Insulation Voltage (U_i)	800 V AC	800 V AC
Rated Surge Withstand Capacity (U_{imp})	6k V	6k V
Max. Rated Operating Current (I_e)	125 A	250 A
Conditional Rated Short-Circuit Current Using gG Fuse Links	50 kA size 00; 125 A - 690 V	50 kA size 1; 250 A - 690 V
For VDE 0636-2 NH Fuses of All Operating Classes with Power Dissipation Per Phase	10 W	23 W

DIN Fuse Switch Disconnect - Busbar Mount



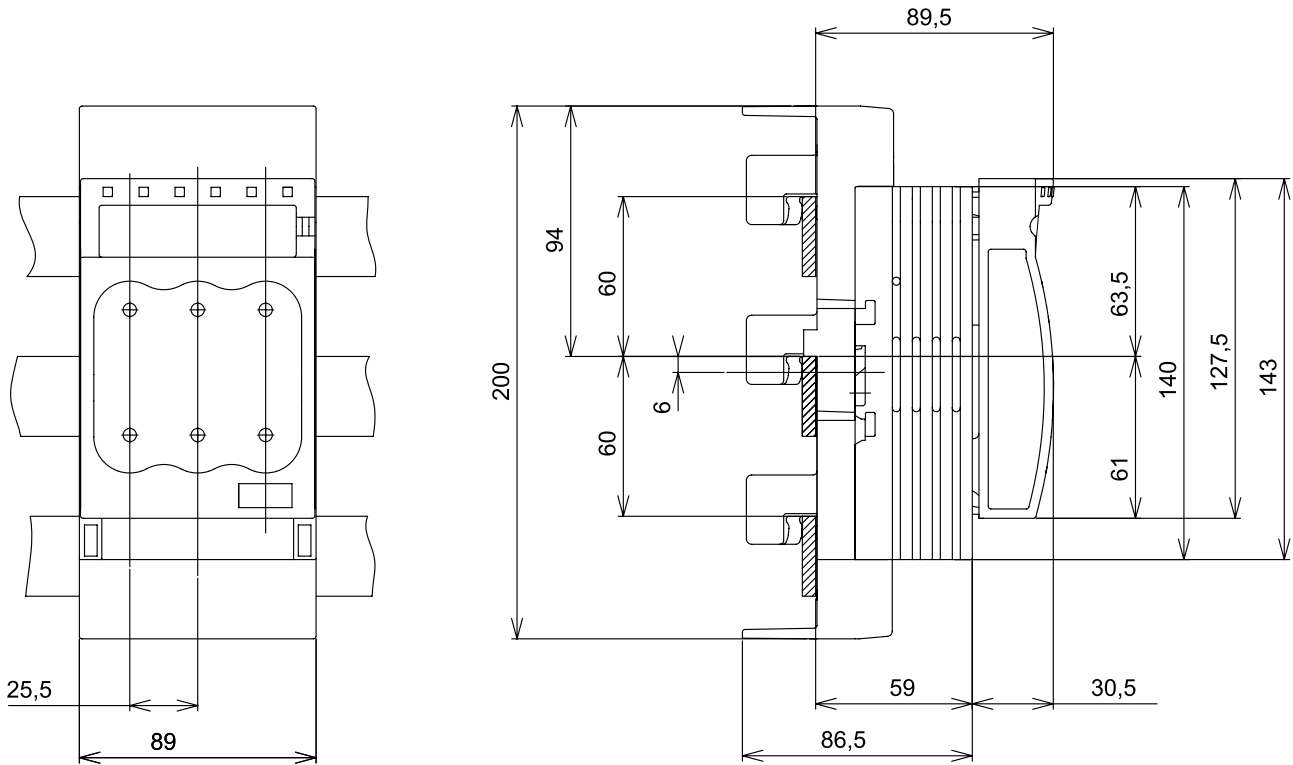
- ✓ 3-pole switching
- ✓ AS/NZS 60947-3, V DE 0660 part 107 / EN 60947-3 / IEC 60947-3
- ✓ Shock protection with integrated positive action closure and arc chambers
- ✓ Fuses have mechanical retention in disconnecter lid
- ✓ Front- side degree of protection IP30, degree of protection depends on installation
- ✓ Test openings in disconnecter lid self-closing
- ✓ Recommended mounting position: handle at top
- ✓ 60 mm system (fuse sizes 000, 00, 1, 2, 3)
- ✓ Screwless busbar connection, locks on and makes contact easily and securely
- ✓ Switches to busbar, top or bottom connection is possible



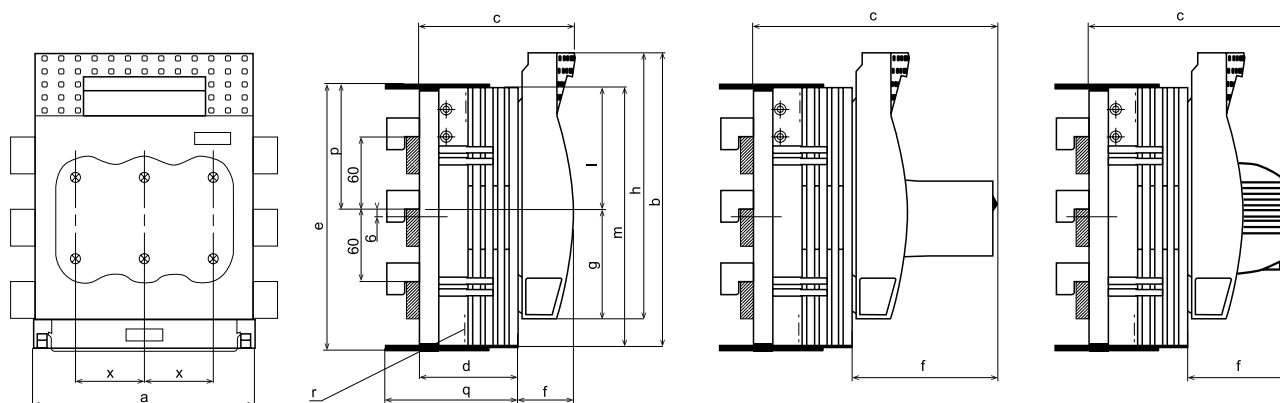
General

Un, Nominal Operational Voltage, AC	690	V AC
Ue, Rated Operational Voltage, AC	690	V AC
Ue, Rated Operational Voltage, DC, Max	440	V DC
Uimp, Impulse Withstand Voltage	6	kV
Rated Peak Withstand Current 550 V	80	kA
Maximum Operating Temperature With Derating	70	°C max
IP Rating	IP30	
Standards Compliance	IEC 60947-3 EN 60947-3 IEC 60269-2-1 DIN VDE 0636-2	
Certifications	CCC GOST IECEE DEKRA GL	
Service Information	Product is not repairable. Please contact your local NHP sales representative for assistance.	

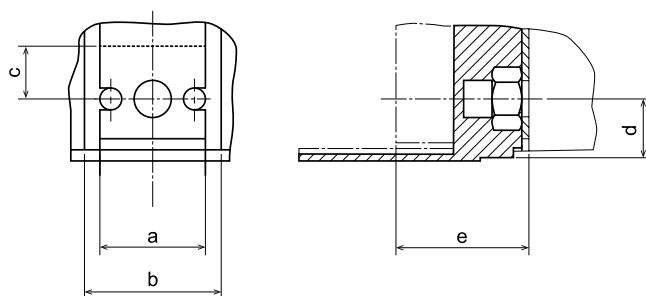
Dimensions for Fuse Switch Disconnecter (33216) (mm)



Dimensions for Fuse Switch Disconnecter (33601, 33602 and 33603) (mm)



	Gr.	a	b	c	d	e	f	g	h	l	m	p	q	r	x
33 601	1	184	243	128,5	83	221	45,5	90	220	101	214,5	104,5	110,5	M10	57
33 602	2	210	288	145	97	268	48	98	249	118	255	128	124,5	M10	65
33 603	3	256	300	159,5	111,5	285	48	104,5	259	121,5	267	136,5	139	M12	81

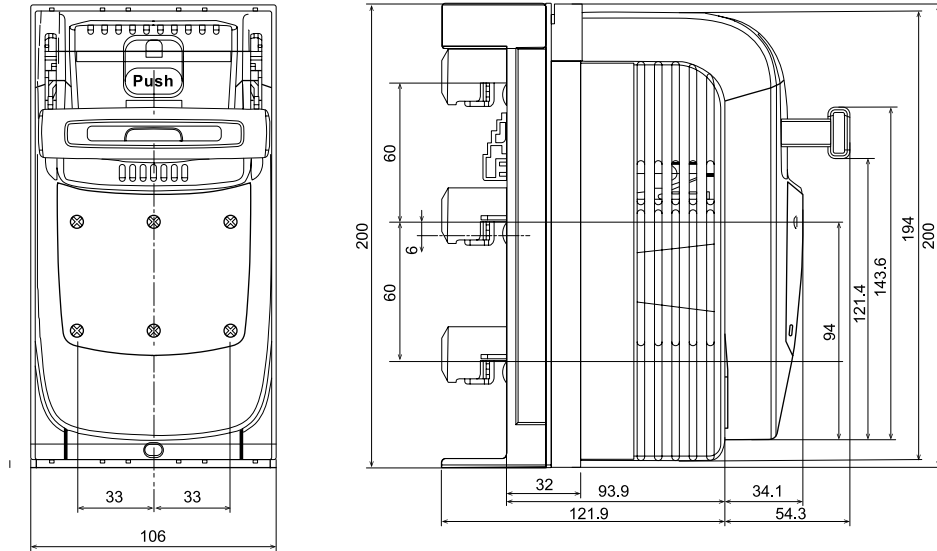


Gr.	a	b	c	d	e
00	20	25	14,5	10	32
1	30	39	17	17	38
2	33	42	19	19,5	42
3	40	52	20	24	47,5

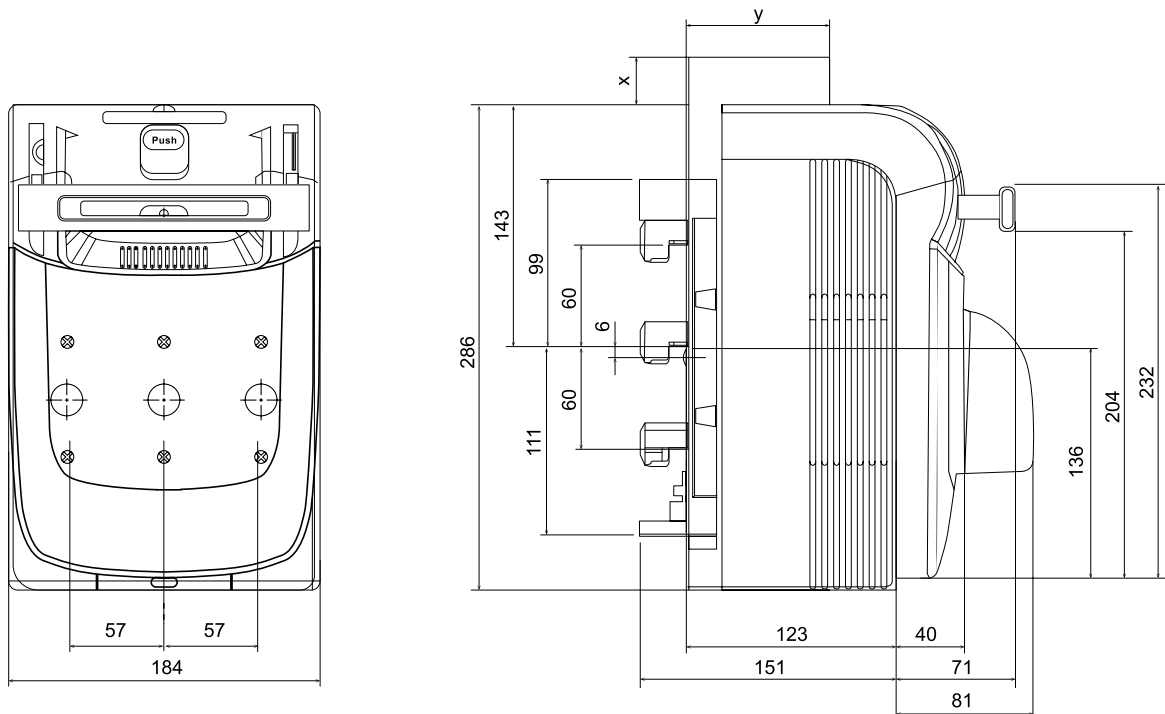


Fuses and Bases

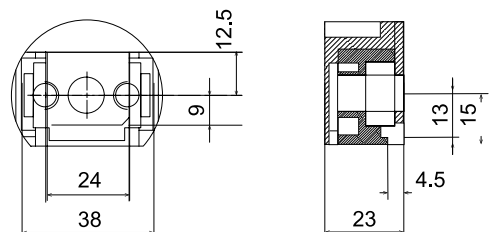
Dimensions for Fuse Switch Disconnecter (33500) (mm)



Dimensions for Fuse Switch Disconnecter (33510 and 33516) (mm)



	x	y
33 510	0	0
33 516	0	0



Busbar Mount



Fuse Rating (A)	Cartridge (Size)	Flex Cable (Max)	H x W x D (mm)	Catalogue No.
125	000	50 mm ²	200 x 89 x 97	33216
160	00	70 mm ²	200 x 106 x 97	33198
250	1	120 mm ²	243 x 184 x 129	33601
400	2	240 mm ²	288 x 210 x 145	33602
630	3	240 mm ²	300 x 256 x 160	33603

Busbar Mount Fuse Switch Disconnecter



Fuse Rating (A)	Cartridge (Size)	Flex Cable (Max)	H x W x D (mm)	Catalogue No.
125	00	70 mm ²	200 x 106 x 128	33500
250	1	120 mm ²	296 x 184 x 194	33510

Rating Table for Panel Mount Version

For Fuse Link Sizes	000	00	1	2	3
Type of Current	AC (50 - 60 Hz) DC	AC (50 - 60 Hz) DC	AC (50 - 60 Hz) DC	AC (50 - 60 Hz) DC	AC (50 - 60 Hz) DC
Rated Operating Voltage (U_e)	690 V AC	690 V AC	690 V AC	690 V AC	690 V AC
	440 V DC	440 V DC	440 V DC	440 V DC	440 V DC
Rated Insulation Voltage (U_i)	800 V	800 V	800 V	800 V	800 V
Rated Surge Withstand Capacity (U_{imp})	6 kV	6 kV	6 kV	6 kV	6 kV
Max. Rated Operating Current (I_e)	125 A	160 A	250 A	400 A	630 A
Conditional Rated Short-Circuit Current	50 kA	50 kA	80 kA	50 kA	50 kA
For VDE 0636-2 NH Fuses of All Operating Classes With Power Dissipation Per Phase	9 W	12 W	23 W	34 W	48 W

Fuse Switch Disconnecter for Panel Mount and Busbar Mount

For Fuse Link Sizes	00	1
Type of Current	AC (50 - 60 Hz) DC	AC (50 - 60 Hz) -
Rated Operational Voltage (U_e)	690 V AC, 440 V DC	690 V AC
Rated Insulation Voltage (U_i)	800 V AC	800 V AC
Rated Surge Withstand Capacity (U_{imp})	6k V	6k V
Max. Rated Operating Current (I_e)	125 A	250 A
Conditional Rated Short-Circuit Current Using gG Fuse Links	50 kA size 00; 125 A - 690 V	50 kA size 1; 250 A - 690 V
For VDE 0636-2 NH Fuses of All Operating Classes With Power Dissipation Per Phase	10 W	23 W

Auxiliary Contacts



Item Description	Catalogue No.
Changeover switch 250 V AC / 5 A; 30 V DC / 4 A Fuse Sizes 000, 00, 2, 3	33156
Pilot Switch LID Position Fuse Size 1 Disconnect	33917

Shrouds for Cable Lugs

Top or bottom mount terminal covers.



Item Description	Catalogue No.
Busbar Mount Cable Lugs Shroud Size 00	79811

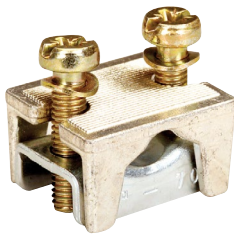
Item Description	Catalogue No.
3 Poles Base Mount Cable Shroud Suit Size 1	33142
4 Poles Base Mount Cable Shroud Suit Size 2	33143
5 Poles Base Mount Cable Shroud Suit Size 3	33144

Termination Options



Item Description	Catalogue No.
Wedge Clamp size 1 double each	33145
Wedge Clamp size 2 double each	33146
Wedge Clamp size 3 double each	33147

Item Description	Catalogue No.
Busbar Tunnel Terminal Size 00 each	01182



Item Description	Catalogue No.
Wedge Clamp size 1 single each	33166
Wedge Clamp size 2 single each	33167
Wedge Clamp size 3 single each	33168
Wedge Clamp size 00 single each	33224

DIN-NH Standard Switch Fuses (20 to 1250 A)



- ✓ 90-degree rotatory open-close. Supplied with handle and shaft for external operation
- ✓ Handles and switch fuse bodies both include a padlock facility to lock OFF the switch for lockout tagout (LOTO) insulation
- ✓ Suits DIN-NH fuse links 20 to 1250 A
- ✓ 100 kA fault rating
- ✓ 690 V AC rated
- ✓ Double breaking per pole (top and bottom) for isolated fuse removal
- ✓ Positive break indication
- ✓ TEST position for testing control circuits without energising the power poles using U-type auxiliary contacts
- ✓ Option: Fuse Monitoring Device for remote blown fuse indication
- ✓ Front Operated, Base mount
- ✓ Supplied with external handle and 320 mm shaft
- ✓ IP30
- ✓ Base Mounting

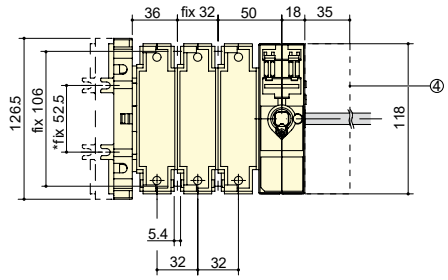
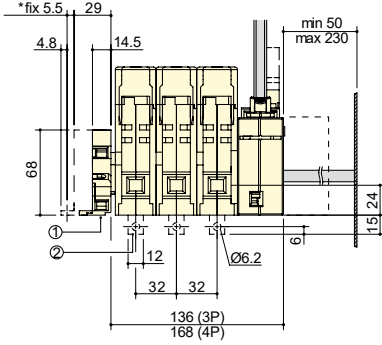
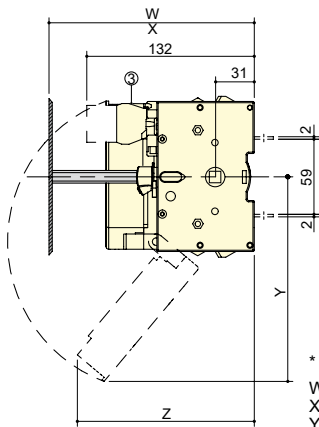


General

Un, Nominal Operational Voltage, AC	690	V AC
Ue, Rated Operational Voltage, AC	690	V AC
Ue, Rated Operational Voltage, DC, Max	440	V DC
Uimp, Impulse Withstand Voltage	8 - 12	kV
Rated Peak Withstand Current 550 V	80	kA
Maximum Operating Temperature With Derating	70	°C max
IP Rating	IP30 (using shrouds)	
Standards Compliance	IEC 60947-3 AS/NZS 60947-3 IEC 60269-2-1 DIN 43620-3 AS 60269.2.1	
Certifications	CCC KEMA	
Service Information	Product is not repairable. Please contact your local NHP sales representative for assistance.	



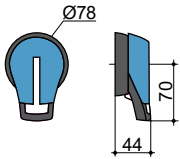
Dimensions for SSF BS (63 A) and DIN (63 A) Switch Fuses (mm)



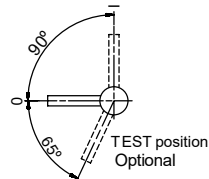
* to use if pre-break auxiliary contact number > 4
 W: 124 + N x 23.5 for BS; 139 for DIN
 X: 145 + N x 23.5 for BS; 145 for DIN
 Y: 159 only for DIN
 Z: 145 only for DIN

- ① S type auxiliary contact N/O + N/C to use if block number > 4.
- ② Rear connection (option).
- ③ 1 to 4 pre-break auxiliary contact for signalling.
- ④ Additional contact holder for U type AC.

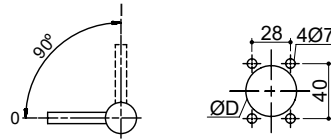
Door drilling



S1 handle

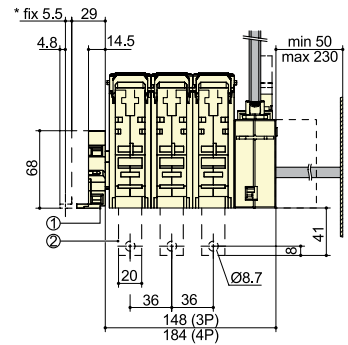
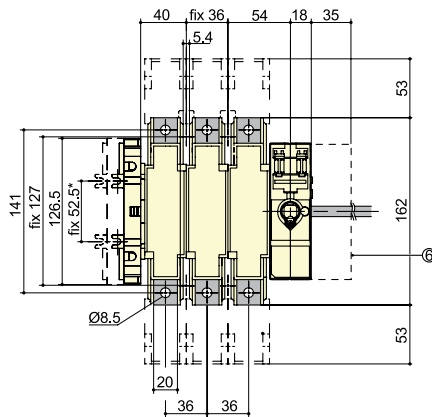
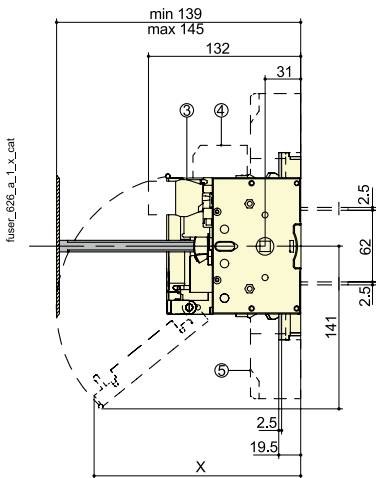


S type handle – front operation
 Conventional fixing (from rear): D = 31 to 37 mm
 Fast fixing (external, door closed): D = 37 mm



S type handle – side operation
 Conventional fixing (from rear): D = 31 to 37 mm
 Fast fixing (external, door closed): D = 37 mm

Dimensions for SSF BS (100 A) and DIN (125 A) Switch Fuses (mm)

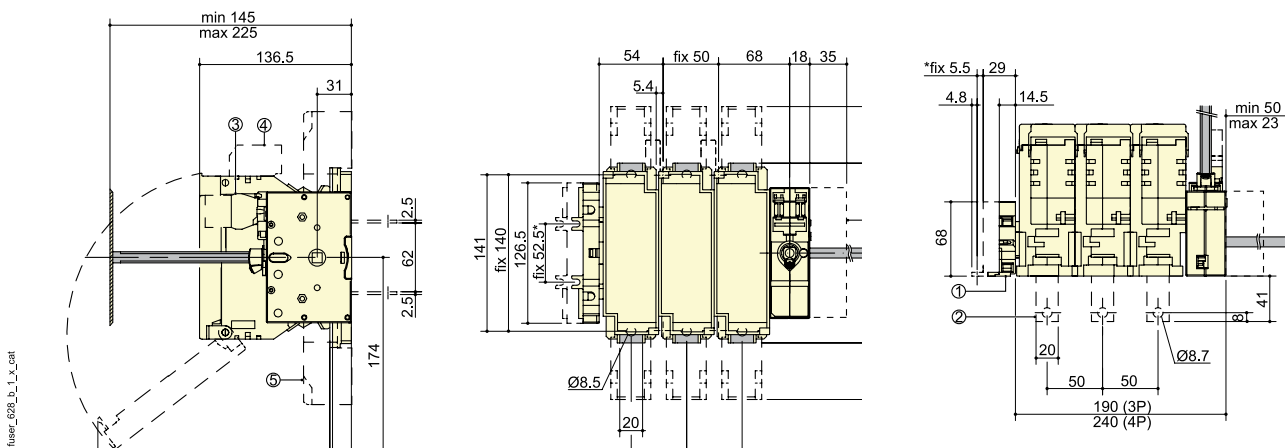


* to use if pre-break auxiliary contact number > 4
 X: 179 for BS88 / NFC and DIN 100 to 125 A
 189 for NFC and DIN 125 to 160 A

- ① S-type auxiliary contact NO + NC to use if block number > 4
- ② Rear connection (option)
- ③ 1 to 4 pre-break auxiliary contact for signalling
- ④ 1 or 2 pre-break auxiliary contact (fuse blown indication)
- ⑤ Terminal shrouds
- ⑥ Additional contact holder for U-type AC

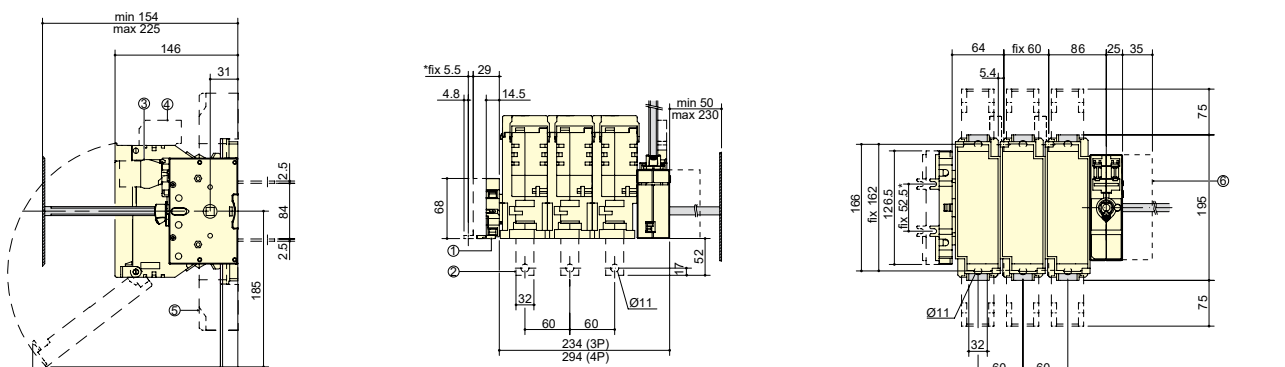


Dimensions for SSF BS (160 A) and DIN (160 A) Switch Fuses (mm)



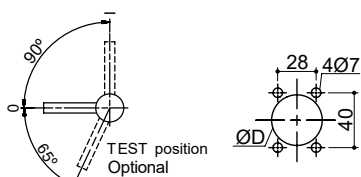
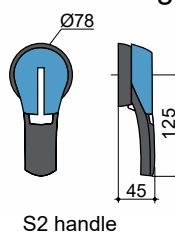
- * to use if pre-break auxiliary contact number > 4
- ① S-type auxiliary contact NO + NC to use if block number > 4
- ② Rear connection (option)
- ③ 1 to 4 pre-break auxiliary contact for signalling
- ④ 1 or 2 pre-break auxiliary contact (fuse blown indication)
- ⑤ Terminal shrouds
- ⑥ Additional contact holder for U-type AC

Dimensions for SSF BS (200 - 250 A) and DIN (250 A) Switch Fuses (mm)

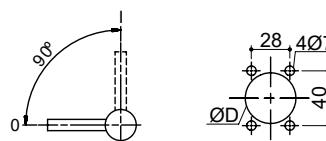


- * to use if pre-break auxiliary contact number > 4
- ① S type auxiliary contact N/O + N/C to use if block number > 4.
- ② Rear connection (option).
- ③ 1 to 8 pre-break auxiliary contact for signalling.
- ④ 1 or 2 pre-break auxiliary contact (fuse blown indication).
- ⑤ Terminal shrouds.
- ⑥ Additional contact holder for U type AC.

Door drilling



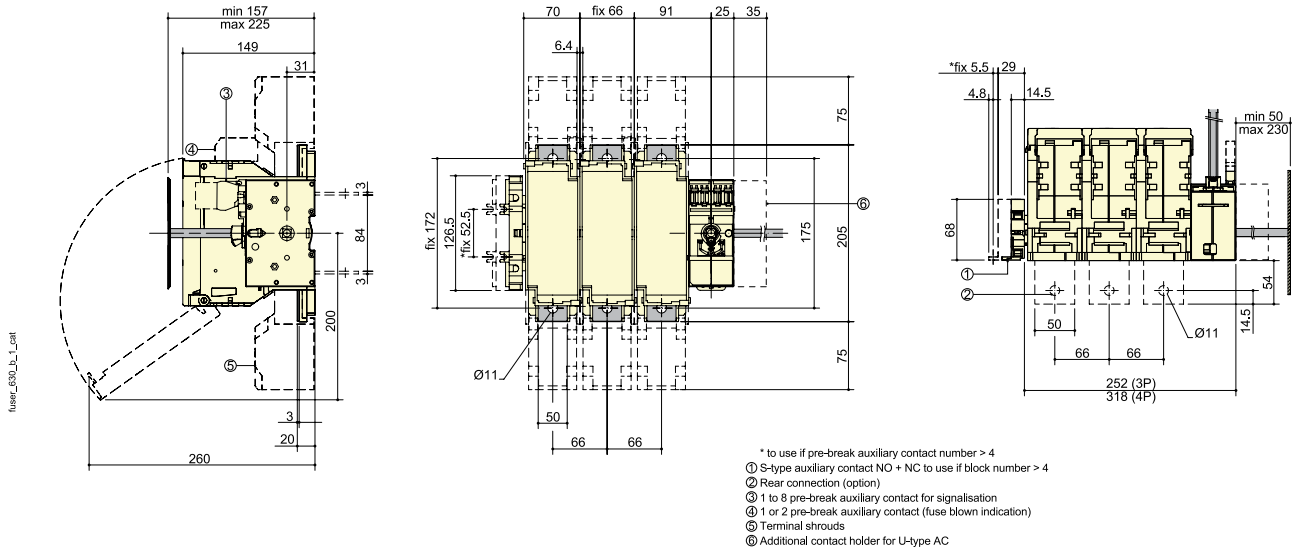
S type handle – front operation
Conventional fixing (from rear): D = 31 to 37 mm
Fast fixing (external, door closed): D = 37 mm



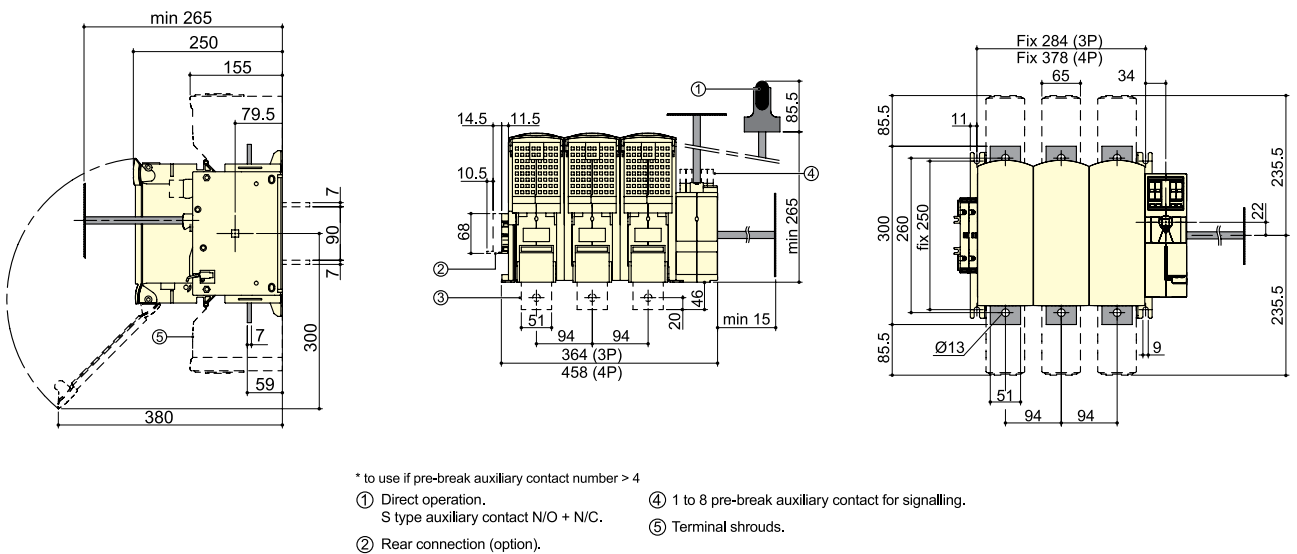
S type handle – side operation
Conventional fixing (from rear): D = 31 to 37 mm
Fast fixing (external, door closed): D = 37 mm



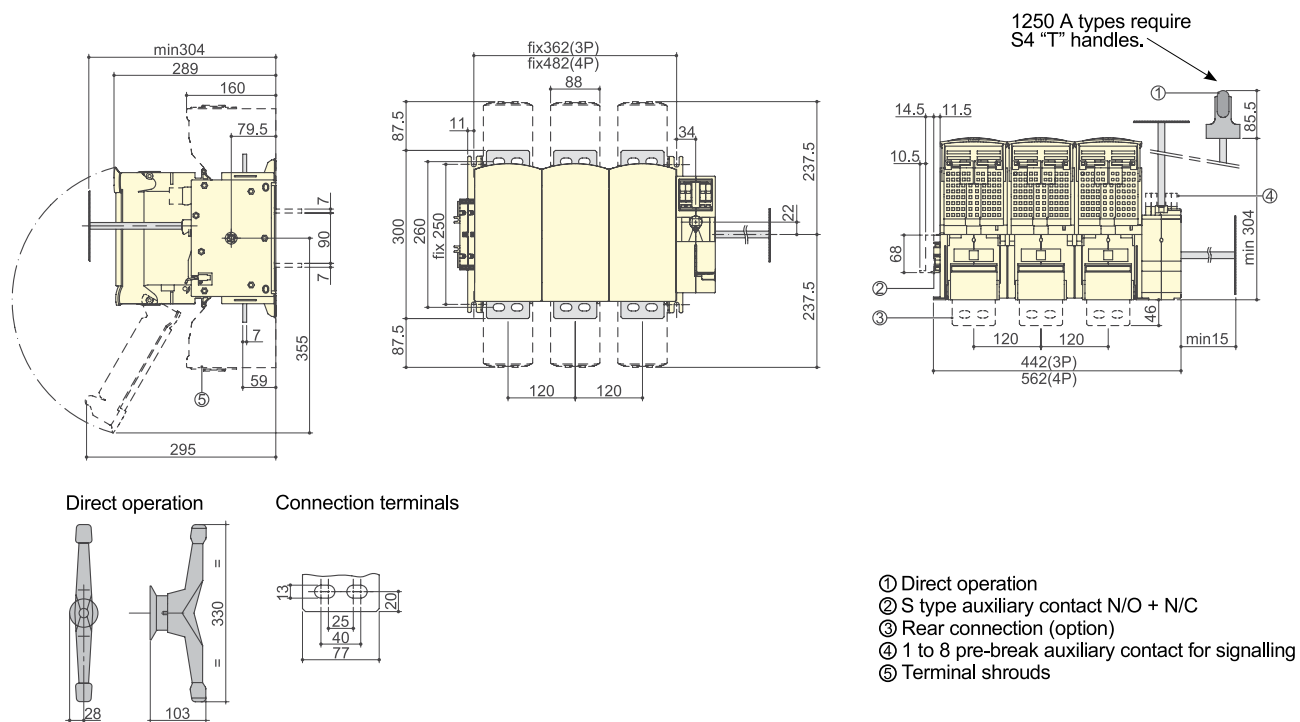
Dimensions for SSF BS (315 - 400 A) and DIN (400 A) Switch Fuses (mm)



Dimensions for SSF BS (630 - 800 A) and DIN (630 - 800 A) Switch Fuses (mm)



Dimensions for SSF BS (1250 A) and DIN (1250 A) (mm)





DIN-NH Standard Switch Fuses (20 to 1250 A)

Front operated, base mount (supplied with external handle and 320 mm shaft)

Fuse Rating (A)	DIN Cartridge Size	No. of Poles	AC - 21A (A @ 400 V)	AC - 23A (A @ 400 V)	AC - 23A (kW @ 400 V)	Catalogue No.
63	00	3	63	63	30	SSFDN633P
125	00	3	125	125	63	SSFDN1253P
160	00	3	160	160	80	SSFDN1603P
250	1	3	250	250	132	SSFDN2503P
400	2	3	400	400	220	SSFDN4003P
630	3	3	630	630	355	SSFDN6303P
800	3	3	800	800	450	SSFDN8003P
1250	4	3	1250	1000	560	SSFDN12503P
63	00	4	63	63	30	SSFDN634P
125	00	4	125	125	63	SSFDN1254P
160	00	4	160	160	80	SSFDN1604P
250	1	4	250	250	132	SSFDN2504P
400	2	4	400	400	220	SSFDN4004P
630	3	4	630	630	355	SSFDN6304P
800	3	4	800	800	450	SSFDN8004P
1250	4	4	1250	1000	560	SSFDN12504P

General (20 - 160 A)

				20 A	32C A	32 A	63 A	100 A	125 A	160 A	160 A
DIN or BS Fuse Types				BS	BS	BS	DIN / BS	BS	DIN	BS	DIN
Fuse Types, gG General Purpose AS 60269.2.1:2005, AS/NZS 60269.2.1:2001	DIN 43620	–	–	–	–	–	00C	–	0	–	0
	BS 88	–	–	A1	A1	A1	A2 - A3	A4	–	B1 - B2	–

Ratings Data (20 - 160 A)

				20 A	32C A	32 A	63 A	100 A	125 A	160 A	160 A
Rated Insulation Voltage	–	–	V	800	800	750	750	750	750	750	750
Rated Impulse Withstand Voltage	–	–	kV	8	8	8	8	8	8	8	8
AC Rated Operational Current	AC 21 A	400 V	A	20	32	32	63	100	125	160	160
		690 V	A	20	32	32	63	100 ¹⁾	125 ¹⁾	160 ¹⁾	160 ¹⁾
	AC 22 A	400 V	A	20	32	32	63	100	125	160	160
		690 V	A	20	32	32	63	100 ¹⁾	125 ¹⁾	160 ¹⁾	160 ¹⁾
	AC 23 A	400 V	A	20	32	32	63	100	125	160	160
		690 V	A	20	32	32	63	100 ¹⁾	100 ¹⁾	125 ¹⁾	125 ¹⁾
DC Rated Operational Current / Poles in Series	DC 21 A	220 V	A	–	–	32	63	100	125	160	160
		440 V	A	–	–	32 ²⁾	63 ²⁾	100 ²⁾	125 ²⁾	160 ²⁾	160 ²⁾
	DC 22 A	220 V	A	–	–	32	63	100	125	160	160
		440 V	A	–	–	32 ²⁾	63 ²⁾	100 ²⁾	125 ²⁾	160 ²⁾	160 ²⁾
	DC 21 A	220 V	A	–	–	32	40	100	100	125	125
		440 V	A	–	–	32 ²⁾	40 ²⁾	100 ²⁾	100 ²⁾	160 ²⁾	125 ²⁾
Operational Power	Without Pre-break AC	440 V	kW	9	15	15	30	51	63	80	80
	Without Pre-break AC	690 V	kW	15	25	25	55	90	90	110	110
Rated Capacitor Power	–	–	kVAr	8	15	15	28	45	55	75	75

Notes

1) With terminal shrouds/screen.

2) 4 pole device with 2 poles in series by polarity.

240 / 415 V ratings suitable for use on 230 / 400 V in accordance with AS 60038: 2012.

Ratings to AS/NZS 60947-3 and IEC 60947-3

General (200 - 1250 A)

				200 A	250 A	315 A	400 A	630 A	800 A	1250 A
DIN or BS Fuse Types				BS	DIN / BS	BS	DIN / BS	DIN / BS	DIN / BS	DIN / BS
Fuse Types, gG General Purpose AS 60269.2.1:2005, AS/NZS 60269.2.1:2001	DIN 43620	–	–	–	1	–	2	3	3	4
	BS 88	–	–	B1, B2	B1, B2, B3	B1, B2, B3	B1, B2, B3, B4	C1, C2	C1, C2, C3	D1

Ratings Data (200 - 1250 A)

				200 A	250 A	315 A	400 A	630 A	800 A	1250 A
Rated Insulation Voltage		V		750	750	800	800	1000	1000	1000
Rated Impulse Withstand Voltage		kV		8	8	8	8	12	12	12
AC Rated Operational Current	AC 21 A	400 V A		200	250	315	400	630	800	1250
		690 V A		200 ¹⁾	250 ¹⁾	315 ¹⁾	315	500	800	800
	AC 22 A	400 V A		200	250	315	400	630	800	1250
		690 V A		200 ¹⁾	250 ¹⁾	315 ¹⁾	315	500	800	800
	AC 23 A	400 V A		200	250	315	400	630	800	1000
		690 V A		200 ¹⁾	250 ¹⁾	250 ¹⁾	250	315	630	630
DC Rated Operational Current / Poles in Series	DC 21 A	220 V A		200	250	250	315	315	800	1250
		440 V A		250 ²⁾	250 ²⁾	250 ²⁾	315	315	800 ²⁾	1000 ²⁾
	DC 22 A	220 V A		200	250	250	315	315	800	1250
		440 V A		250 ²⁾	250 ²⁾	250 ²⁾	315	315	800 ²⁾	1000 ²⁾
	DC 21 A	220 V A		200	200	200	200	400	800	1250
		440 V A		200 ²⁾	200 ²⁾	200 ²⁾	250	315	800 ²⁾	1000 ²⁾
Operational Power	Without Pre-break AC	440 V kW		100	132	160	220	355	63	560
	Without Pre-break AC	690 V kW		150	220	222	220	295	90	400
Rated Capacitor Power	–	–	kVAr	90	115	145	185	290	365	460

Notes

1) With terminal shrouds/screen.

2) 4 pole device with 2 poles in series by polarity.

240 / 415 V ratings suitable for use on 230 / 400 V in accordance with AS 60038: 2012.

Ratings to AS/NZS 60947-3 and IEC 60947-3



Connection (20 - 160 A)

				20 A	32C A	32 A	63 A	100 A	125 A	160 A	160 A
Connection Cable Size (Min. / Max.)	–	–	mm ²	2.5 / 16	2.5 / 16	6 / 25	10 / 25	25 / 95	35 / 95	50 / 95	50 / 95

Physical (20 - 160 A)

				20 A	32C A	32 A	63 A	100 A	125 A	160 A	160 A
Mechanical Endurance	–	–	Ops	20000	20000	10000	10000	10000	10000	10000	10000
Weight (3 Pole)	–	–	Kg	0.5	0.5	1.0	1.3	1.8	1.9	2.5	2.5

Short-Circuit Capacity (20 - 160 A)

				20 A	32C A	32 A	63 A	100 A	125 A	160 A	160 A
Short Circuit Capacity											
Switch-Fuse Cut-Off Current (kA Peak)	–	400 V	kA	5.5	5.5	9	10.6	20	20	20	22.7
Fuse Protected Short Circuit Withstand	–	400 V	kA	80	80	80	80	80	–	50	80
AC DIN or BS (kA RMS Prospective)	–	Fuse	A	20	32	32	63	100	–	160	160

Notes

240 / 415 V ratings suitable for use on 230 / 400 V in accordance with AS 60038: 2012.

Ratings to AS/NZS 60947-3 and IEC 60947-3

Connection (200 - 1250 A)

				200 A	250 A	315 A	400 A	630 A	800 A	1250 A
Connection Cable Size (Min. / Max.)	–	–	mm ²	94 / 240	94 / 240	185 / 240	185 / 240	2 x 150 / 2 x 300	2 x 185 / 2 x 300	4 x 185

Physical (200 - 1250 A)

				200 A	250 A	315 A	400 A	630 A	800 A	1250 A
Mechanical Endurance	–	–	Ops	10000	10000	10000	10000	8000	8000	8000
Weight (3 Pole)	–	–	Kg	3.8	3.8	4.8	4.8	18.7	19.8	25.0

Short-Circuit Capacity (200 - 1250 A)

				200 A	250 A	315 A	400 A	630 A	800 A	1250 A
Short Circuit Capacity										
Switch-Fuse Cut-Off Current (kA Peak)	–	400 V	kA	32.5	32.5	40	40	70	80	90
Fuse Protected Short Circuit Withstand	–	400 V	kA	80	80	80	80	80	80	–
AC DIN or BS (kA RMS Prospective)	–	Fuse	A	200	250	315	400	630	800	–

Notes

240 / 415 V ratings suitable for use on 230 / 400 V in accordance with AS 60038: 2012.

Ratings to AS/NZS 60947-3 and IEC 60947-3

Socomec Switch Fuse Direct Mount Handles

Direct Mount Handles

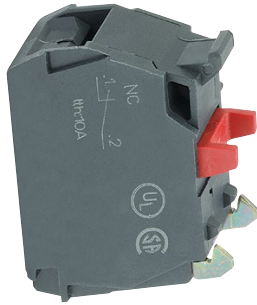
Switch fuse bodies can be padlocked OFF



Item Description	Catalogue No.
Direct Mount Handle Suits SSF 20 A - 32 A	36294012
Direct Mount Handle Suits SSF 63 A - 400 A	36297910
Direct Mount Handle Suits SSF 630 A - 800 A	38996011
Direct Mount Handle Suits SSF 800 A - 1250 A	38997011

Socomec Switch Fuse Auxiliaries

Early Break Operation



Item Description	Catalogue No.
Auxiliary 1 N/O suits Switch Fuse SSF 20 - 32 A	39990701
AUX 1 N/C suits Switch Fuse VLB32 - 40 and 125 - 500, SSF 63 - 400 A	39990702

Item Description	Catalogue No.
Auxiliary Side 1 N/O / 1 N/C 1st Pos. suits Switch Fuse SSF 63 - 800 A	39990041
Auxiliary Side 1 N/O / 1 N/C 2nd Pos. suits Switch Fuse SSF 800 - 1250 A	39990042

Socomec Switch Fuse Terminal Shrouds

- Top or bottom touch protection from direct contact with terminals or connection parts
- Perforations allow remote thermographic inspection without the need to remove the shrouds
- The shrouds provide phase protection barriers between phases
- The terminals shrouds consist of clip-together 1 pole covers, and can be converted to 3 or 4 pole types
- IP20 rating from front



Item Description	Catalogue No.
Terminal Shroud 3 Pole suits Switch Fuse 630 A and 800 A	38983080
Terminal Shroud 3 Pole suits Switch Fuse 1250 A	38983120
Terminal Shroud 4 Pole suits Switch Fuse 630 A and 800 A	38984080
Terminal Shroud 4 Pole suits Switch Fuse 1250 A	38984120
Terminal Shroud 3 Pole suits Switch Fuse VLB125 - 200 SSF100 - 160	39983016
Terminal Shroud 4 Pole suits Switch Fuse VLB125 - 200 SSF100 - 160	39984016
Terminal Shroud 3 Pole suits Switch Fuse VLB250 - 500 SSF200 - 400	39983025
Terminal Shroud 4 Pole suits Switch Fuse VLB250 - 500 SSF200 - 400	39984025

Socomec Switch Fuse Solid Neutral Modules

Solid links can be used, when a user wants a switch fuse to be an isoator, and when fuse links are not fitted. Performs the function of an add-on, unswitched neutral pole.



Item Description	Catalogue No.
Solid Neutral Module Suits Switch Fuse 32 A	36299227
Solid Neutral Module Suits Switch Fuse 63 A	36299232
Solid Neutral Module Suits Switch Fuse 100 A	36299236
Solid Neutral Module Suits Switch Fuse 160 A	36299250
Solid Neutral Module Suits Switch Fuse 200 A and 250 A	36299260
Solid Neutral Module Suits Switch Fuse 315 A and 400 A	36299266
Solid Neutral Module Suits Switch Fuse 630 A and 800 A	36299294

DIN Solid Links

Din Fuse Solid Link

A solid link can be installed in a switch fuse, when a fuse is not required.



Item Description	Catalogue No.
Fuse DIN Solid Links 160 A Size 00C	64200000
Solid Link Fuse DIN 160 A Size 00	64210000
Fuse DIN Solid Links 250 A Size 1	64210001
Fuse DIN Solid Links 400 A Size 2	64210002
Fuse DIN Solid Links 630 A Size 3	64210003
Fuse DIN Solid Links 1250 A Size 4	64410005

BS Fuse Holders for Clip-In Offset Tag Fuse Links



- ✓ Pull to disconnect circuit and remove fuse
- ✓ Suits offset tag links 2 to 63 A
- ✓ Type gG general purpose rated
- ✓ 550 V AC rated
- ✓ Complies to BS standard
- ✓ DIN rail mount



General

Un, Nominal Operational Voltage, AC	550	V AC
--	-----	------

Ue, Rated Operational Voltage, AC	550	V AC
--	-----	------

Uimp, Impulse Withstand Voltage	8	kV
--	---	----

Rated Peak Withstand Current 550 V	80	kA
---	----	----

Maximum Operating Temperature With Derating	70	°C max
--	----	--------

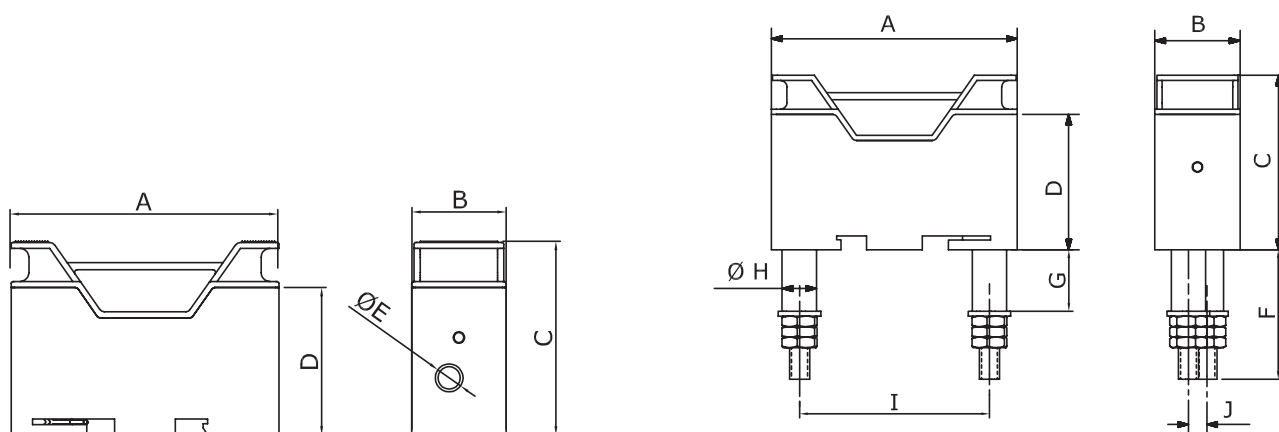
IP Rating	IP2X
------------------	------

Standards Compliance	BS 88 AS 60269.1
-----------------------------	---------------------

Certifications	ASTA
-----------------------	------

Service Information	Product is not repairable. Please contact your local NHP sales representative for assistance.
----------------------------	---

Dimensions for BS Fuse Link Holders (NV Clip-In) (mm)



Fuse Holder Type	A	B	C	D	E	F	G	H	I	J	K
NV32FW	75.5	26.5	54	41.5	7.8	-	-	-	-	-	-
NV32FWW	75.5	26.5	54	41.5	-	40	17	9.7	58	5.6	-
NV32BBS	75.5	26.5	54	41.5	7.8	40	17	9.7	-	-	2.7
NV63FW	89	28.5	64	48.6	9	-	-	-	-	-	-
NV63BBS	89	28.5	64	48.6	9	39	18.3	12	-	-	3.3

NV Clip in Fuse Holder for Clip-In Fuse Links

Connection Mode	Fuse Rating (A)	Housing (Colour)	H x W x D (mm)	Wire Conductor Size (mm)	Ue Max (V AC)	Catalogue No.
Rear Stud, Rear Stud	32	Black	75.5 x 27 x 56	1 mm ² - 16 mm ²	550	NV32BBS
Front Wired, Front Wired	32	Black	75.5 x 27 x 56	1 mm ² - 16 mm ²	550	NV32FW
Front Wired, Front Wired	32	White	75.5 x 27 x 56	1 mm ² - 16 mm ²	550	NV32FWW
Front Wired, Front Wired	63	Black	88.5 x 30 x 63	1 mm ² - 25 mm ²	550	NV63BBS
Front Wired, Front Wired	63	Black	88.5 x 30 x 63	1 mm ² - 25 mm ²	550	NV63FW

General Data

	NV32	NV63	
Rated Current	32	63	A
Un, Nominal Operational Voltage, AC	550	550	V AC
Ue, Rated Operational Voltage, AC	550	550	V AC
Ue, Rated Operational Voltage, DC, Max	250	-	V DC
Uimp, Impulse Withstand Voltage	8	8	kV
Rated Peak Withstand Current 550 V	80	80	-
Maximum Operating Temperature With Derating	70	70	°C max
IP Rating	IP2X	IP2X	-
Standards Compliance	BS 88	BS 88	-
Certifications	ASTA	ASTA	-
Fitted Fuse Link Size / Type	F1	F2	-
Service Information	Product is not repairable. Please contact your local NHP sales representative for assistance.	Product is not repairable. Please contact your local NHP sales representative for assistance.	-

Connection

	NV32	NV63	
Connection Mode	Front Wired, Front Wired / Rear Stud, Rear Stud	Front Wired, Front Wired / Rear Stud, Rear Stud	-
Mounting	DIN-35 Rail Mount	DIN-35 Rail Mount	-
Mounting Screw Option	M5	M5	-
Maximum Terminal Torque	3.5	4	Nm
Wire / Conductor Size (Max)	16	25	mm ² (Max)
Wire / Conductor Size (Min)	1	1	mm ² (Min)



BS Fuse Holders for Bolt-In Offset Tag Fuse Links



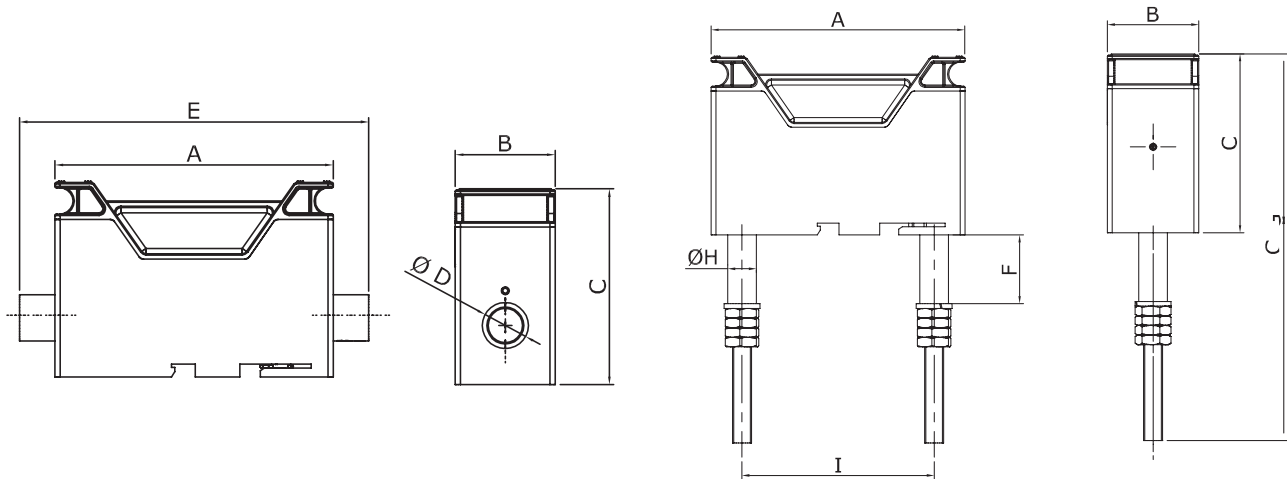
- ✓ Pull to disconnect circuit and remove fuse
- ✓ Suits bolt-in fuse links 32 to 125 A
- ✓ gG general purpose rated
- ✓ 550 V AC and 690 V AC ratings
- ✓ Complies to BS standard
- ✓ DIN rail mountable



General

Un, Nominal Operational Voltage, AC	550 / 690	V AC
Ue, Rated Operational Voltage, AC	550 / 690	V AC
Uimp, Impulse Withstand Voltage	8	kV
Rated Peak Withstand Current at Rated Voltage	80	kA
Maximum Operating Temperature With Derating	70	°C max
IP Rating	IP2X	
Standards Compliance	BS 88 AS 60269.1	
Certifications	ASTA	
Service Information	Product is not repairable. Please contact your local NHP sales representative for assistance.	

Dimensions for BS Fuse Link Holders (NC Bolt-In) (mm)



Fuse Holder Type	A	B	C	D	E	F	G	H	I
NC32FW	77.2	97.2	56	9	97.2	-	-	-	-
NC32FWW	77.2	97.2	56	-	-	28.6	122	11.9	58
NC63FW	105.8	38	74.5	17.5	132.8	-	-	-	-
NC125FW	134	48.9	97.8	17.5	165.7	-	-	-	-
NC125BBSFW	134	48.9	97.8	-	-	28.6	184.4	11.9	-

NC Clip in Fuse Holder for Bolts in Fuse Links

Connection Mode	Fuse Rating (A)	H x W x D (mm)	Wire Conductor Size (mm)	Ue Max (VAC)	Fitted Fuse Link Size	Catalogue No.
Front Wired, Front Wired	32	97 x 27 x 57	1 mm ² - 16 mm ²	550	A1	NC32FW
Front Wired, Front Wired	63	106 x 38 x 75	1 mm ² - 25 mm ²	690	A2 - A3	NC63FW
Front Wired, Front Wired	125	166 x 49 x 98	6 mm ² - 50 mm ²	690	A4	NC125FW
Back Bolt Stud	125	134 x 49 x 98	(M8 thread)	690	A4	NC125BBS



General Data

	NC32	NC63	NC125	
Rated Current	32	63	125	A
Un, Nominal Operational Voltage, AC	550	690	690	V AC
Ue, Rated Operational Voltage, AC	550	690	690	V AC
Ue, Rated Operational Voltage, DC, Max	-	-	-	V DC
Uimp, Impulse Withstand Voltage	8	8	8	kV
Rated Peak Withstand Current 550 V at Rated Voltage	80	80	80	
Maximum Operating Temperature With Derating	70	70	70	°C max
IP Rating	IP2X	IP2X	IP2X	-
Standards Compliance	BS 88, AS 60269.1	BS 88, AS 60269.1	BS 88, AS 60269.1	-
Certifications	ASTA	ASTA	ASTA	-
Fitted Fuse Link Size / Type	A1	A2 - A3	A4	-
Service Information	Product is not repairable. Please contact your local NHP sales representative for assistance.	Product is not repairable. Please contact your local NHP sales representative for assistance.	Product is not repairable. Please contact your local NHP sales representative for assistance.	-

Connection

	NC32	NC63	NC125	
Connection Mode	Front Wired	Front Wired	Front Wired / Rear Stud, Rear Stud	-
Mounting	DIN-35 Rail Mount / Panel Mount	DIN-35 Rail Mount / Panel Mount	DIN-35 Rail Mount / Panel Mount	-
Mounting Screw Option	M5	M5	M5	-
Maximum Terminal Torque	3.5	3.5	4	Nm
Wire / Conductor Size (Max)	16	50	70	mm ² (Max)
Wire / Conductor Size (Min)	1	1	1	mm ² (Min)
Rear Stud (Type) Size	-	-	M8	-

BS Fuse Links Clip-In Offset Tag



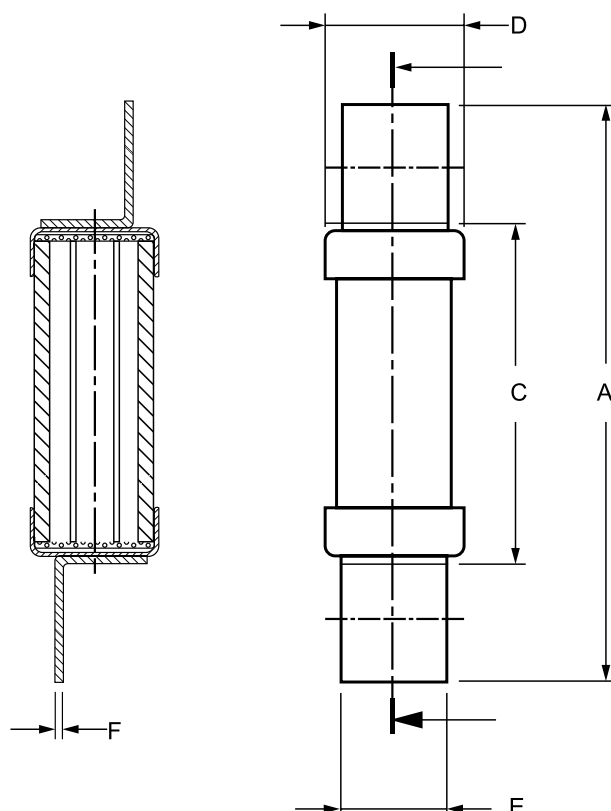
- ✓ Complies to BS standard
- ✓ 80 kA fault interruption capacity
- ✓ Type gG for general, cable, line and motor protection
- ✓ 2 to 63 A range
- ✓ 415 V AC rated



General

Un, Nominal Operational Voltage, AC	415 / 500	V AC
Ue, Rated Operational Voltage, AC	415 / 500	V AC
Uimp, Impulse Withstand Voltage	6	kV
Maximum Operating Temperature With Derating	70	°C max
Standards Compliance	IEC 60269-1 IEC 60269-2 VDE 0636-10 DIN 43620 AS 60269-1:2005 BS 88	
Certifications	ASTA	

Dimensions for BS Fuse Links (NNS, NES) (mm)



Series	Category	Brand	A Overall Length	B Fitting Centres	C Body Length	D Body Diameter	E Tag Width	F Tag Thickness	G Hole Length	H Hole Width
NNS2-32	F1	FuseMaster	60.0	-	35.0	14.2	11.0	0.8	-	-
NNS20M	F1	FuseMaster	62.0	-	35.0	14.3	11.5	0.8	-	-
NNS32M	F1	FuseMaster	62.0	-	39.0	17.5	11.5	0.8	-	-
NES20-63	F2	FuseMaster	69.0	-	39.0	17.5	15.0	1.4	-	-

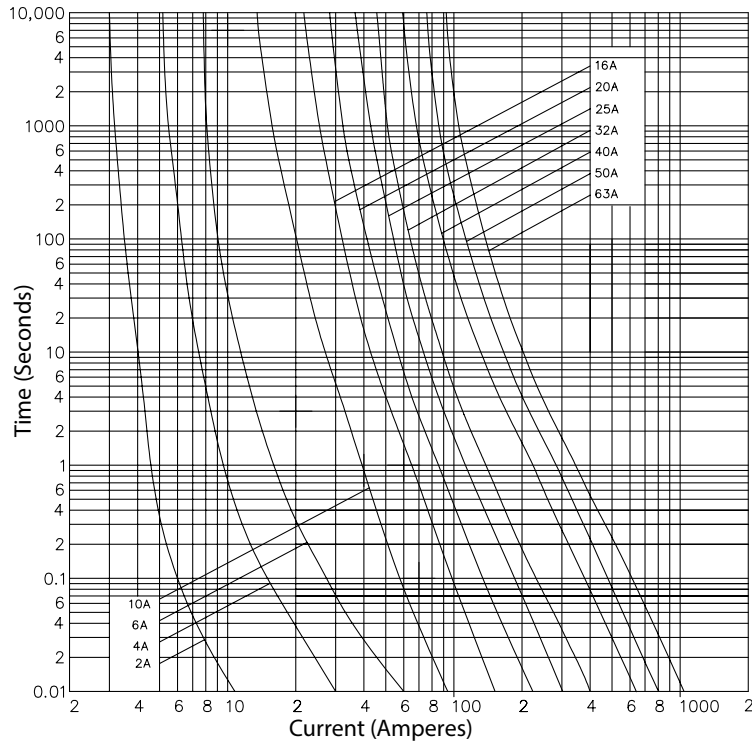


BS Fuse Links Clip-In Offset

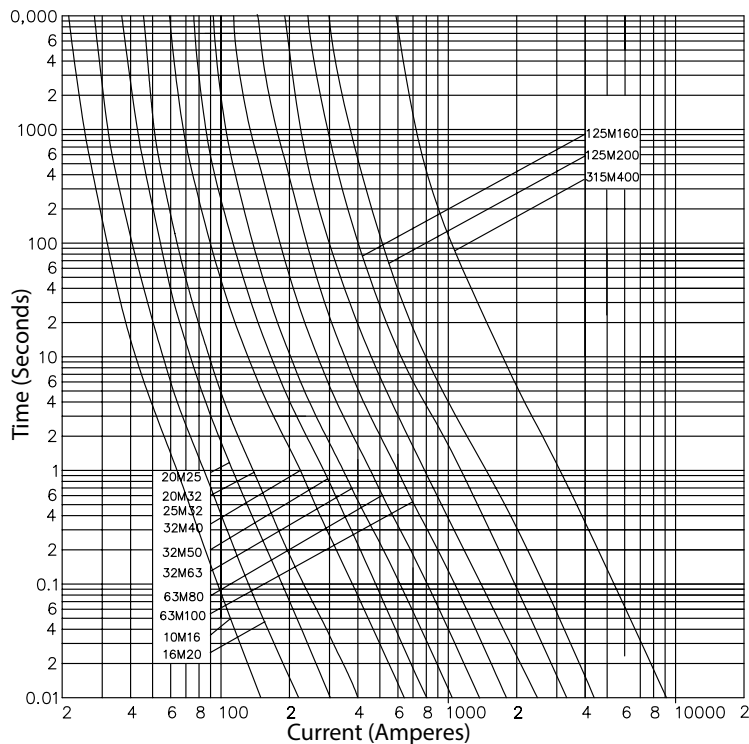
Amp Rating (A)	Voltage Rating (V AC)	Utilisation Category	Breaking Capacity at Rated Voltage (kA)	Catalogue No.
2	415	gG	80	NNS2
4	415	gG	80	NNS4
6	415	gG	80	NNS6
8	415	gG	80	NNS8
10	415	gG	80	NNS10
16	415	gG	80	NNS16
20	415	gG	80	NNS20
25	415	gG	80	NNS25
32	415	gG	80	NNS32
10M16	415	gM	80	NNS10M16
16M20	415	gM	80	NNS16M20
20M25	415	gM	80	NNS20M25
25M32	415	gM	80	NNS25M32
32M40	415	gM	80	NNS32M40
32M50	415	gM	80	NNS32M50
32M63	415	gM	80	NNS32M63
20	415	gG	80	NES20
25	415	gG	80	NES25
32	415	gG	80	NES32
40	415	gG	80	NES40
50	415	gG	80	NES50
63	415	gG	80	NES63



Time Current Curve 2 to 63 A



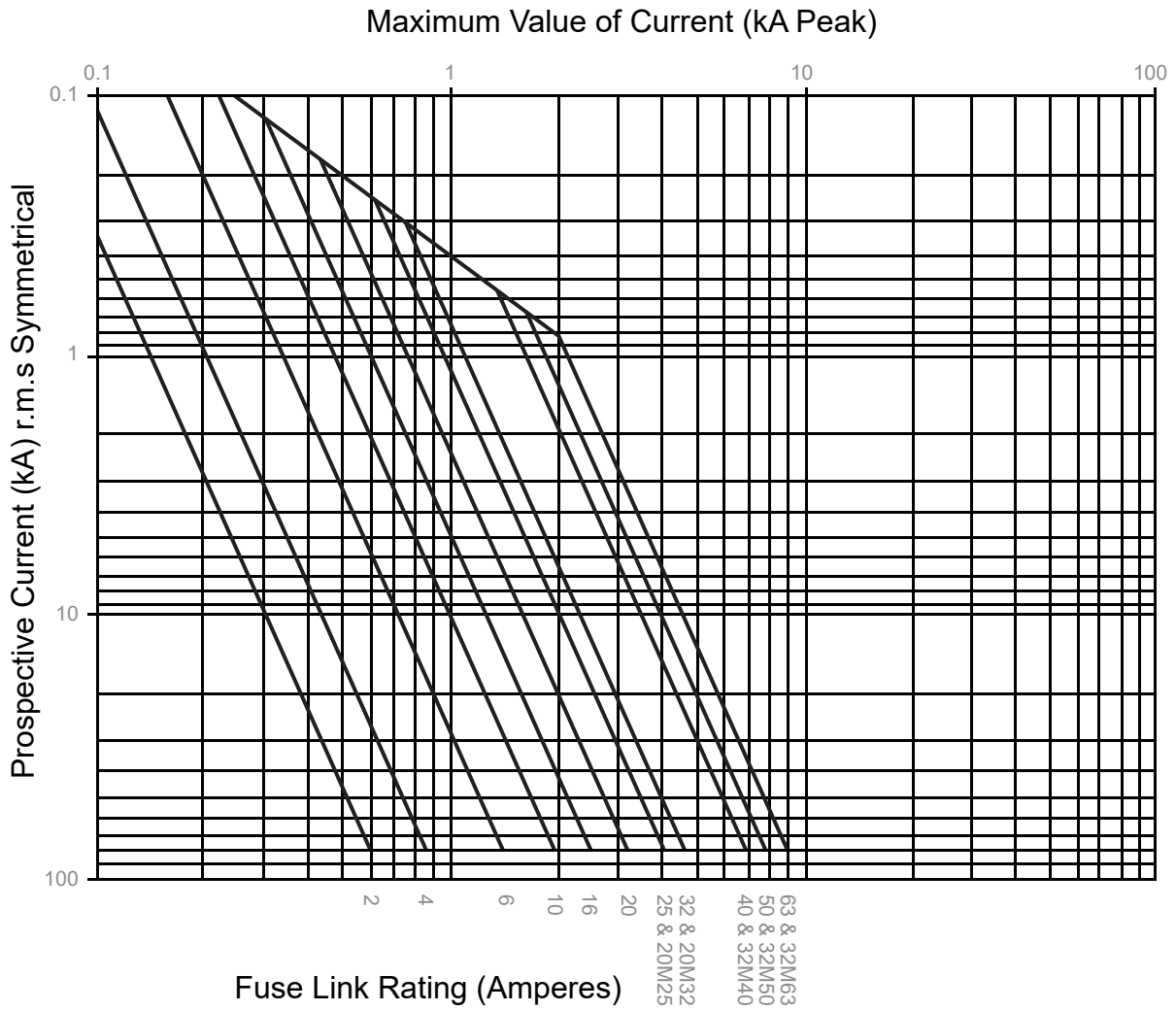
Time Current Curves "M" Motor Start Fuses 2 to 63 A





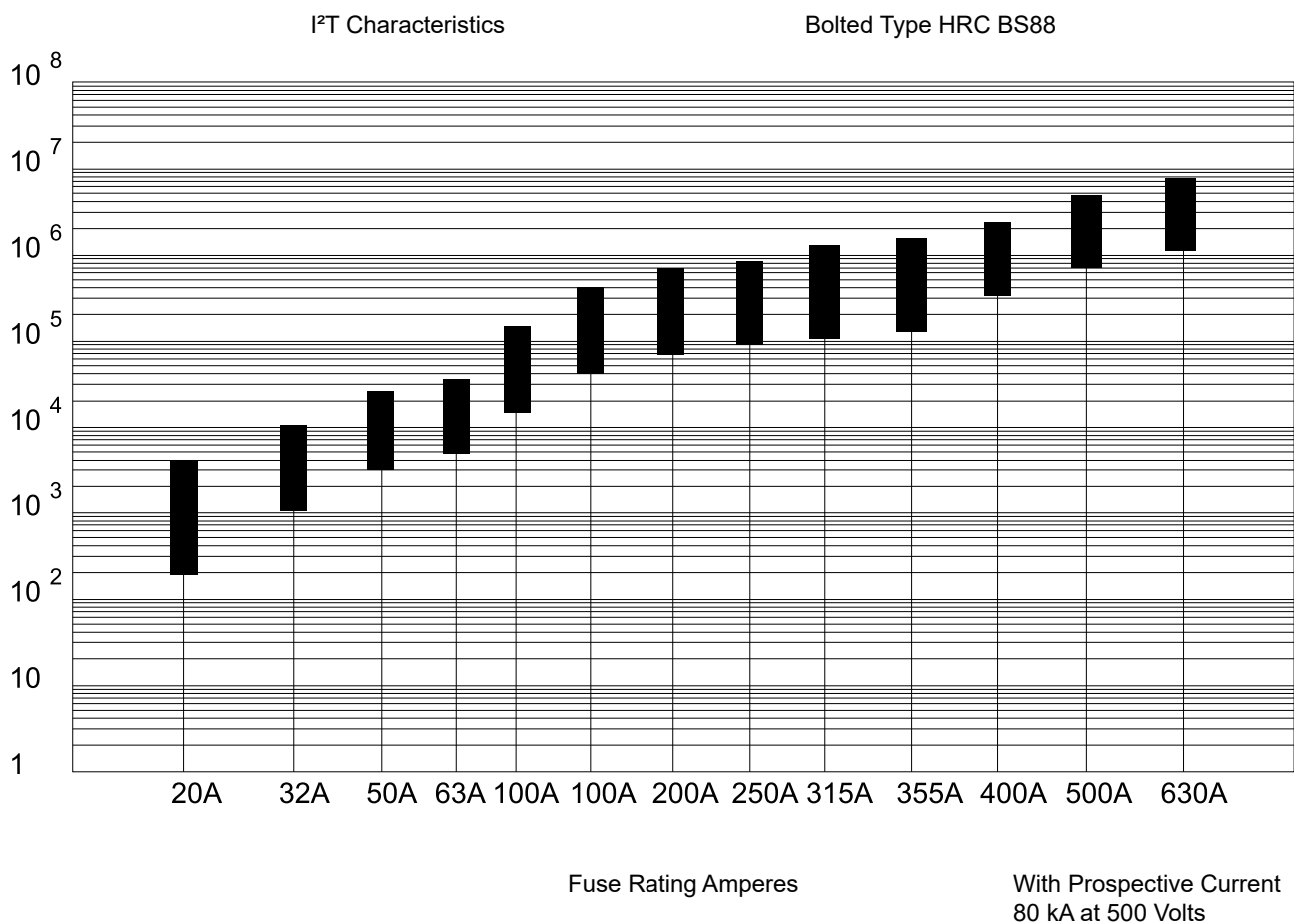
Cut-Off Characteristics Offset Tag Fuses 2 A to 63 A

Fuses and Bases





Energy Let Through 20 to 630 A



BS Fuse Links Bolt-In Offset Tag



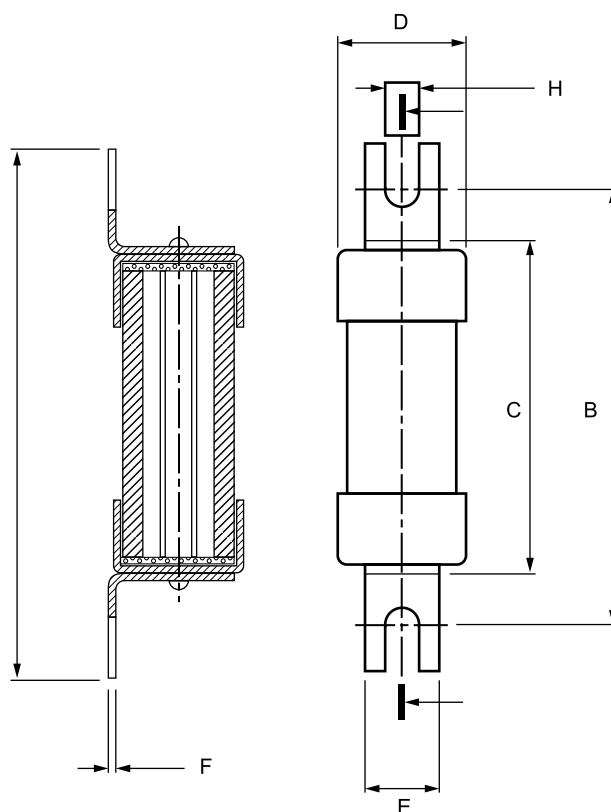
- ✓ Complies to BS Standard
- ✓ 80 kA fault interruption capacity
- ✓ Type gG and gM general, cable and motor protection
- ✓ 2 to 200 A range
- ✓ 415 / 500 V AC rated



General

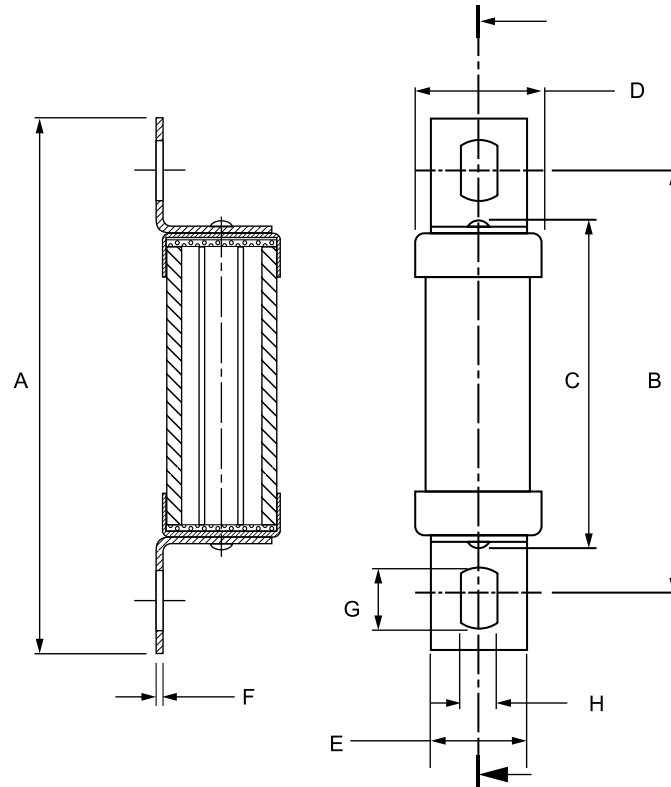
Un, Nominal Operational Voltage, AC	415 / 500	V AC
Ue, Rated Operational Voltage, AC	415 / 500	V AC
Uimp, Impulse Withstand Voltage	6	kV
Maximum Operating Temperature With Derating	70	°C max
Standards Compliance	IEC 60269-1 IEC 60269-2 VDE 0636-10 DIN 43620 AS 60269-1:2005 BS 88	
Certifications	ASTA	

Dimensions for BS Fuse Links (NNIT) (mm)



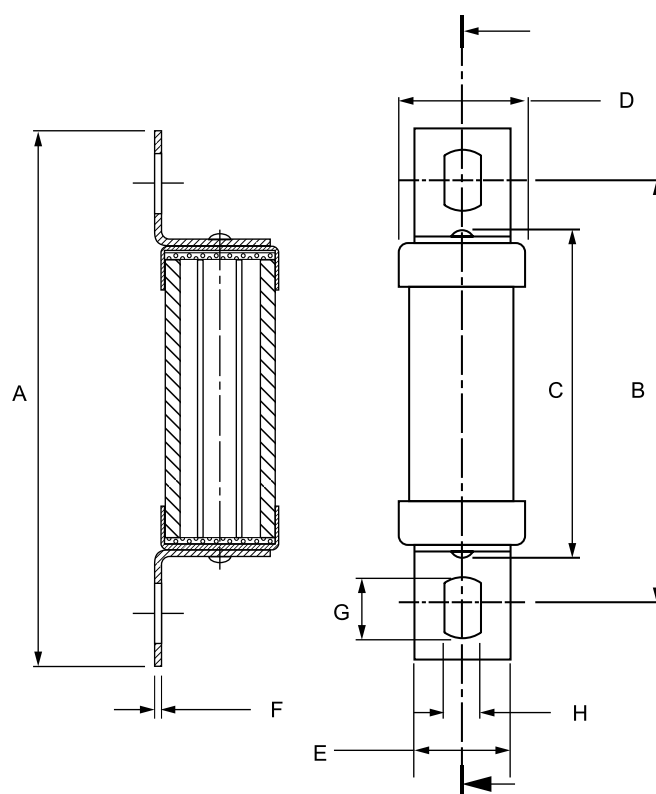
Series	Category	Brand	A Overall Length	B Fitting Centres	C Body Length	D Body Diameter	E Tag Width	F Tag Thickness	G Hole Length	H Hole Width
NNIT 2 – 32	A1	FuseMaster	55.0	44.5	35.0	14.2	10.5	0.8	-	4.8
NNIT 20M	A1	Lawson	56.0	44.5	33.0	12.7	9.5	0.8	-	4.8

Dimensions for BS Fuse Links (NTIA, NTIS, NOS) (mm)



Series	Category	Brand	A Overall Length	B Fitting Centres	C Body Length	D Body Diameter	E Tag Width	F Tag Thickness	G Hole Length	H Hole Width
NTIA 2 – 32	A2	Mersen	84.5	73	55	13.5	8.7	1.2	8	5.5
NTIA 32M	A2	Mersen	86	73	49	21.9	9	1.2	8	5.5
NTIS 36 – 63	A3	Mersen	88.5	73	56	17.5	-	1.2	-	5.5
NTIS 80 – 100	A3	Mersen	89	73	49	26.9	13	1.2	-	5.5
NTIS 63M	A3	Mersen	89	73	49	26	13	1.2	-	5.5
NTIS 100M	A3	Mersen	89	73	49	26	13	1.2	-	5.5
NOS 80 - 100	as A3	FuseMaster	89	73	49	26	13	1.2	-	5.5
NOS 100M	as A3	Lawson	89	73	49	TBC	13	1.2	-	5.5

Dimensions for BS Fuse Links (NTCP, NTFP) (mm)



Series	Category	Brand	A Overall Length	B Fitting Centres	C Body Length	D Body Diameter	E Tag Width	F Tag Thickness	G Hole Length	H Hole Width
NTCP 20 – 40	A4	FuseMaster	110	94	51	22	20	2.4	11	8.7
NTCP 50 – 100	A4	FuseMaster	110	94	64.5	31.8	17	2.4	10	8.7
NTCP 125 – 160	A4	Mersen	110	94	64.5	26.9	17	2.4	10	8.7
NTCP 100M	A4	Lawson	110	94	51	35	20	2.4	11	8.7
NTFP 125 – 200	as A4	FuseMaster	110	94	73.5	39.5	19	2.4	11	8.7
NTFP 200M	as A4	Lawson	110	94	51	41	20	2.4	11	8.7



Bolt-In Offset Tag Fuses

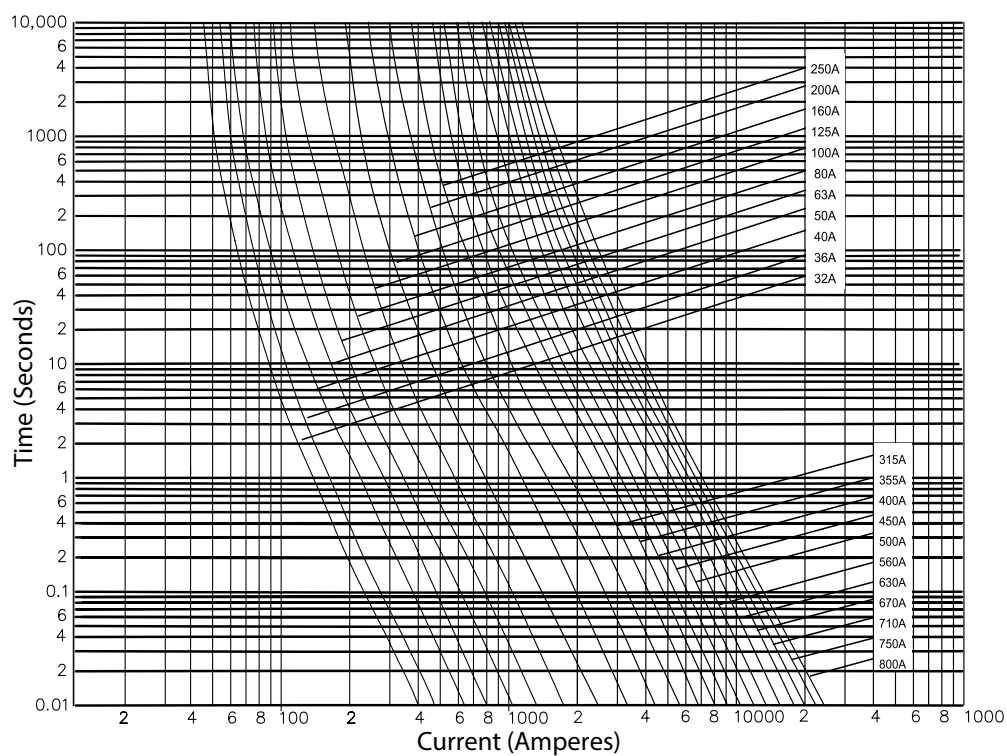
Fuse Rating (A)	Cartridge Size	Ue Max (V AC)	Fuse Characteristics Type	Breaking Capacity @ Rated Voltage (kA)	Catalogue No.
2	A1	500	gG	80	NNIT2
4	A1	500	gG	80	NNIT4
6	A1	500	gG	80	NNIT6
10	A1	500	gG	80	NNIT10
16	A1	500	gG	80	NNIT16
20	A1	500	gG	80	NNIT20
25	A1	500	gG	80	NNIT25
32	A1	500	gG	80	NNIT32
20M25	A1	415	gM	80	NNIT20M25
20M32	A1	415	gM	80	NNIT20M32
32M40	A1	415	gM	80	NNIT32M40
32M50	A1	415	gM	80	NNIT32M50
32M63	A1	415	gM	80	NNIT32M63
2	A2	500	gG	80	NTIA2
4	A2	500	gG	80	NTIA4
6	A2	500	gG	80	NTIA6
10	A2	500	gG	80	NTIA10
16	A2	500	gG	80	NTIA16
20	A2	500	gG	80	NTIA20
25	A2	500	gG	80	NTIA25
32	A2	500	gG	80	NTIA32
32M40	A2	415	gM	80	NTIA32M40
32M50	A2	415	gM	80	NTIA32M50
32M63	A2	415	gM	80	NTIA32M63
36	A3	500	gG	80	NTIS36
40	A3	500	gG	80	NTIS40
50	A3	500	gG	80	NTIS50



Fuse Rating (A)	Cartridge Size	Ue Max (V AC)	Fuse Characteristics Type	Breaking Capacity @ Rated Voltage (kA)	Catalogue No.
63	A3	500	gG	80	NTIS63
80	A3	500	gG	80	NTIS80
63M80	A3	415	gM	80	NTIS63M80
63M100	A3	415	gM	80	NTIS63M100
80	A3	500	gG	80	NOS83
100	A3	500	gG	80	NOS100
100M125	A3	415	gM	80	NOS100M125
100M160	A3	415	gM	80	NOS100M160
80	A4	500	gG	80	NTCP80
100	A4	500	gG	80	NTCP100
100M125	A4	415	gM	80	NTCP100M125
100M160	A4	415	gM	80	NTCP100M160
125	A4	500	gG	80	NTFP125
160	A4	500	gG	80	NTFP160
200	A4	500	gG	80	NTFP200
200M250	A4	415	gM	80	NTFP200M250



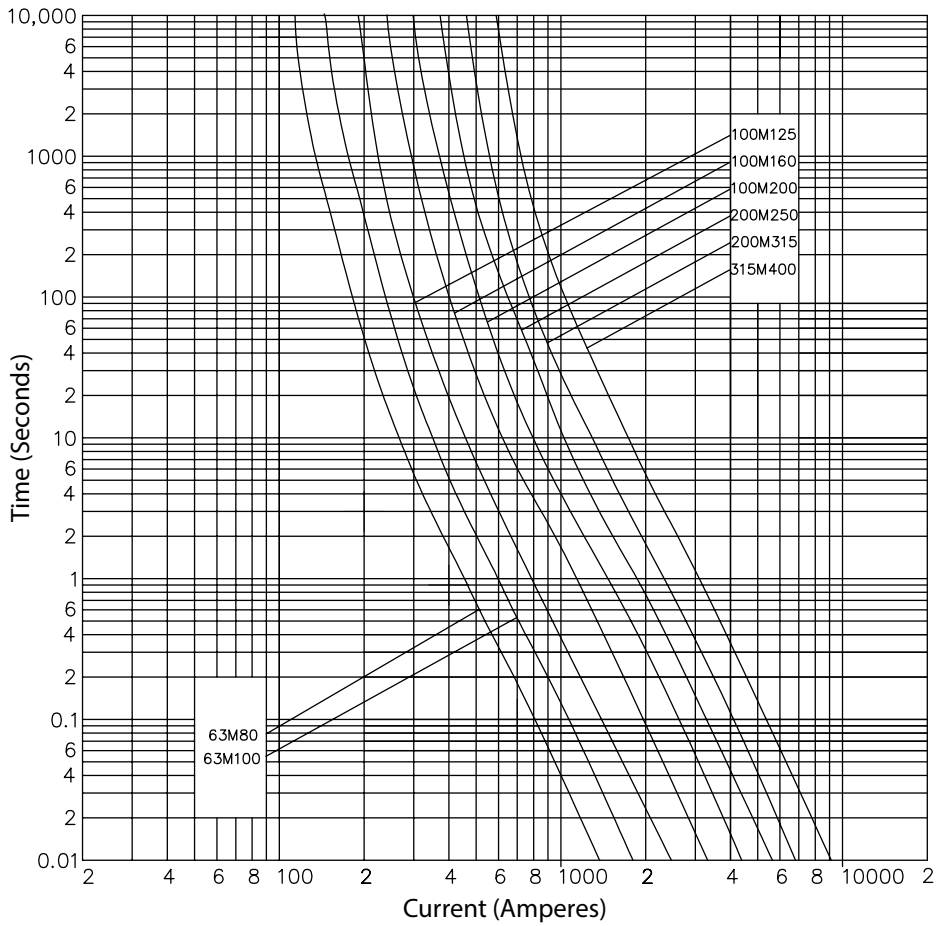
Time Current Curve Bolted Tag 32 to 800 A





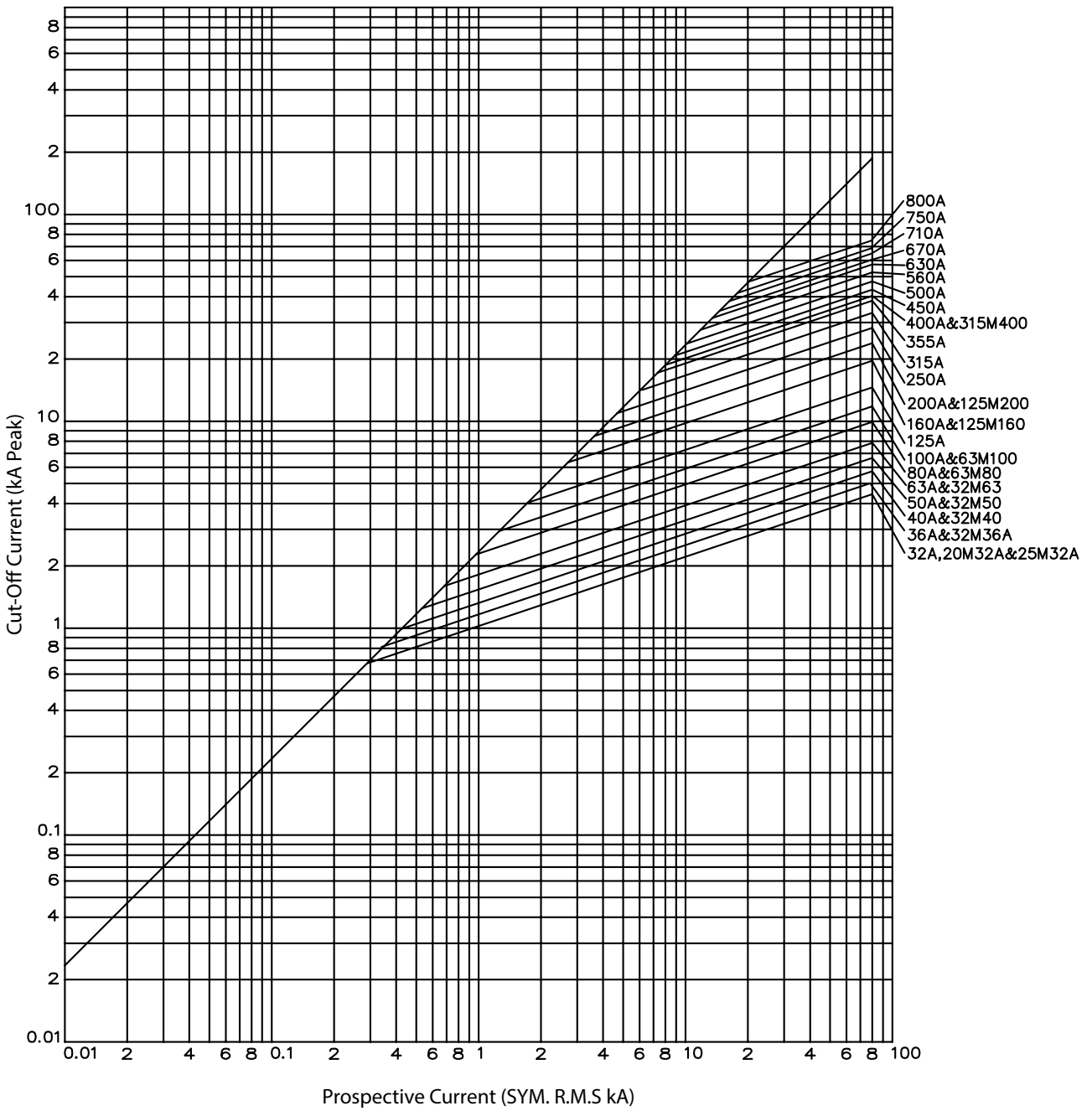
Time Current Curves "M" Motor Fuses 63 to 315 A

Fuses and Bases





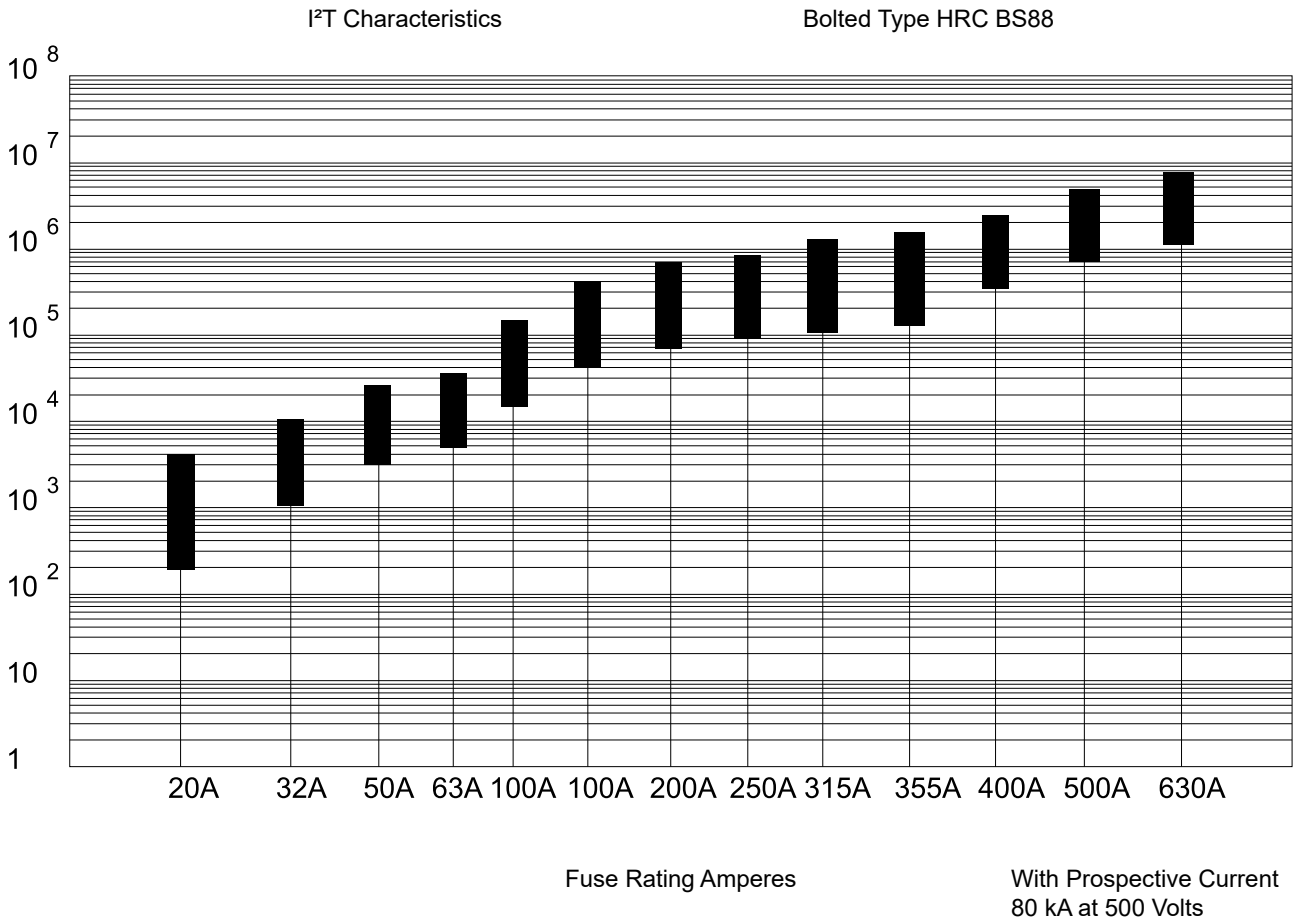
Cut-Off Characteristics 415 V AC 20 to 800 A





Energy Let Through 20 to 630 A

Fuses and Bases





BS Fuse Links - Bolt-In Centre Tag



- ✓ Complies to BS standard
- ✓ 80 kA fault interruption capacity
- ✓ Type gG for general, cable, line and motor protection
- ✓ 2 to 1250 A range
- ✓ 415 V AC, 500 V AC and 550 V AC ratings.



General

Un, Nominal Operational Voltage, AC	415 / 500 / 550 V AC
--	----------------------

Ue, Rated Operational Voltage, AC	415 / 500 / 550 V AC
--	----------------------

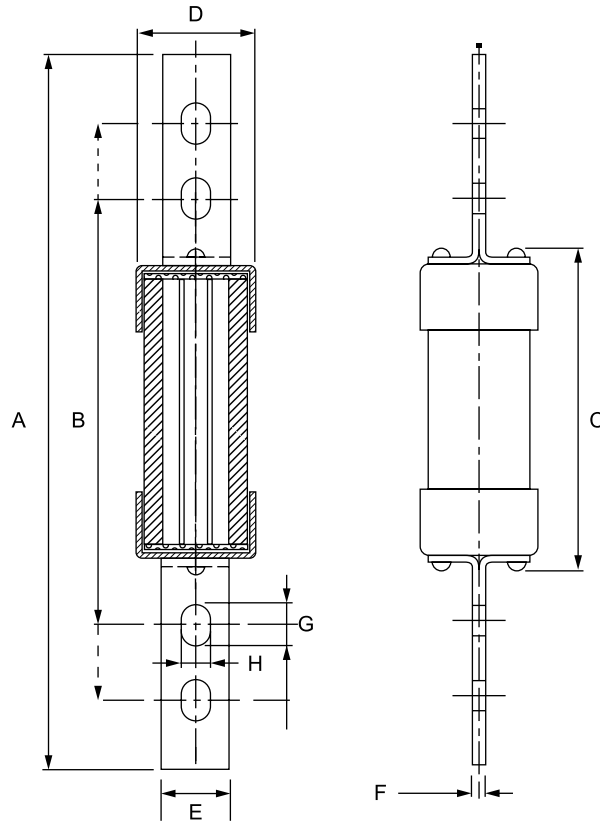
Uimp, Impulse Withstand Voltage	8	kV
--	---	----

Maximum Operating Temperature With Derating	70	°C max
--	----	--------

Standards Compliance	IEC 60269-1 IEC 60269-2 VDE 0636-10 DIN 43620 AS 60269-1:2005 BS 88
-----------------------------	--

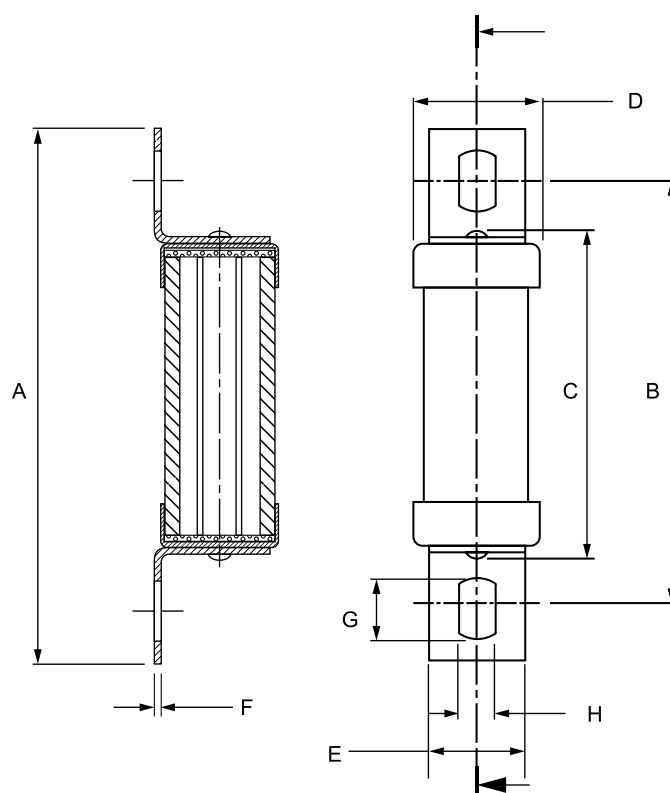
Certifications	ASTA
-----------------------	------

Dimensions for BS Fuse Links (NTBC, NTC, NTF, NTKF, NTKM, NTKM and NTMF) (mm)



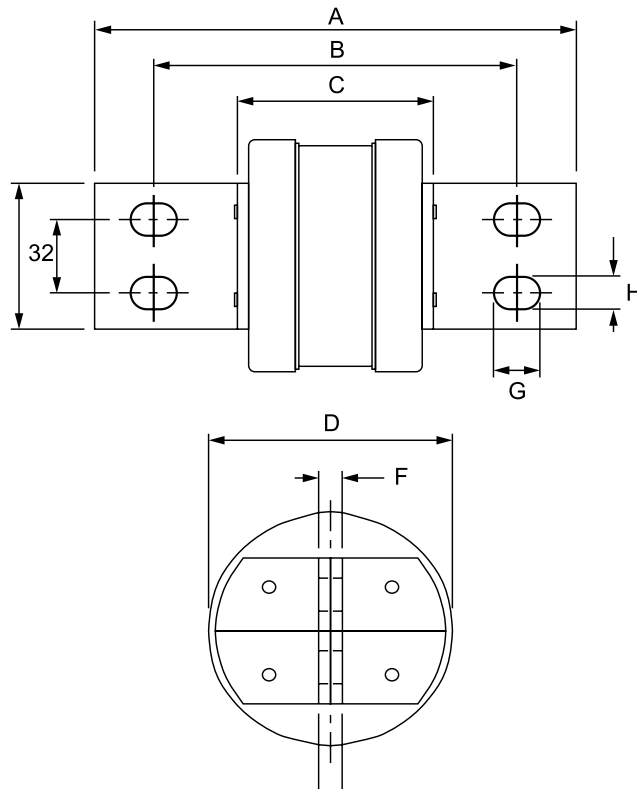
Series	Category	Brand	A Overall Length	B Fitting Centres	C Body Length	D Body Diameter	E Tag Width	F Tag Thickness	G Hole Length	H Hole Width
NTBC 2 – 40	B1	FuseMaster	137	111	45	22	15	1.4	14	8.7
NTBC 50 – 63	B1	FuseMaster	135	111	65	31.8	17	3.2	11	8.7
NTBC 63M	B1	Lawson	137	111	45	26	20	3.2	14	8.7
NTC 80 – 100	B1	FuseMaster	135.5	111	65	31.8	17	3.2	11	8.7
NTC 100M	B1	Lawson	137	111	45	35	20	3.2	14	8.7
NTF 125 – 200	B2	FuseMaster	131.5	111	72	39.5	19	3.2	11	8.7
NTF 200M	B2	Lawson	137	111	45	41	20	3.2	14	8.7
NTKF250S	B3	EATON	135.5	111	70	40	25.4	3.2	11	8.7
NTKF 250 - 315	B3	FuseMaster	135.5	111	70	50.5	25.4	3.2	11	8.7
NTKF 315M	B3	Lawson	137	111	45	51	26	6.4	14	8.7
NTKM 250 – 355	B4	FuseMaster	136.5	111	72	41	25.4	5.3	11	8.7
NTMF 355 - 400	B4	FuseMaster	137	111	52	50.5	26	6.4	16	8.7

Dimensions for BS Fuse Links (NTM, NTTM, NTLM, NTT, NTLT) (mm)



Series	Category	Brand	A Overall Length	B Fitting Centres	C Body Length	D Body Diameter	E Tag Width	F Tag Thickness	G Hole Length	H Hole Width
NTM355-400	C1	FuseMaster	210	133/184	77	50.5	25.4	6.5	12.5	10.3
NTM400M	C1	Lawson	210	133/184	51	61	26	6.4	16	10.3
NTTM	C2	FuseMaster	207	133/184	71	70	25.4	6.5	12.5	10.3
NTLM	C3	Lawson	210	133/184	56	73	26	9.5	16	10.3
NTT	-	Lawson	267	165/229	54	61	26	7.8	16	10.3
NTLT670-800	-	Lawson	267	165/229	56	73	26	9.5	16	10.3

Dimensions for BS Fuse Links (NTLU, NTXU) (mm)



Series	Category	Brand	A Overall Length	B Fitting Centres	C Body Length	D Body Diameter	E Tag Width	F Tag Thickness	G Hole Length	H Hole Width
NTLU	D1	FuseMaster	197	149	56	73	63	9.5	16	10.3
NTXU	D1	Socomec	197	149	95	101.6	63	9.5	16.7	13.5



BS Fuse Links - Bolt-In Center Tag

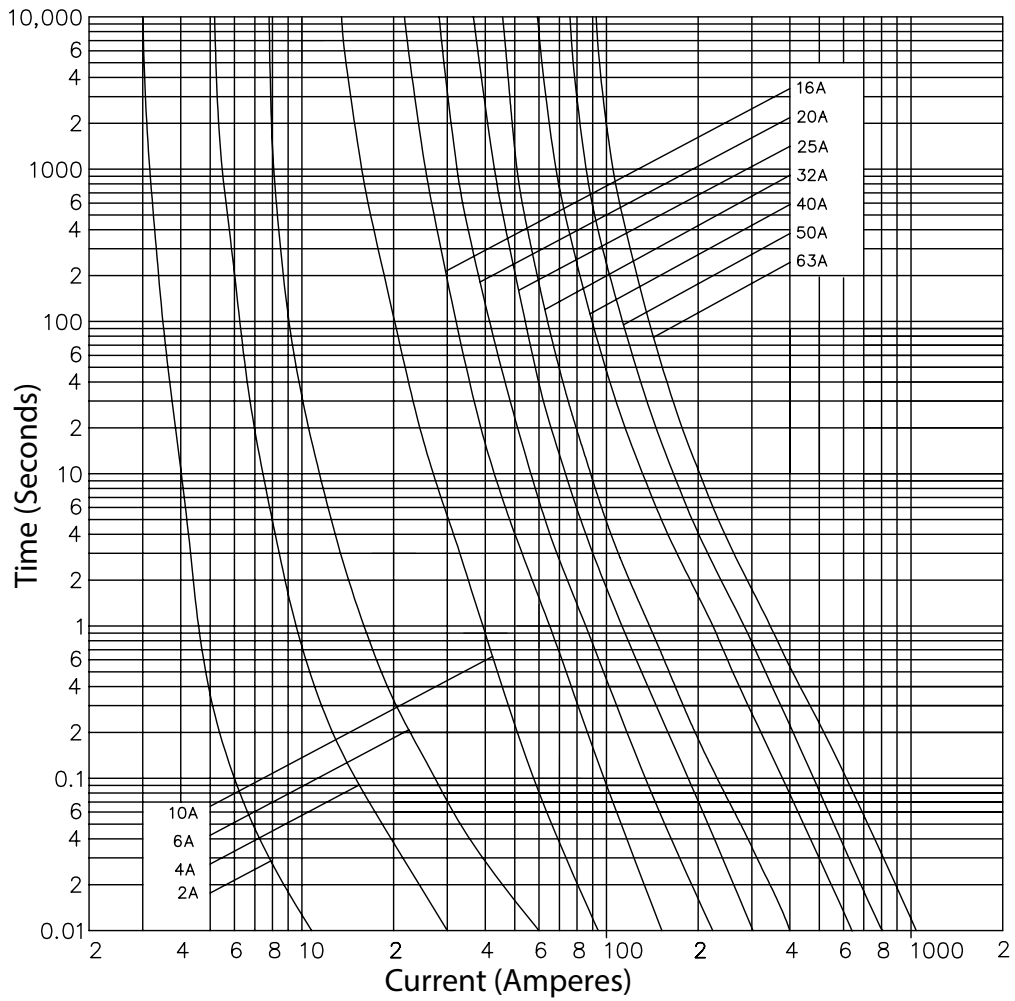
Fuse Rating (A)	Fuse Sizes	Voltage Rating (V)	Breaking Capacity @ Rated Voltage (kA)	Catalogue No.
2	B1	415	80	NTBC2
4	B1	415	80	NTBC4
6	B1	415	80	NTBC6
10	B1	415	80	NTBC10
16	B1	415	80	NTBC16
20	B1	415	80	NTBC20
25	B1	415	80	NTBC25
32	B1	415	80	NTBC32
40	B1	415	80	NTBC40
50	B1	415	80	NTBC50
63	B1	415	80	NTBC63
63 M 80	B1	415	80	NTBC63M80
63 M 100	B1	415	80	NTBC63M100
80	B1	415	80	NTC80
100	B1	415	80	NTC100
100 M 125	B1	415	80	NTC100M125
100 M 160	B1	415	80	NTC100M160
125	B2	415	80	NTF125
160	B2	415	80	NTF160
200	B2	415	80	NTF200
200 M 250	B2	415	80	NTF200M250
200 M 315	B2	415	80	NTF200M315
250	B3	415	80	NTKF250
315	B3	415	80	NTKF315
315 M 400	B3	415	80	NTKF315M400
250	B4	415	80	NTKM250
315	B4	415	80	NTKM315
355	B4	415	80	NTMF355



Fuse Rating (A)	Fuse Sizes	Voltage Rating (V)	Breaking Capacity @ Rated Voltage (kA)	Catalogue No.
400	B4	415	80	NTMF400
355	C1	415	80	NTM355
400	C1	415	80	NTM400
450	C2	415	80	NTTM450
500	C2	415	80	NTTM500
560	C2	415	80	NTTM560
630	C2	415	80	NTTM630
710	C3	415	80	NTLM710
800	C3	415	80	NTLM800
1000	D1	415	80	NTXU1000
1250	D1	415	80	NTXU1250



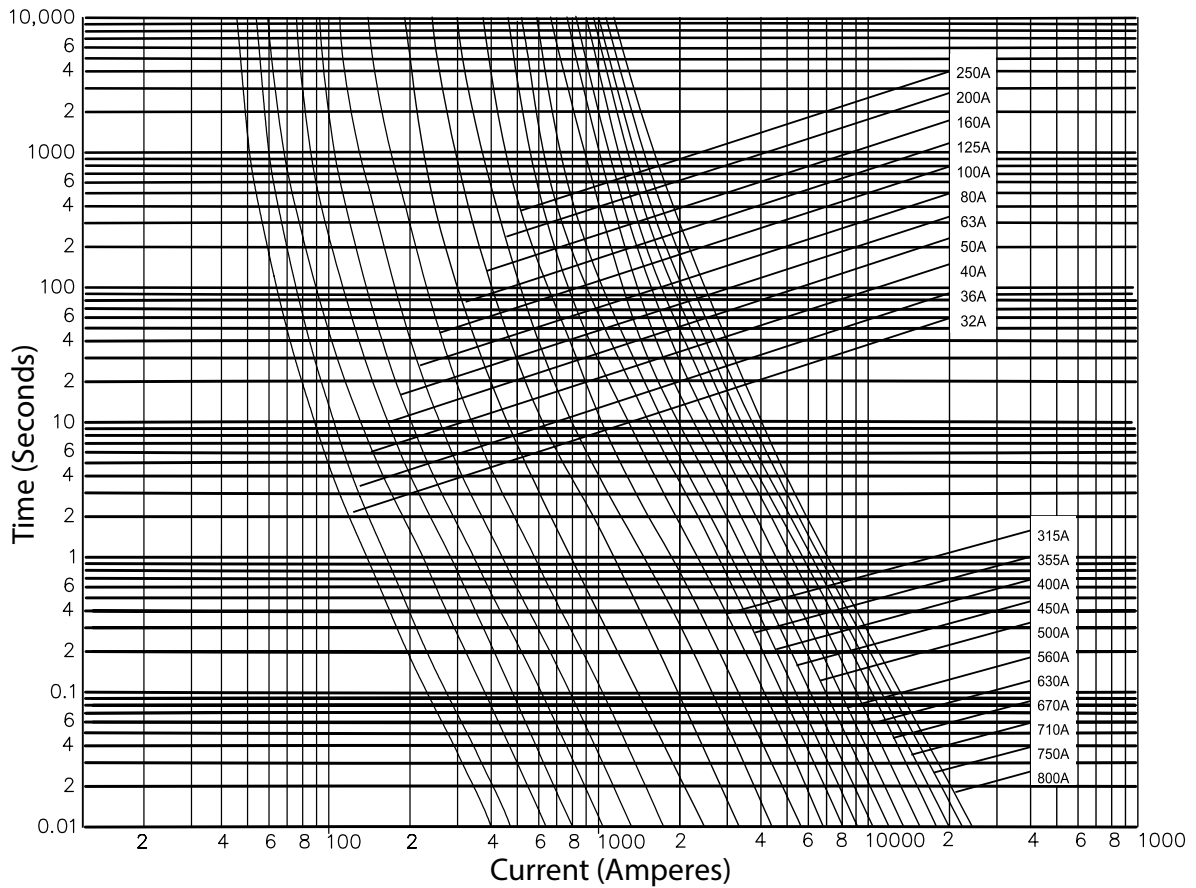
Time Current Curve 2 to 63 A





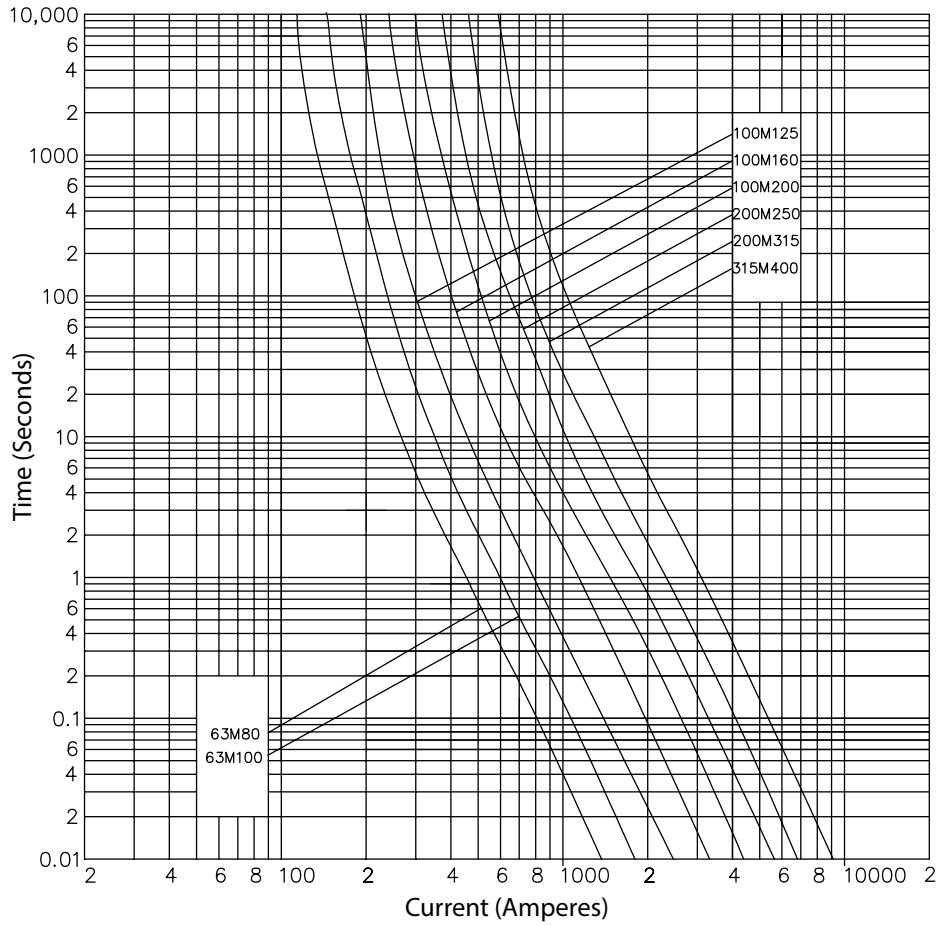
Time Current Curve Bolted Tag 32 to 800 A

Fuses and Bases





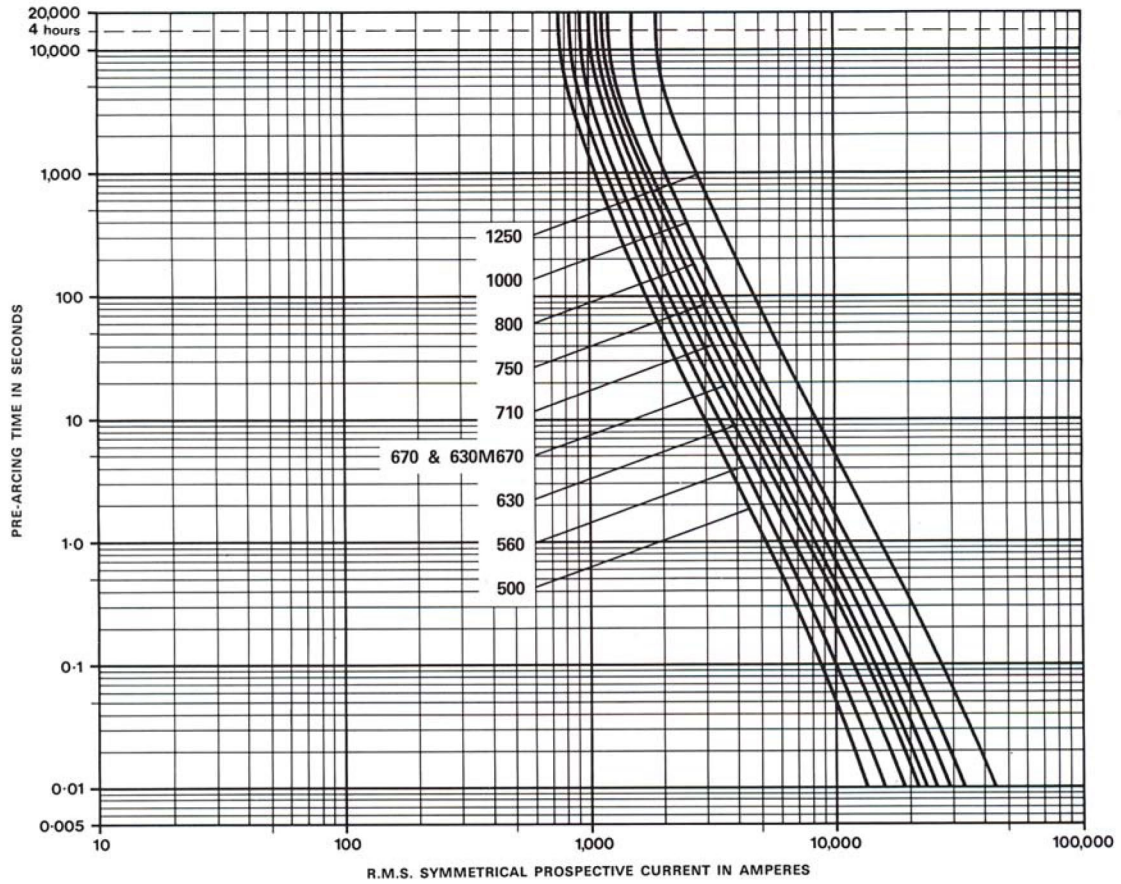
Time Current Curves "M" Motor Fuses 63 to 315 A





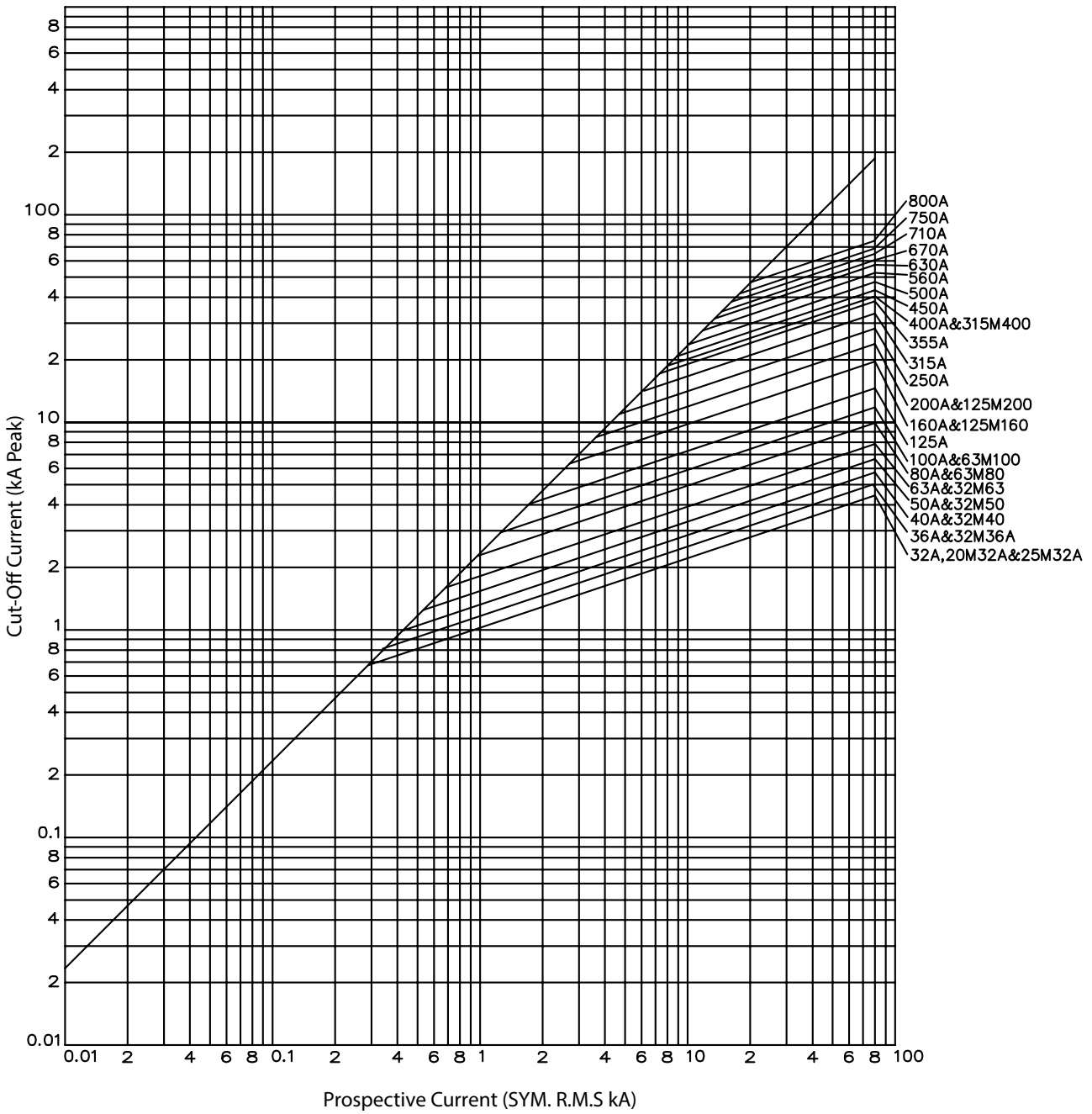
Time Current Curves (NTLU, NTXU)

Fuses and Bases





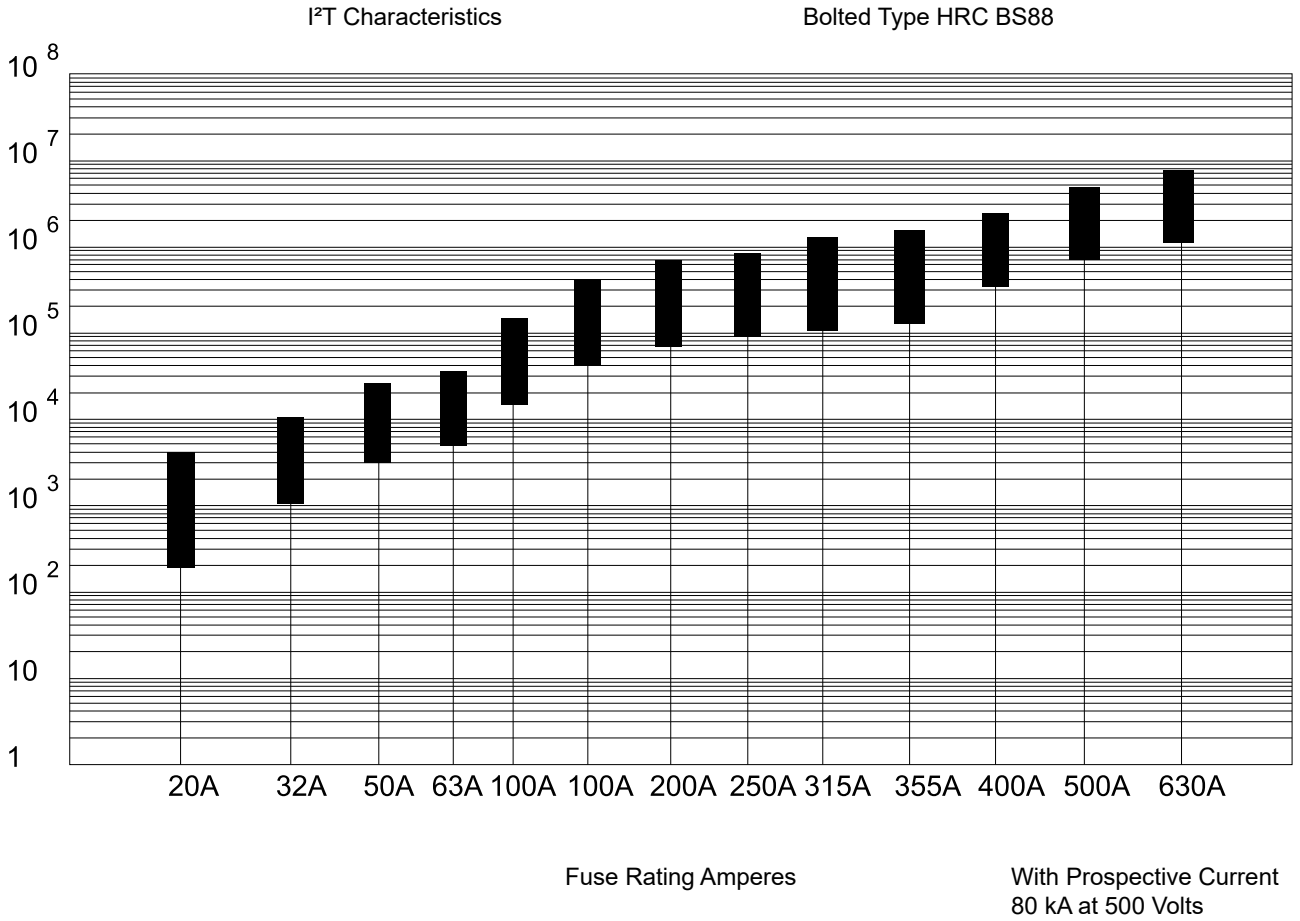
Cut-Off Characteristics 415 V AC 20 to 800 A





Energy Let Through 20 to 630 A

Fuses and Bases



BS Standard Switch Fuses (20 to 1250 A)



- ✓ 90 degree rotatory open-close. Supplied with handle and shaft for external operation
- ✓ Handles and switches fuse bodies both include a padlock facility to lock OFF the switch for lockout tagout (LOTO) insulation
- ✓ Suits bolt-in fuse links 20 to 1250 A
- ✓ 100 kA fault rating
- ✓ Double breaking per pole (top or bottom) for isolated fuse removal
- ✓ Positive break indication
- ✓ Option: Fuse monitoring devices for remote blown fuse indication
- ✓ Complies to BS standard
- ✓ IP30
- ✓ Base mounting



General

Un, Nominal Operational Voltage, AC	690	V AC
--	-----	------

Ue, Rated Operational Voltage, AC	690	V AC
--	-----	------

Ue, Rated Operational Voltage, DC, Max	440	V DC
---	-----	------

Uimp, Impulse Withstand Voltage	12	kV
--	----	----

Rated Peak Withstand Current 550 V	80	kA
---	----	----

Maximum Operating Temperature With Derating	70	°C max
--	----	--------

IP Rating	IP30 (using shrouds)	
------------------	----------------------	--

Standards Compliance	IEC 60947-3 AS/NZS 60947-3 IEC 60269-2-1 AS 60269.2.1	
-----------------------------	--	--

Certifications	CCC KEMA	
-----------------------	-------------	--

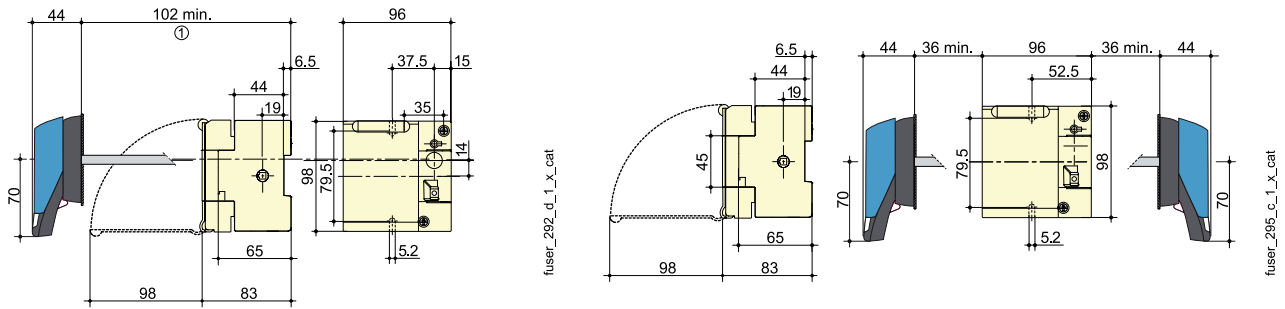
Service Information	Product is not repairable. Please contact your local NHP sales representative for assistance.	
----------------------------	---	--



Dimensions for SSF BS Switch Fuses (20 A) (mm)

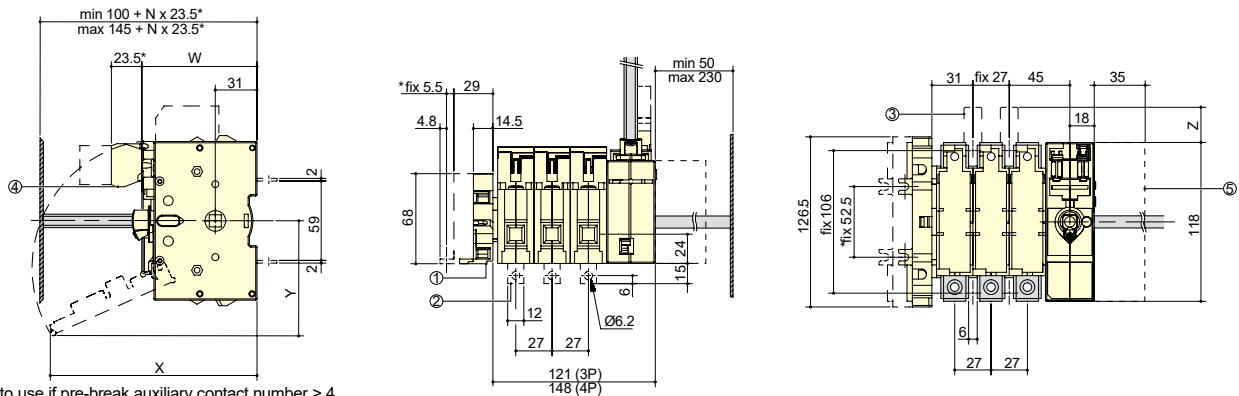
External front operation

External side operation



① With 1 U-type AC: 130 mm.
With 2 U-type AC: 155 mm.

Dimensions for SSF BS Switch Fuses (32 A) (mm)



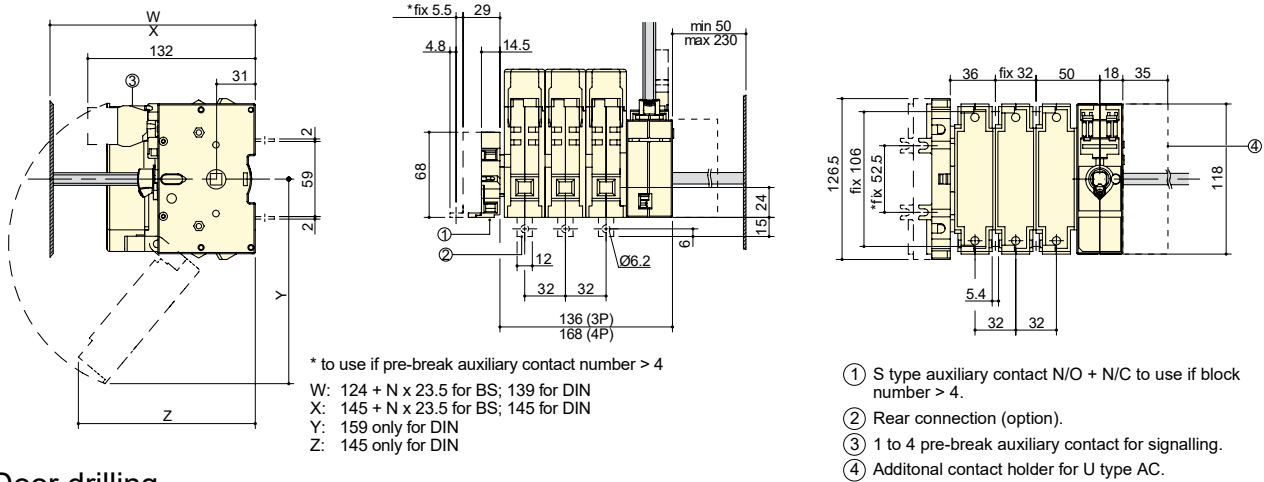
* to use if pre-break auxiliary contact number > 4

W: 84.5 + N x 23.5 for BS; 87 for DIN
X: 153 only for DIN
Y: 85 only for DIN
Z: 26 only for DIN

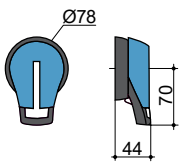
- ① S type auxiliary contact N/O + N/C to use if block number > 4.
- ② Rear connection (option).
- ③ 1 or 2 pre-break auxiliary contact (fuse blown indication).
- ④ 1 to 4 pre-break auxiliary contact for signalling.
- ⑤ Additional contact holder for U type AC.



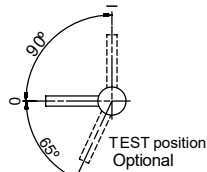
Dimensions for SSF BS (63 A) and DIN (63 A) Switch Fuses (mm)



Door drilling

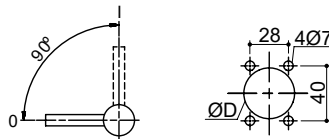


S1 handle



S type handle – front operation

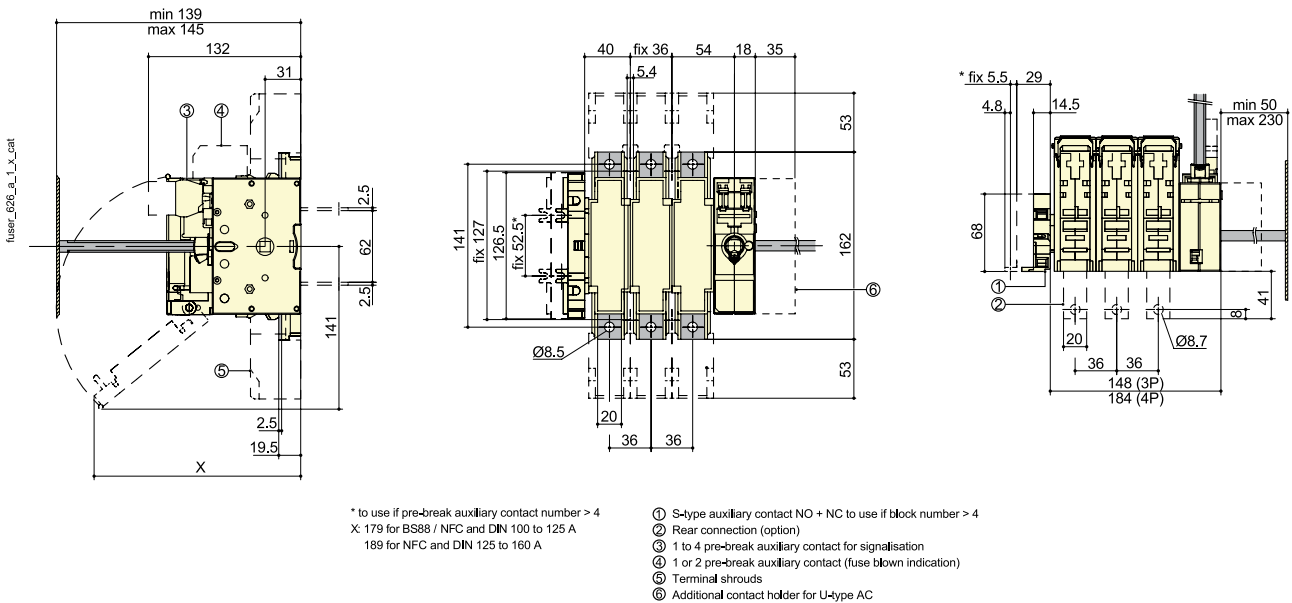
Conventional fixing (from rear): D = 31 to 37 mm
 Fast fixing (external, door closed): D = 37 mm



S type handle – side operation

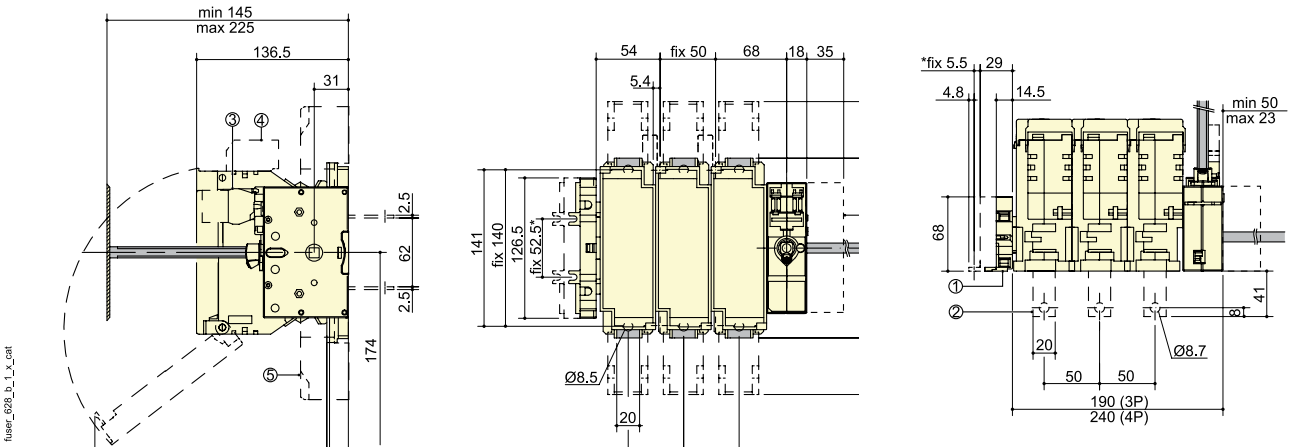
Conventional fixing (from rear): D = 31 to 37 mm
 Fast fixing (external, door closed): D = 37 mm

Dimensions for SSF BS (100 A) and DIN (125 A) Switch Fuses (mm)



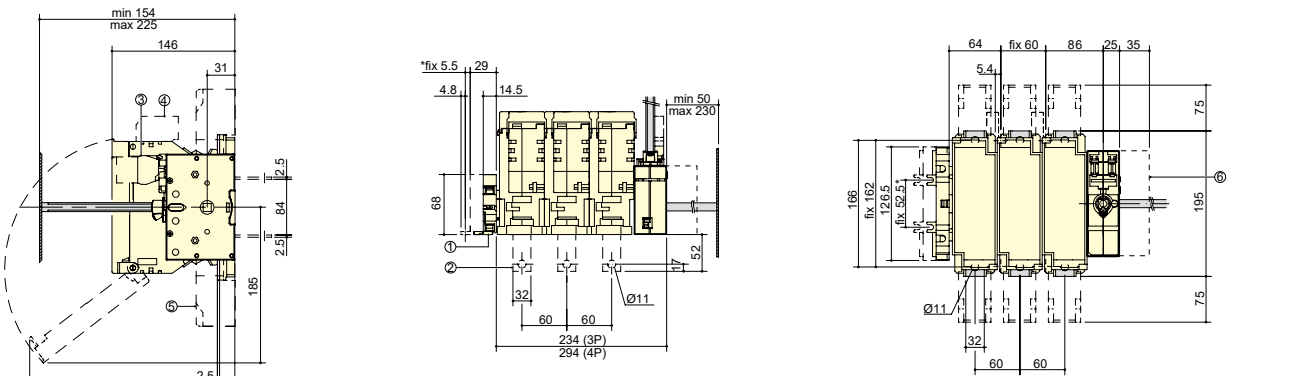


Dimensions for SSF BS (160 A) and DIN (160 A) Switch Fuses (mm)



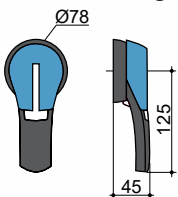
- * to use if pre-break auxiliary contact number > 4
- ① S-type auxiliary contact NO + NC to use if block number > 4
- ② Rear connection (option)
- ③ 1 to 4 pre-break auxiliary contact for signalisation
- ④ 1 or 2 pre-break auxiliary contact (fuse blown indication)
- ⑤ Terminal shrouds
- ⑥ Additional contact holder for U-type AC

Dimensions for SSF BS (200 - 250 A) and DIN (250 A) Switch Fuses (mm)

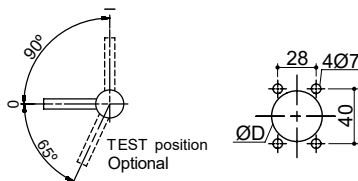


- * to use if pre-break auxiliary contact number > 4
- ① S type auxiliary contact N/O + N/C to use if block number > 4.
- ② Rear connection (option).
- ③ 1 to 8 pre-break auxiliary contact for signalling.
- ④ 1 or 2 pre-break auxiliary contact (fuse blown indication).
- ⑤ Terminal shrouds.
- ⑥ Additional contact holder for U type AC.

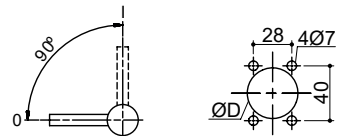
Door drilling



S2 handle



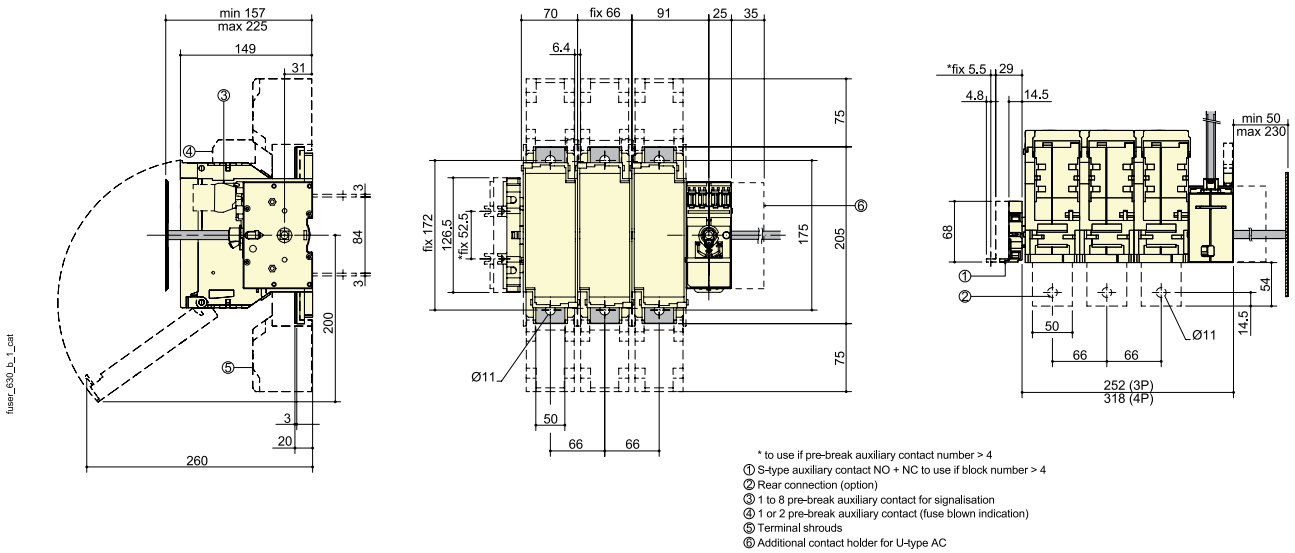
S type handle – front operation
 Conventional fixing (from rear): D = 31 to 37 mm
 Fast fixing (external, door closed): D = 37 mm



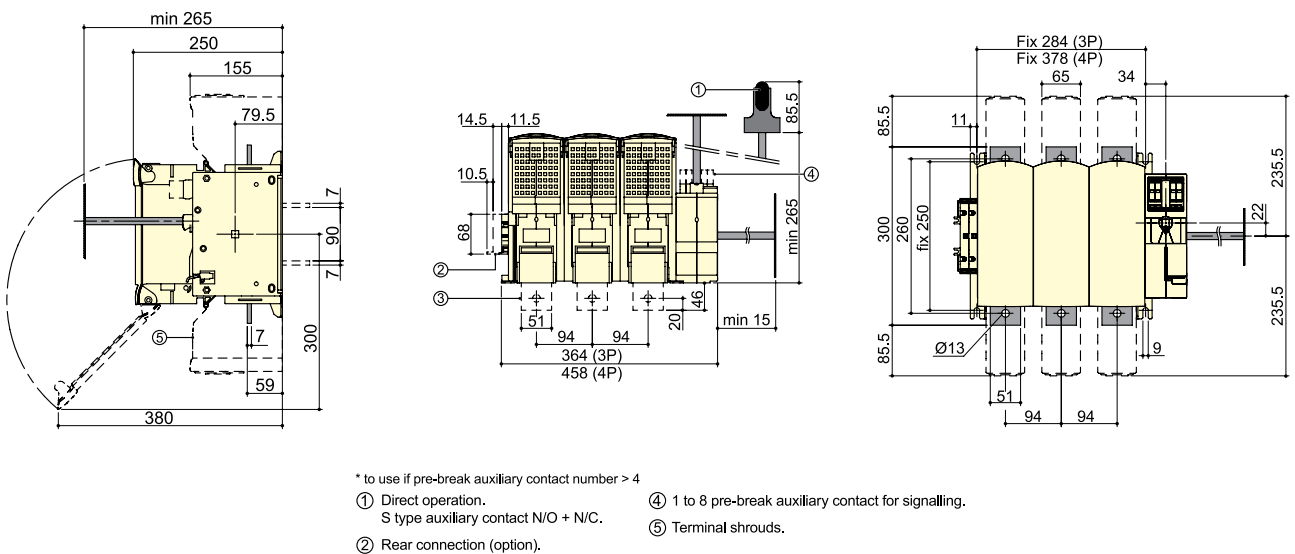
S type handle – side operation
 Conventional fixing (from rear): D = 31 to 37 mm
 Fast fixing (external, door closed): D = 37 mm



Dimensions for SSF BS (315 - 400 A) and DIN (400 A) Switch Fuses (mm)



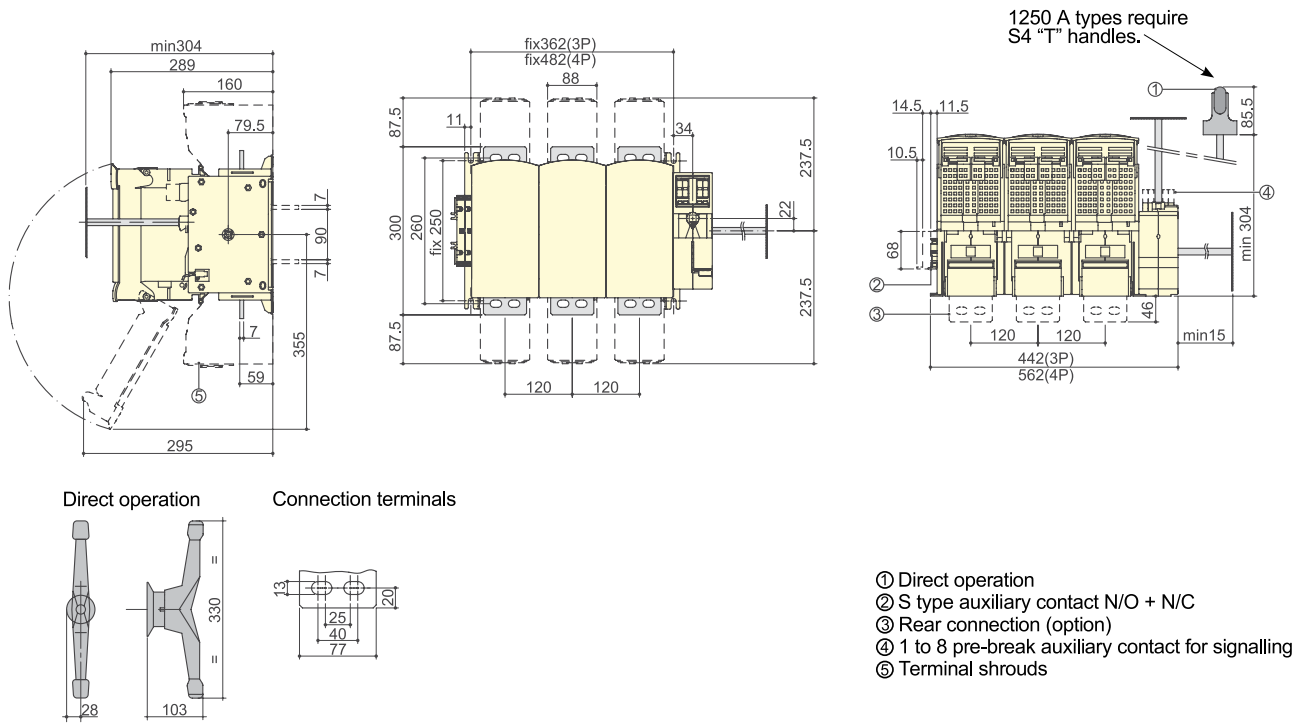
Dimensions for SSF BS (630 - 800 A) and DIN (630 - 800 A) Switch Fuses (mm)





Dimensions for SSF BS (1250 A) and DIN (1250 A) Switch Fuses (mm)

Fuses and Bases





SSF BS Standard Switch Fuses

Front operated, base mount (supplied with external handle and 320 mm shaft).

Fuse Rating (A)	Cartridge Size	AC-23A (A @ 415 V)	AC-23A (kW @ 400 V)	Catalogue No. (3P)	Catalogue No. (4P)
20	A1	20	9	SSFBS20C3P	SSFBS20CP4P
32	A1	32	15	SSFBS323P	SSFBS324P
63	A2 - A3	63	30	SSFBS633P	SSFBS634P
100	A4	100	51	SSFBS1003P	SSFBS1004P
160	A4 - B1 - B2	160	80	SSFBS1603P	SSFBS1604P
200	B1 - B2	200	100	SSFBS2003P	SSFBS2004P
250	B1 - B2 - B3	250	132	SSFBS2503P	SSFBS2504P
315	B1 - B2 - B3	315	160	SSFBS3153P	SSFBS3154P
400	B1 - B2 - B3 - B4	400	220	SSFBS4003P	SSFBS4004P
630	C1 - C2	630	355	SSFBS6303P	SSFBS6304P
800	C1 - C2 - C4	800	450	SSFBS8003P	SSFBS8004P
1250	D1	1000	560	SSFBS12503P	SSFBS12504P

General (20 - 160 A)

				20 A	32C A	32 A	63 A	100 A	125 A	160 A	160 A
DIN or BS Fuse Types				BS	BS	BS	DIN / BS	BS	DIN / BS	BS	DIN
Fuse Types, gG General Purpose AS 60269.2.1:2005, AS/NZS 60269.2.1:2001	DIN 43620	–	–	–	–	–	00C	–	0	–	0
	BS 88	–	–	A1	A1	A1	A2 - A3	A4	–	B1 - B2	–

Ratings Data (20 - 160 A)

				20 A	32C A	32 A	63 A	100 A	125 A	160 A	160 A
Rated Insulation Voltage	–	–	V	800	800	750	750	750	750	750	750
Rated Impulse Withstand Voltage	–	–	kV	8	8	8	8	8	8	8	8
AC Rated Operational Current	AC 21 A	400 V	A	20	32	32	63	100	125	160	160
		690 V	A	20	32	32	63	100 ¹⁾	125 ¹⁾	160 ¹⁾	160 ¹⁾
	AC 22 A	400 V	A	20	32	32	63	100	125	160	160
		690 V	A	20	32	32	63	100 ¹⁾	125 ¹⁾	160 ¹⁾	160 ¹⁾
	AC 23 A	400 V	A	20	32	32	63	100	125	160	160
		690 V	A	20	32	32	63	100 ¹⁾	100 ¹⁾	125 ¹⁾	125 ¹⁾
DC Rated Operational Current / Poles in Series	DC 21 A	220 V	A	–	–	32	63	100	125	160	160
		440 V	A	–	–	32 ²⁾	63 ²⁾	100 ²⁾	125 ²⁾	160 ²⁾	160 ²⁾
	DC 22 A	220 V	A	–	–	32	63	100	125	160	160
		440 V	A	–	–	32 ²⁾	63 ²⁾	100 ²⁾	125 ²⁾	160 ²⁾	160 ²⁾
	DC 21 A	220 V	A	–	–	32	40	100	100	125	125
		440 V	A	–	–	32 ²⁾	40 ²⁾	100 ²⁾	100 ²⁾	160 ²⁾	125 ²⁾
Operational Power	Without Pre-break AC	440 V	kW	9	15	15	30	51	63	80	80
	Without Pre-break AC	690 V	kW	15	25	25	55	90	90	110	110
Rated Capacitor Power	–	–	kVAr	8	15	15	28	45	55	75	75

Notes

1) With terminal shrouds/screen.

2) 4 pole device with 2 poles in series by polarity.

240 / 415 V ratings suitable for use on 230 / 400 V in accordance with AS 60038: 2012.

Ratings to AS/NZS 60947-3 and IEC 60947-3

General (200 - 1250 A)

				200 A	250 A	315 A	400 A	630 A	800 A	1250 A
DIN or BS Fuse Types				BS	DIN / BS	BS	DIN / BS	DIN / BS	DIN / BS	DIN / BS
Fuse Types, gG General Purpose AS 60269.2.1:2005, AS/NZS 60269.2.1:2001	DIN 43620	–	–	–	1	–	2	3	3	4
	BS 88	–	–	B1, B2	B1, B2, B3	B1, B2, B3	B1, B2, B3, B4	C1, C2	C1, C2, C3	D1

Ratings Data (200 - 1250 A)

				200 A	250 A	315 A	400 A	630 A	800 A	1250 A
Rated Insulation Voltage		V		750	750	800	800	1000	1000	1000
Rated Impulse Withstand Voltage		kV		8	8	8	8	12	12	12
AC Rated Operational Current	AC 21 A	400 V A		200	250	315	400	630	800	1250
		690 V A		200 ¹⁾	250 ¹⁾	315 ¹⁾	315	500	800	800
	AC 22 A	400 V A		200	250	315	400	630	800	1250
		690 V A		200 ¹⁾	250 ¹⁾	315 ¹⁾	315	500	800	800
	AC 23 A	400 V A		200	250	315	400	630	800	1000
		690 V A		200 ¹⁾	250 ¹⁾	250 ¹⁾	250	315	630	630
DC Rated Operational Current / Poles in Series	DC 21 A	220 V A		200	250	250	315	315	800	1250
		440 V A		250 ²⁾	250 ²⁾	250 ²⁾	315	315	800 ²⁾	1000 ²⁾
	DC 22 A	220 V A		200	250	250	315	315	800	1250
		440 V A		250 ²⁾	250 ²⁾	250 ²⁾	315	315	800 ²⁾	1000 ²⁾
	DC 21 A	220 V A		200	200	200	200	400	800	1250
		440 V A		200 ²⁾	200 ²⁾	200 ²⁾	250	315	800 ²⁾	1000 ²⁾
Operational Power	Without Pre-break AC	440 V kW		100	132	160	220	355	63	560
	Without Pre-break AC	690 V kW		150	220	222	220	295	90	400
Rated Capacitor Power	–	–	kVAr	90	115	145	185	290	365	460

Notes

1) With terminal shrouds/screen.

2) 4 pole device with 2 poles in series by polarity.

240 / 415 V ratings suitable for use on 230 / 400 V in accordance with AS 60038: 2012.

Ratings to AS/NZS 60947-3 and IEC 60947-3

Connection (20 - 160 A)

				20 A	32C A	32 A	63 A	100 A	125 A	160 A	160 A
Connection Cable Size (Min. / Max.)	–	–	mm ²	2.5 / 16	2.5 / 16	6 / 25	10 / 25	25 / 95	35 / 95	50 / 95	50 / 95

Physical (20 - 160 A)

				20 A	32C A	32 A	63 A	100 A	125 A	160 A	160 A
Mechanical Endurance	–	–	Ops	20000	20000	10000	10000	10000	10000	10000	10000
Weight (3 Pole)	–	–	Kg	0.5	0.5	1.0	1.3	1.8	1.9	2.5	2.5

Short-Circuit Capacity (20 - 160 A)

				20 A	32C A	32 A	63 A	100 A	125 A	160 A	160 A
Short Circuit Capacity											
Switch-Fuse Cut-Off Current (kA Peak)	–	400 V	kA	5.5	5.5	9	10.6	20	20	20	22.7
Fuse Protected Short Circuit Withstand	–	400 V	kA	80	80	80	80	80	–	50	80
AC DIN or BS (kA RMS Prospective)	–	Fuse	A	20	32	32	63	100	–	160	160

Notes

240 / 415 V ratings suitable for use on 230 / 400 V in accordance with AS 60038: 2012.

Ratings to AS/NZS 60947-3 and IEC 60947-3

Connection (200 - 1250 A)

				200 A	250 A	315 A	400 A	630 A	800 A	1250 A
Connection Cable Size (min. / max.)	–	–	mm ²	94 / 240	94 / 240	185 / 240	185 / 240	2 x 150 / 2 x 300	2 x 185 / 2 x 300	4 x 185

Physical (200 - 1250 A)

				200 A	250 A	315 A	400 A	630 A	800 A	1250 A
Mechanical Endurance	–	–	Ops	10000	10000	10000	10000	8000	8000	8000
Weight (3 Pole)	–	–	Kg	3.8	3.8	4.8	4.8	18.7	19.8	25.0

Short-Circuit Capacity (200 - 1250 A)

				200 A	250 A	315 A	400 A	630 A	800 A	1250 A
Short Circuit Capacity										
Switch-Fuse Cut-Off Current (kA Peak)	–	400 V	kA	32.5	32.5	40	40	70	80	90
Fuse Protected Short Circuit Withstand	–	400 V	kA	80	80	80	80	80	80	–
AC DIN or BS (kA RMS Prospective)	–	Fuse	A	200	250	315	400	630	800	–

Notes

240 / 415 V ratings suitable for use on 230 / 400 V in accordance with AS 60038: 2012.

Ratings to AS/NZS 60947-3 and IEC 60947-3



Socomec Switch Fuse Direct Mount Handles

Direct Mount Handles

Switch fuse bodies can be padlocked OFF



Item Description

Catalogue No.

Direct Mount Handle Suits SSF 20 A - 32 A

36294012

Direct Mount Handle Suits SSF 63 A - 400 A

36297910

Direct Mount Handle Suits SSF 630 A - 800 A

38996011

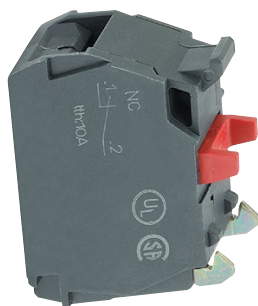
Direct Mount Handle Suits SSF 800 A - 1250 A

38997011



Socomec Switch Fuse Auxiliaries

Early Break Operation



Item Description	Catalogue No.
Auxiliary 1 N/O suits Switch Fuse SSF 20 - 32 A	39990701
AUX 1 N/C suits Switch Fuse VLB32 - 40 and 125 - 500, SSF 63 - 400 A	39990702

Item Description	Catalogue No.
Auxiliary Side 1 N/O / 1 N/C 1st Pos. suits Switch Fuse SSF 63 - 800 A	39990041
Auxiliary Side 1 N/O / 1 N/C 2nd Pos. suits Switch Fuse SSF 800 - 1250 A	39990042

Socomec Switch Fuse Terminal Shrouds

- Top or bottom touch protection from direct contact with terminals or connection parts
- Perforations allow remote thermographic inspection without the need to remove the shrouds
- The shrouds provide phase protection barriers between phases
- The terminals shrouds consist of clip-together 1 pole covers, and can be converted to 3 or 4 pole types
- IP20 rating from front



Item Description	Catalogue No.
Terminal Shroud 3 Pole suits Switch Fuse 630 A and 800 A	38983080
Terminal Shroud 3 Pole suits Switch Fuse 1250 A	38983120
Terminal Shroud 4 Pole suits Switch Fuse 630 A and 800 A	38984080
Terminal Shroud 4 Pole suits Switch Fuse 1250 A	38984120
Terminal Shroud 3 Pole suits Switch Fuse VLB125 - 200 SSF100 - 160	39983016
Terminal Shroud 4 Pole suits Switch Fuse VLB125 - 200 SSF100 - 160	39984016
Terminal Shroud 3 Pole suits Switch Fuse VLB250 - 500 SSF200 - 400	39983025
Terminal Shroud 4 Pole suits Switch Fuse VLB250 - 500 SSF200 - 400	39984025

Socomec Switch Fuse Solid Neutral Module

Solid links can be used, when a user wants a switch fuse to be an isoator, and when fuse links are not fitted. Performs the function of an add-on, unswitched neutral pole.



Item Description	Catalogue No.
Solid Neutral Module Suits Switch Fuse 32 A	36299227
Solid Neutral Module Suits Switch Fuse 63 A	36299232
Solid Neutral Module Suits Switch Fuse 100 A	36299236
Solid Neutral Module Suits Switch Fuse 160 A	36299250
Solid Neutral Module Suits Switch Fuse 200 A and 250 A	36299260
Solid Neutral Module Suits Switch Fuse 315 A and 400 A	36299266
Solid Neutral Module Suits Switch Fuse 630 A and 800 A	36299294

DIN Solid Links

Din Fuse Solid Link

A solid link can be installed in a switch fuse, when a fuse is not required.



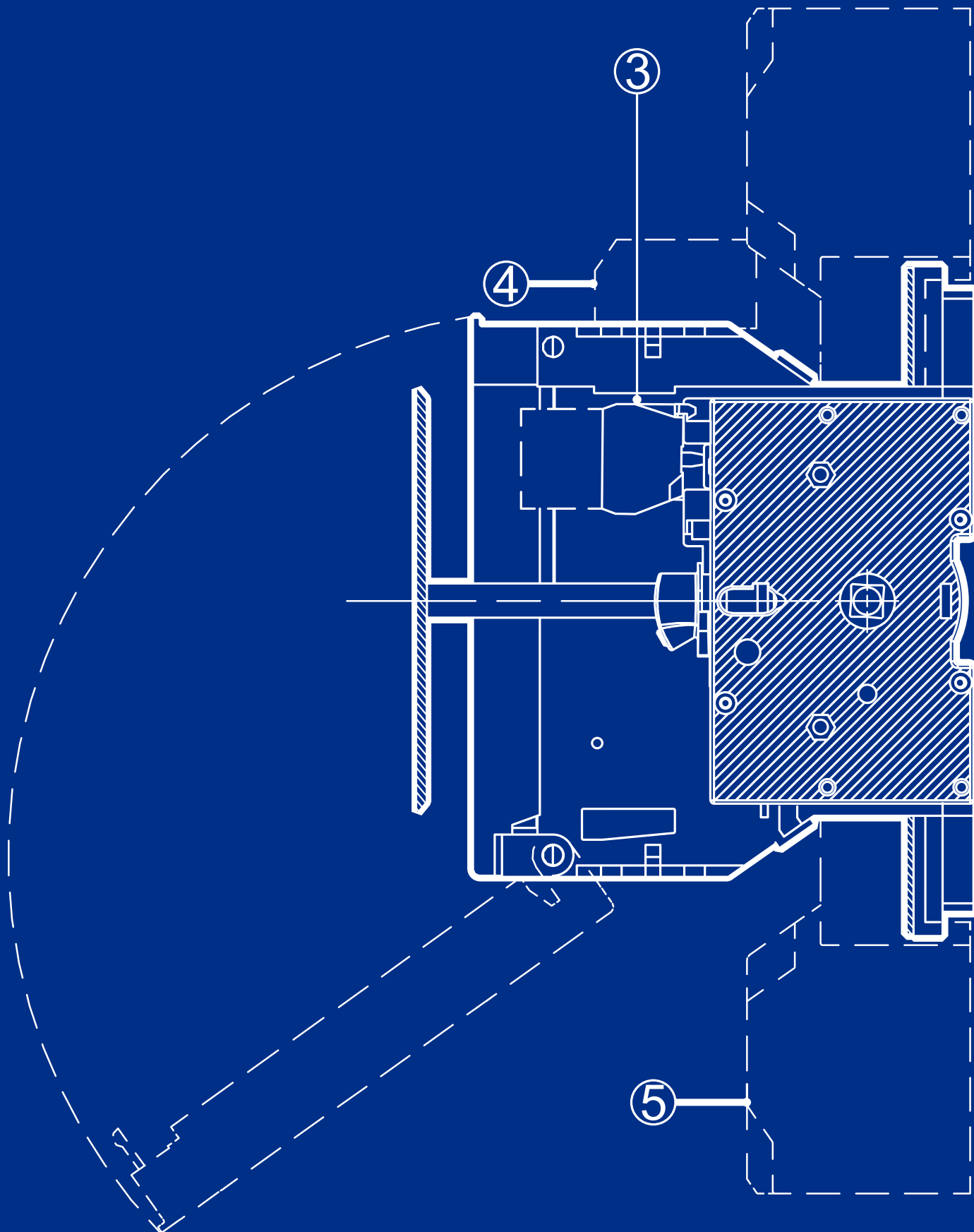
Item Description	Catalogue No.
Fuse DIN Solid Links 160 A Size 00C	6420000
Solid Link Fuse DIN 160 A Size 00	6421000
Fuse DIN Solid Links 250 A Size 1	6421001
Fuse DIN Solid Links 400 A Size 2	6421002
Fuse DIN Solid Links 630 A Size 3	6421003
Fuse DIN Solid Links 1250 A Size 4	6441005



Catalogue Number	Page	Catalogue Number	Page	Catalogue Number	Page
0				3	
01182	64	2021213400	36	2021308630	38
2		2021313300	36		
202091363	35	2021313315	36	31008	11
202091380	35	2021313355	36	31182	11
2020913100	35	2021313400	36	31183	11
2020913125	35	2021313425	36	31184	11
204771306	35	2021313500	36	31185	11
204771310	35	2021313630	36	31186	11
204771316	35	202090863	37	31187	11
204771320	35	202090880	37	31189	11
204771325	35	2020908100	37	31192	11
204771332	35	2020908125	37	31194	11
204771335	35	2020908160	37	31195	11
204771340	35	204770802	37	31196	11
204771350	35	204770804	37	31199	11
202111316	35	204770806	37	31200	11
202111320	35	204770810	37	31201	11
202111325	35	204770816	37	31202	11
202111332	35	204770820	37	31203	11
202111335	35	204770825	37	31009	11
202111340	35	204770832	37	31011	11
202111350	35	204770835	37	31017	11
202111363	35	204770840	37	31190	11
202111380	35	202110816	37	31191	11
2021113100	35	202110820	37	31193	11
2021113125	35	202110825	37	31018	11
2021113160	35	202110835	37	31019	11
2021113200	35	202110840	37	31197	11
2021113250	35	202110850	37	31198	11
204771302	35	202110863	37	31010	11
204771304	35	202110880	37	31188	11
202121335	36	2021108100	37	31204	12
202121340	36	2021108125	37	31205	13
202121350	36	2021108160	37	31206	13
202121363	36	2021108200	37	31207	13
202121380	36	2021108224	37	31208	13
2021213100	36	2021108250	37	31209	13
2021213125	36	202120835	38	31210	13
2021213160	36	202120850	38	31211	13
2021213200	36	202120863	38	31212	13
2021213224	36	202120880	38	31213	13
2021213250	36	2021208100	38	31214	13
2021213300	36	2021208125	38	31215	13
2021213315	36	2021208160	38	31110	20
2021213355	36	2021208200	38	31112	20
		2021208250	38	31113	20
		2021208315	38	31114	20
		2021208355	38	31115	20
		2021208400	38	31117	20
		2021308315	38		
		2021308400	38		
		2021308500	38		



Catalogue Number	Page
SSFBS633P	121
SSFBS1003P	121
SSFBS1603P	121
SSFBS2003P	121
SSFBS2503P	121
SSFBS3153P	121
SSFBS4003P	121
SSFBS6303P	121
SSFBS8003P	121
SSFBS12503P	121
SSFBS324P	121
SSFBS634P	121
SSFBS1004P	121
SSFBS1604P	121
SSFBS2004P	121
SSFBS2504P	121
SSFBS3154P	121
SSFBS4004P	121
SSFBS6304P	121
SSFBS8004P	121
SSFBS12504P	121
SSFBS20CP4P	121
SSFDN633P	70
SSFDN1253P	70
SSFDN1603P	70
SSFDN2503P	70
SSFDN4003P	70
SSFDN6303P	70
SSFDN8003P	70
SSFDN12503P	70
SSFDN634P	70
SSFDN1254P	70
SSFDN1604P	70
SSFDN2504P	70
SSFDN4004P	70
SSFDN6304P	70
SSFDN8004P	70
SSFDN12504P	70



AUSTRALIA

nhp.com.au
SALES 1300 NHP NHP
sales@nhp.com.au

NEW ZEALAND

nhp-nz.com
SALES 0800 NHP NHP
sales@nhp-nz.com

NHP Electrical Engineering Products

A.B.N. 84 004 304 812
NPLCAU19 V.2020-XX-XX
© Copyright NHP 2020