

DIN-T high current MCBs

Commercial and Industrial protection

POWER DISTRIBUTION AND PROTECTION

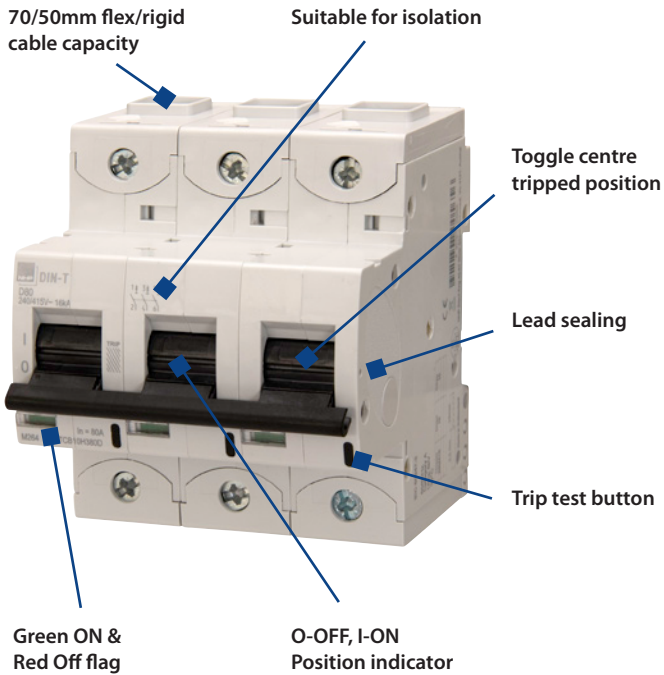


- AS/NZS 60947-2, 16kA
- AS/NZS 60898
- 80A, 100A & 125A
- 1P, 2P, 3P & 4P
- B, C and D trip curves

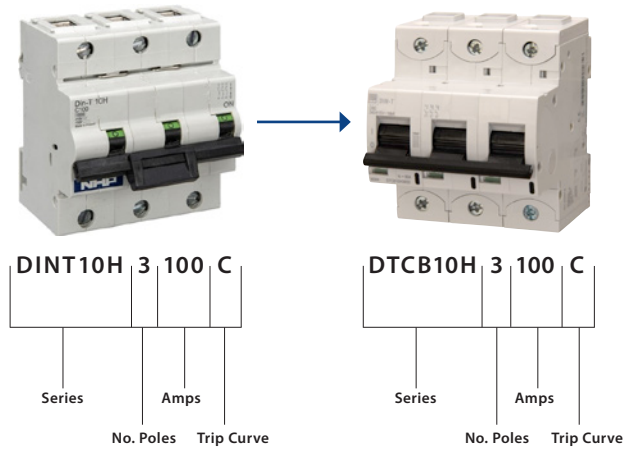
New and improved DIN-T10H range with improved ratings.

The new DIN-T10H MCB complies with both AS/NZS60947-2 and AS/NZS60898-1*. The DIN-T10H MCB comes complete with 2 arcing chambers per pole which offers excellent operating characteristics. High fault levels AS/NZS60947-2 Icu 16kA and Ics 10kA and AS/NZS 60898-1 Icn 10kA.

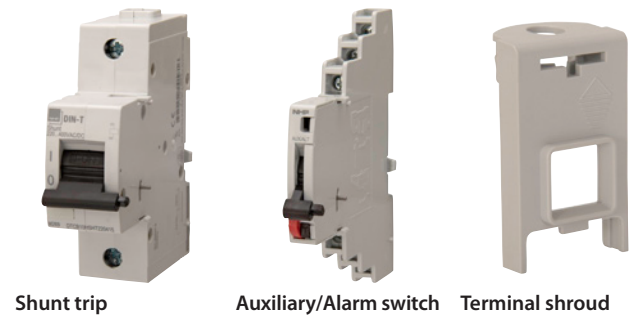
Due to the fast operating time of $\leq 2.5\text{ms}$ the DIN-T10H MCB offers good selectivity with upstream protection devices and limits damage downstream with limited let-through energy. Suitable for voltages 12V AC/DC through to 500V AC/DC. Suits NCH busbar chassis with 27mm pitch tee-off.



Part number conversion



Accessories

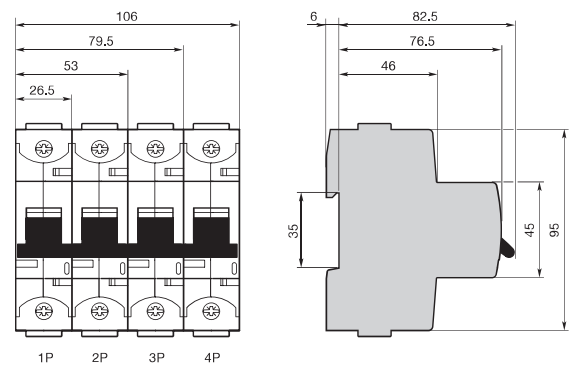


Locking devices



| Description | Fitting | Catalogue No. |
|-------------------------------|---|-------------------------|
| Shunt trip 220-415 V AC | LH side only | DTCB10HSHT220415 |
| Shunt Trip 48-130 V AC | LH side only | DTCB10HSHT48130 |
| Auxiliary & Alarm C/O contact | LH side only | DTCB10HAUXAL |
| IP20 Terminal Shroud | Bottom terminal *Required when not chassis mounted for IP20. | DTCB10HSRD |
| Side mount locking device | RH side only (padlock not included) | DTCB10HLD |
| Removable locking device | Front mount | DTCB10HLDNC |
| LOCKDIN | Bottom | DTLLADTCB10H |

Dimensions



NHP Electrical Engineering Products

A.B.N. 84 004 304 812

NHP18369 11/19

© Copyright NHP 2019

AUSTRALIA

nhp.com.au

SALES 1 300 NHP NHP

sales@nhp.com.au

NEW ZEALAND

nhp-nz.com

SALES 0800 NHP NHP

sales@nhp-nz.com



For more information, scan to download the NHP eCatalogues App offering exclusive video content, catalogues and literature