

# Meter Isolator - LockDIN™

NHP

POWER DISTRIBUTION AND PROTECTION



- Meter isolator
- Ideal as a supply capacity / service protection device
- Securely locks off NHP Din-T MCBs
- Suits 1 P and 3 P MCBs up to 125 A
- Accepts 3 - 6 mm padlock
- Lead sealable enclosure



DIN-T

## Meter Isolator - LockDIN™

The Lockable Meter Isolator from NHP utilises the captive locking system known as LockDIN™. LockDIN™ has been designed for safe and secure captive locking of NHP DIN-T MCBs. When you combine LockDIN™ with a sealable enclosure and NHP DIN-T MCB you have a complete system suitable for meter isolation and supply capacity / service protection.

### DTPC complete kits includes: enclosure, MCB and LockDIN™

NO. POLES	CURVE	AMPS	kA	ENCLOSURE	CATALOGUE No.
1 Pole	C	63 A	6 kA	DTPC (2 POLE)	<b>DTPC2LDCB</b>
1 Pole	D				<b>DTPC2LDCBV</b>
1 Pole	C	63 A	10 kA	DTPC (2 POLE)	<b>DTPC2LD631P</b>
1 Pole	D				<b>DTPC2LD631PD</b>
3 Pole	C	63 A	10 kA	DTPC (2 POLE)	<b>DTPC4LDCB</b>
3 Pole	D				<b>DTPC4LDCBV</b>

### ILC complete kits includes: enclosure, MCB and LockDIN™

(ILC kits are designed for larger cabling space)

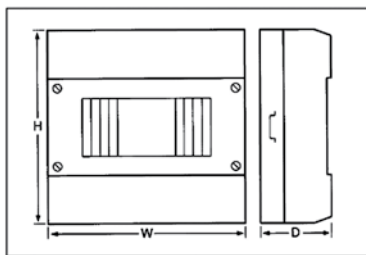
NO. POLES	CURVE	AMPS	kA	ENCLOSURE	CATALOGUE No.
1 Pole	C	63 A	6 kA	ILC (4 POLE)	<b>ILC4SLDCB1P</b>
1 Pole	D				<b>ILC4SLDCB1PD</b>
1 Pole	C	63 A	10 kA	ILC (4 POLE)	<b>ILC4SLDCB631P</b>
1 Pole	D				<b>ILC4SLDCB631PD</b>
3 Pole	C	63 A	10 kA	ILC (4 POLE)	<b>ILC4SLDCB3P</b>
3 Pole	D				<b>ILC4SLDCB3PD</b>
1 Pole	C	80-125 A	10 kA	ILC (4 POLE)	<b>ILC4SLDCBXXX1P *</b>
1 Pole	D				<b>ILC4SLDCBXXX1PD *</b>
3 Pole	C	80-125 A	10 kA	ILC (4 POLE)	<b>ILC4SLDCBXXX3P *</b>
3 Pole	D				<b>ILC4SLDCBXXX3PD *</b>

\* Replace XXX with 80, 100 or 125.

### Enclosures only, to suit meter isolator

TO SUIT	ENCLOSURE STYLE	CATALOGUE No.
1 P MCB ≤ 63 A	DTPC (2 POLE)	<b>DTPC2LD</b>
1-3 P MCB ≤ 63 A	DTPC (4 POLE)	<b>DTPC4LD</b>
1-3 P MCB ≤ 63 A	ILC (4 POLE)	<b>ILC4SLD</b>
1-2 P MCB 80-125 A	ILC (4 POLE)	<b>ILC4SLD10H</b>

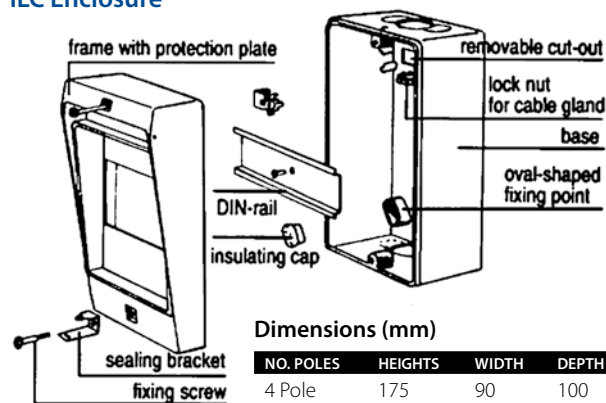
### DTPC enclosure



#### Dimensions (mm)

NO. POLES	HEIGHTS	WIDTH	DEPTH
2 Pole	139	51	61
4 Pole	139	88	61

### ILC Enclosure



#### Dimensions (mm)

NO. POLES	HEIGHTS	WIDTH	DEPTH
4 Pole	175	90	100



DTPC4LDCB



ILC4SLDCB1P



DTPC2LDCB

**NHP Electrical Engineering Products Pty Ltd**  
 A.B.N. 84 004 304 812  
 NTERLDINMF 08 13  
 © Copyright NHP 2013



Scan the QR code to download the eCatalogues App

### AUSTRALIA

nhp.com.au  
 SALES  
 1300 NHP NHP

### VICTORIA

Melbourne  
 +61 3 9429 2999  
 Laverton  
 +61 3 9368 2901

Albury/Wodonga  
 +61 2 6049 0600

Dandenong  
 +61 3 8773 6400

### TASMANIA

Hobart  
 +61 3 6228 9575  
 Launceston  
 +61 3 6345 2600

### NEW SOUTH WALES

Sydney  
 +61 2 9748 3444

Newcastle  
 +61 2 4960 2220

Wollongong  
 +61 1300 NHP NHP

### ACT

Canberra  
 +61 2 6280 9888

### QUEENSLAND

Brisbane  
 +61 7 3909 4999

Townsville  
 +61 7 4779 0700

Rockhampton  
 +61 7 4927 2277

Toowoomba  
 +61 7 4634 4799

### Cairns

+61 7 4035 6888

### SOUTH AUSTRALIA

Adelaide  
 +61 8 8297 9055

### WESTERN AUSTRALIA

Perth  
 +61 8 9277 1777

### NORTHERN TERRITORY

Darwin  
 +61 8 8947 2666

### NEW ZEALAND

nhp-nz.com  
 SALES 0800 NHP NHP

Auckland  
 Hamilton  
 Napier  
 New Plymouth  
 Wellington  
 Christchurch  
 Dunedin