

Quality switch disconnectors for reliable and safe isolation

POWER DISTRIBUTION AND PROTECTION



Introduction to NHP Newly Launched Switch Disconnectors





Present at all levels of an electrical distribution network, switchgear is an essential part any electrical system, allowing parts of a network or specific pieces of electrical equipment to be isolated and made secure.

Switch disconnectors, also known as isolators, are essential for electrical isolation requirements such as repair, maintenance/service, installation and inspection to ensure that an electrical circuit is completely isolated.

NHP's next generation of ISO switch disconnectors offer a comprehensive range of quality switches featuring Socomec's well-known, reliable, and innovative load break switch technology.

Providing dependable performance in a compact, robust and easy to install solution, these enclosed isolators ensure reliable on-load breaking and making operations, safely isolating all low-voltage electrical circuits. In addition to this providing protection against contact with live parts and environmental elements, such as dust, water and other hazards. Available in a choice of polycarbonate, polyester, aluminum, or stainless steel enclosures, NHP has the isolator to suit your application.




Tested according to the IEC 60947-3 standard, NHP's new ISO isolators are suitable for motor isolation, with switch performance guaranteed when used in ambient air temperature -5°C to +40°C without derating.

Action	Device											
	Switch (AS/NZS 60947-3 & 2.1)			Disconnector (AS/NZS 60947-3 & 2.2)			Switch-Disconnector (AS/NZS 60947-3 & 2.3)			Fuse Switch-Disconnector (AS/NZS 60947-3 & 2.9)		
												
Making	1)			-			1)			1)		
Withstanding	-			-			-			-		
Breaking	-			-			-			2)		
Suitable device for M.S.B isolation	No			Yes*			Yes			Yes		

*Suits the isolation requirement, but should not be used for M.S.B main isolator

Notes:

- 1) Normal conditions generally correspond to the use of a piece of equipment at an ambient temperature of 40°C for a period of a 8 hours.
- 2) Not imposed by standard.

-  Normal current
-  Overload current
-  Short-circuit current

Standards

The new NHP ISO isolators are designed to comply with both national and international standards.

- Tested according to IEC 60947-3
- Comply with AS/NZS 60947-3
- AC 23 / 690V ratings



Safe

Clear indication of the switch position.
Triple padlocking in the off position for safe isolation.
Secures transfer for mechanical or electrical work.



Extensive range

Wide range of ratings (25 to 250 A), switch types and enclosure materials (polycarbonate, polyester, aluminium, stainless steel) to suit every application.



Easy installation

Cables feed through pre-cut holes at the top or bottom, to save time during cabling.
Generous cabling space to allow termination of larger cables.



Standard

Socomec enclosed switches conform to the European Directive on Low Voltage and the Machine directive.
They meet the requirements of product standards IEC 60947-3.



Reliable

Proven switchgear technology for load break switches. Robust mechanism and external handle operated.

Typical Switch Disconnecter Applications

Switching of mixed loads applications:

- Motor control centers
- Low-voltage switchboard
- Low-voltage substations
- Distribution panels in buildings

Motor disconnecting in various applications:

- Machine builders
- HVAC, pumps, and conveyors

Industries:

- Food and Beverage
- Metal
- Pulp & Paper
- Refining & petrochemicals
- Mining
- Oil & Gas
- Marine

Power generation and renewables:

- Wind turbines
- Solar plants
- Generating sets
- Power plants



Key Features of NHP Switch Disconnectors

Wide range of products

- Available in polycarbonate, polyester, aluminum and stainless steel enclosures
- Comprehensive range from 25 to 250A models
- Standard models 3P, 4P and 6P available

Easy to install and maintenance

- Centered switch mechanism applied and maintained in the base
- Large cable terminals
- Generous housing for large size cables
- Multiple cable entries for flexible installation

Safe and reliable

- Complies with IEC 60947-3 and AS/NZS 60947-3
- Fully rated load break switch
- Padlocking in OFF position with the provision for three padlocks comes with inbuilt earth terminals and optional neutral pole
- Excellent insulating properties
- Reliable position indication
- Retrofit 'snap on' auxiliary contacts available
- Interlocking when switched ON

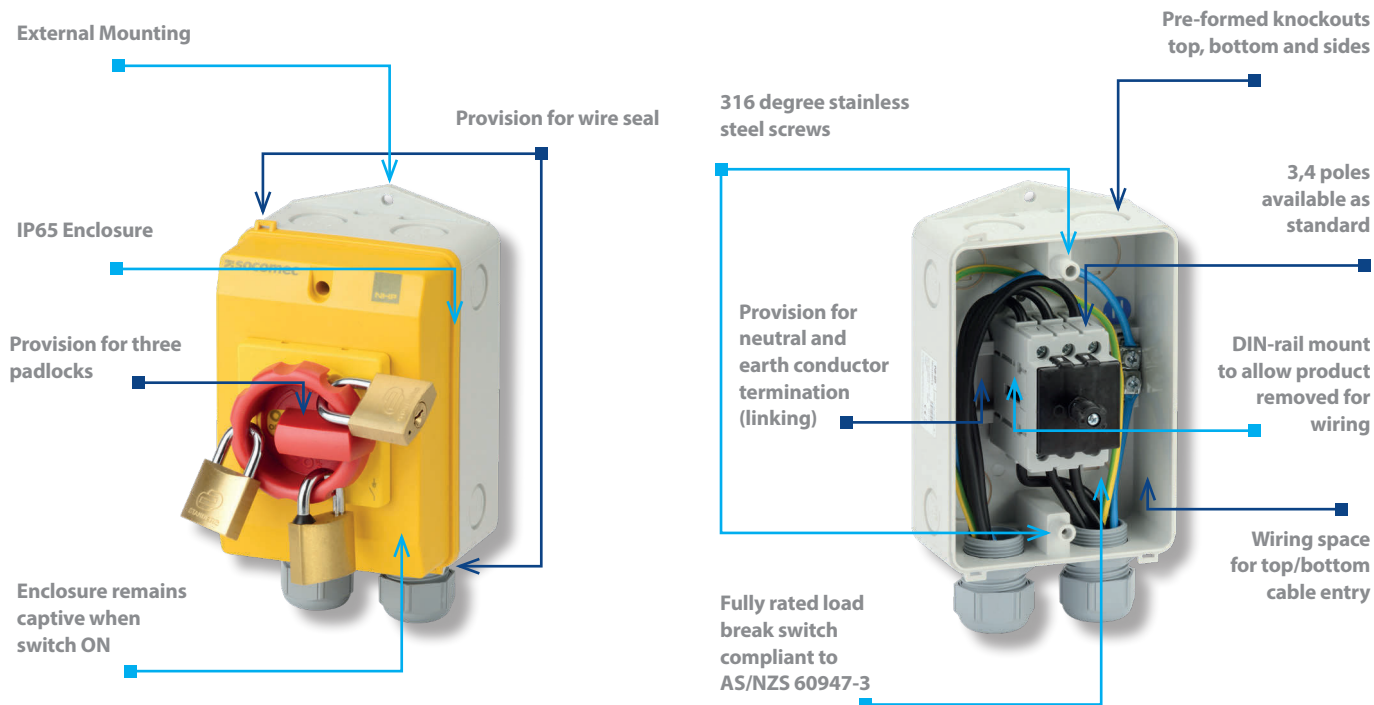


Benefits of NHP Switch Disconnectors

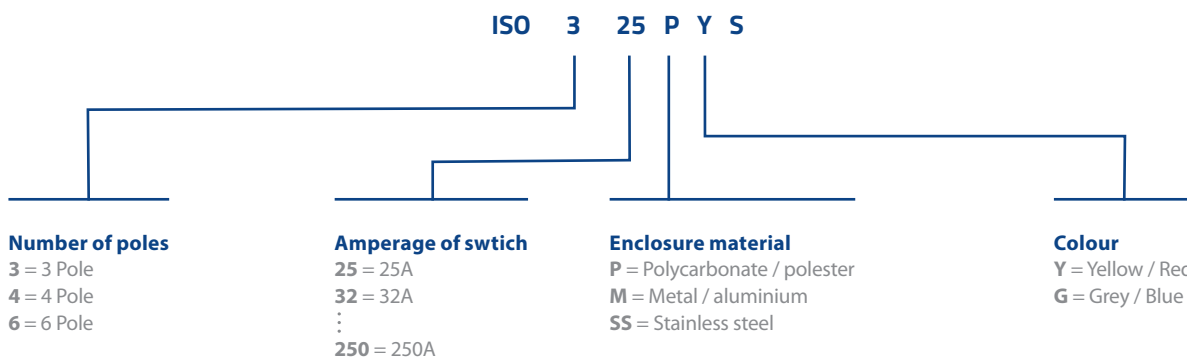
- Fast installation, easy maintenance and simple to use
- Reliable product complies with standards AS/NZS 60947-3
- Simple ordering with local stock
- Full technical support from NHP
- Range of specialist switches for niche applications



High quality enclosures ensure seamless installation for various applications



Product Part Number Construction



Polycarbonate Enclosed ISO Switch Disconnectors

Key Features

- Door interlock when switch is in ON position preventing the unauthorized removal of the enclosure cover for added safety
- High IP65 rating
- Easy to install and operate
- Comprehensive range, 25A to 125A models
- Switch centering system for an easy closing of the enclosure
- Up to 3 padlocks in OFF position for added security
- Inbuilt earth terminal
- Optional unswitched solid neutral pole and EMC kits for application flexibility
- Snap-on auxiliary and neutral poles – couldn't be any easier or quicker to install
- 316 degree stainless screws used



Left: ISO340PGLES
Right: ISO325PYS

3 Pole ISO Switch Disconnectors

Ie, AC 21 Rating for up to 690V	Power Rating 415/690V	Ie, AC 23 Rating 415/690V	Icw, 0.3s (rms) [kA,0.3s]	Icw, 1s (rms) [kA, 1s]	Enclosure Type	Wire / Conductor Size (Max)	Catalogue Number ¹⁾
25A	9.5 / 12 kW	20 / 12 A	0.68	0.34	PCE1	10 mm ²	ISO325P_S
32A	11.5 / 13 kW	22 / 13 A	1.28	0.64	PCE1	10 mm ²	ISO332P_S
40A	20 / 18 kW	40 / 18 A	1.28	0.64	PCE2	10 mm ²	ISO340P_LES
40A	20 / 18 kW	40 / 18 A	1.28	0.64	PCE1	10 mm ²	ISO340P_S
63A	22 / 22 kW	44 / 22 A	2.52	1.26	PCE2	16 mm ²	ISO363P_S
80A	30 / 25.5 kW	53 / 23.5 A	2.52	1.26	PCE2	25 mm ²	ISO380P_S
100A	37 / 34 kW	70 / 34 A	4	2	PCE2	35 mm ²	ISO3100P_S
125A	45 / 41 kW	84 / 41 A	4	2	PCE3	50 mm ²	ISO3125P_S



Left: ISO440PGLES
Right: ISO425PYS

4 Pole ISO Switch Disconnectors

Ie, AC 21 Rating for up to 690V	Power Rating 415/690V	Ie, AC 23 Rating 415/690V	Icw, 0.3s (rms) [kA,0.3s]	Icw, 1s (rms) [kA, 1s]	Enclosure Type	Wire / Conductor Size (Max)	Catalogue Number ¹⁾
25A	9.5 / 12 kW	20 / 12 A	0.68	0.34	PCE1	10 mm ²	ISO425P_S
32A	11.5 / 13 kW	22 / 13 A	1.28	0.64	PCE1	10 mm ²	ISO432P_S
40A	20 / 18 kW	40 / 18 A	1.28	0.64	PCE2	10 mm ²	ISO440P_LES
40A	20 / 18 kW	40 / 18 A	1.28	0.64	PCE1	10 mm ²	ISO440P_S
63A	22 / 22 kW	44 / 22 A	2.52	1.26	PCE2	16 mm ²	ISO463P_S
80A	30 / 25.5 kW	53 / 23.5 A	2.52	1.26	PCE2	25 mm ²	ISO480P_S
100A	37 / 34 kW	70 / 34 A	4	2	PCE2	35 mm ²	ISO4100P_S
125A	45 / 41 kW	84 / 41 A	4	2	PCE3	50 mm ²	ISO4125P_S



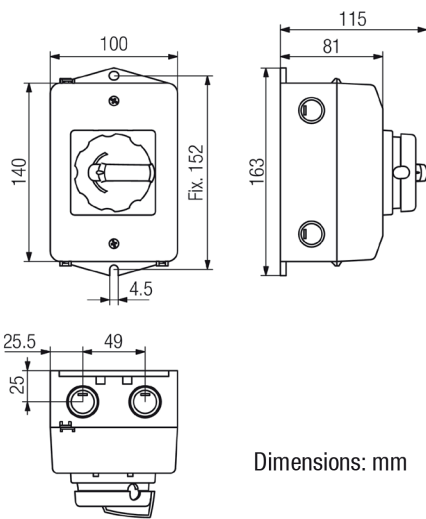
Left: ISO663PYS
Right: ISO663PGS

6 Pole ISO Switch Disconnectors

Ie, AC 21 Rating for up to 690V	Power Rating 415/690V	Ie, AC 23 Rating 415/690V	Icw, 0.3s (rms) [kA,0.3s]	Icw, 1s (rms) [kA, 1s]	Enclosure Type	Wire / Conductor Size (Max)	Catalogue Number ¹⁾
32A	32 / 13 kW	22 / 13 A	1.28	0.64	PCE2	10 mm ²	ISO632P_S
63A	22 / 22 kW	44 / 23.5 A	2.52	1.26	PCE3	16 mm ²	ISO663P_S

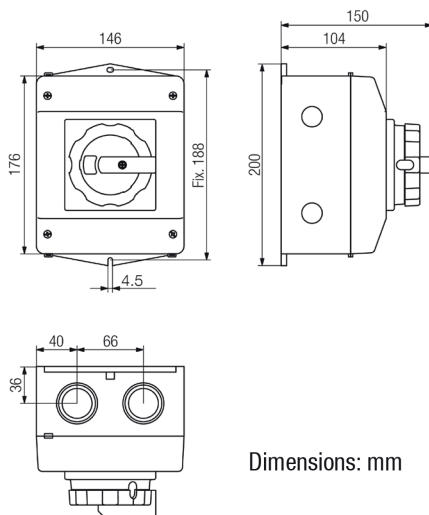
1) Replace the dash with 'G' for grey enclosure with blue handle or 'Y' for yellow enclosure with red handle.

Polycarbonate Enclosure Dimensions



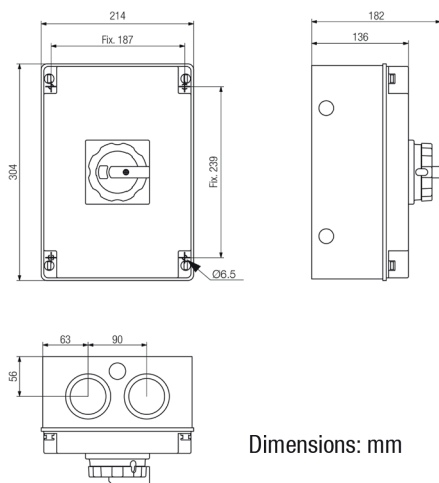
PCE1

- 2x M25 Pre-formed holes on top
- 2x M25 Pre-formed holes on bottom
- 2x M20 Pre-formed holes on right side
- 2x M20 Pre-formed holes on left side



PCE2

- 2x M32/M40 Pre-formed holes on top
- 2x M32/M40 Pre-formed holes on bottom
- 2x M20 Pre-formed holes on right side
- 2x M20 Pre-formed holes on left side

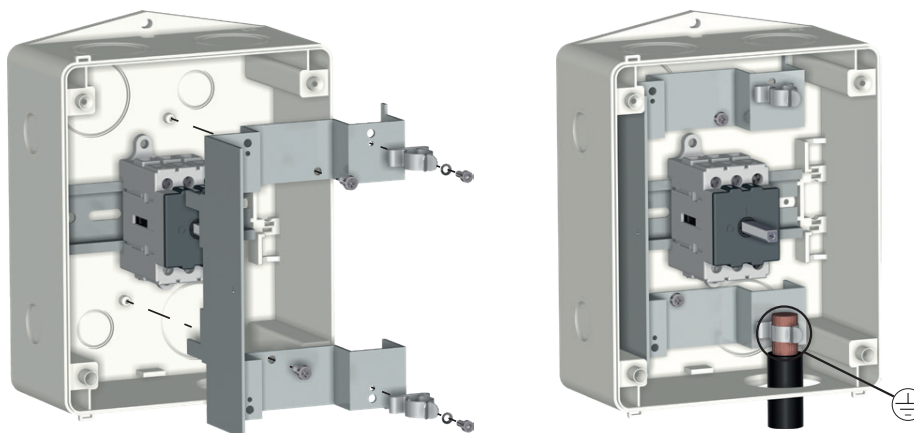



PCE3

- 2x M32/M40 Pre-formed holes on top
- 2x M32/M40 Pre-formed holes on bottom
- 2x M20 Pre-formed holes on right side
- 2x M20 Pre-formed holes on left side

Accessories for Polycarbonate Enclosed ISO IP65 Switch Disconnectors

EMC Kit



Product size	PCE1	PCE2	PCE3
EMC Shield reference	21NH0301	21NH0302	21NH0303
	3 - 12 mm with insulation 7 - 113 mm ² with insulation / 12 - 35 mm ² without insulation		

Description	Compatible Enclosure type	Catalogue Number
EMC KIT TO SUIT 25A TO 40A POLYCARBONATE ENCLOSURE	PCE1	21NH0301
EMC KIT TO SUIT 32A TO 100A POLYCARBONATE ENCLOSURE	PCE2	21NH0302
EMC KIT TO SUIT 63A TO 125A POLYCARBONATE ENCLOSURE	PCE3	21NH0303



21155005

Neutral Pole

Description

UNSWITCHED SOLID NEUTRAL POLE TO SUIT 25A TO 32A POLYCARBONATE ISO SWITCH	21155005
UNSWITCHED SOLID NEUTRAL POLE TO SUIT 40A TO 63A POLYCARBONATE ISO SWITCH	21155007
UNSWITCHED SOLID NEUTRAL POLE TO SUIT 80A POLYCARBONATE ISO SWITCH	21155009
UNSWITCHED SOLID NEUTRAL POLE TO SUIT 100A TO 125A POLYCARBONATE ISO SWITCH	21155011

Catalogue Number



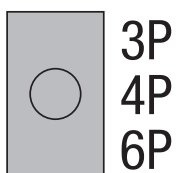
21134001

Auxiliary

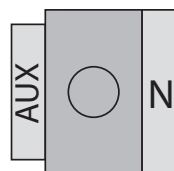
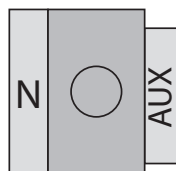
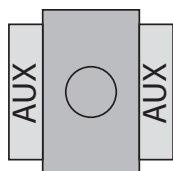
- Maximum 2 auxiliary contacts on each product
- Limited to 1 auxiliary contact only when an unswitched neutral pole installed

Description	Contact type	Catalogue Number
AUXILIARY CONTACT 1NO+ 1 NC TO SUIT 25A-125A POLYCARBONATE ISO SWITCH	1 NO+ 1 NC	21134001
AUXILIARY CONTACT 2 NO TO SUIT 25A-125A POLYCARBONATE ISO SWITCH ISO SWITCH	2 NO	21134002

Auxiliary configuration



ALLOWED



Polyester Enclosed ISO IP65 Switch Disconnectors

Key features

- Door interlock when switch is in ON position preventing the unauthorized removal of the enclosure cover for added safety
- High IP65 rating
- Easy to install and operate
- Compatible for larger applications, 160A and 250A models
- Switch centering system for an easy closing of the enclosure
- Up to 3 padlocks in OFF position for added security
- Inbuilt earth terminal
- Optional unswitched solid neutral terminal for application flexibility
- Easy to install auxiliary and neutral poles



Left: ISO3250PYS
Right: ISO3160PGS

3 Pole ISO Switch Disconnectors

Ie, AC 21 Rating for up to 415V	Power Rating 415/690V*	Ie, AC 23 Rating 415/690V*	Icw, 0.3s (rms) [kA, 0.3s]	Icw, 1s (rms) [kA, 1s]	Enclosure Type	Wire / Conductor Size (Max)	Catalogue Number ¹⁾
160A	80 / - kW	160 / - A	15	7	PEE3	95 mm ²	ISO3160P_S
160A	80 / - kW	160 / - A	15	7	PEE5	95 mm ²	ISO3160P_LES
250A	132 / - kW	250 / - A	17	9	PEE5	150 mm ²	ISO3250P_S



Left: ISO4250PYS
Right: ISO4160PGS

4 Pole ISO Switch Disconnectors

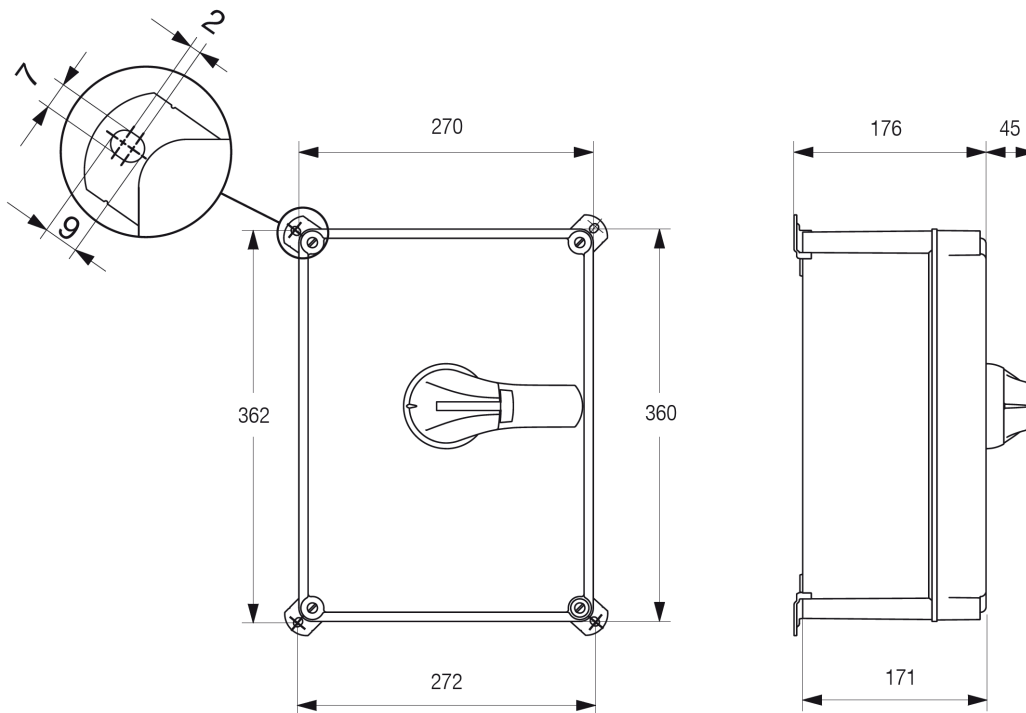
Ie, AC 21 Rating for up to 415V	Power Rating 415/690V*	Ie, AC 23 Rating 415/690V*	Icw, 0.3s (rms) [kA, 0.3s]	Icw, 1s (rms) [kA, 1s]	Enclosure Type	Wire / Conductor Size (Max)	Catalogue Number ¹⁾
160A	80 / - kW	160 / - A	15	7	PEE3	95 mm ²	ISO4160P_S
160A	80 / - kW	160 / - A	15	7	PEE5	95 mm ²	ISO4160P_LES
250A	132 / - kW	250 / - A	17	9	PEE5	150 mm ²	ISO4250P_S

1) Replace the dash with 'G' for grey enclosure with blue handles or 'Y' for grey enclosure with red and yellow handle.

*690V rated switches available as a custom order. Please contact NHP for more information.

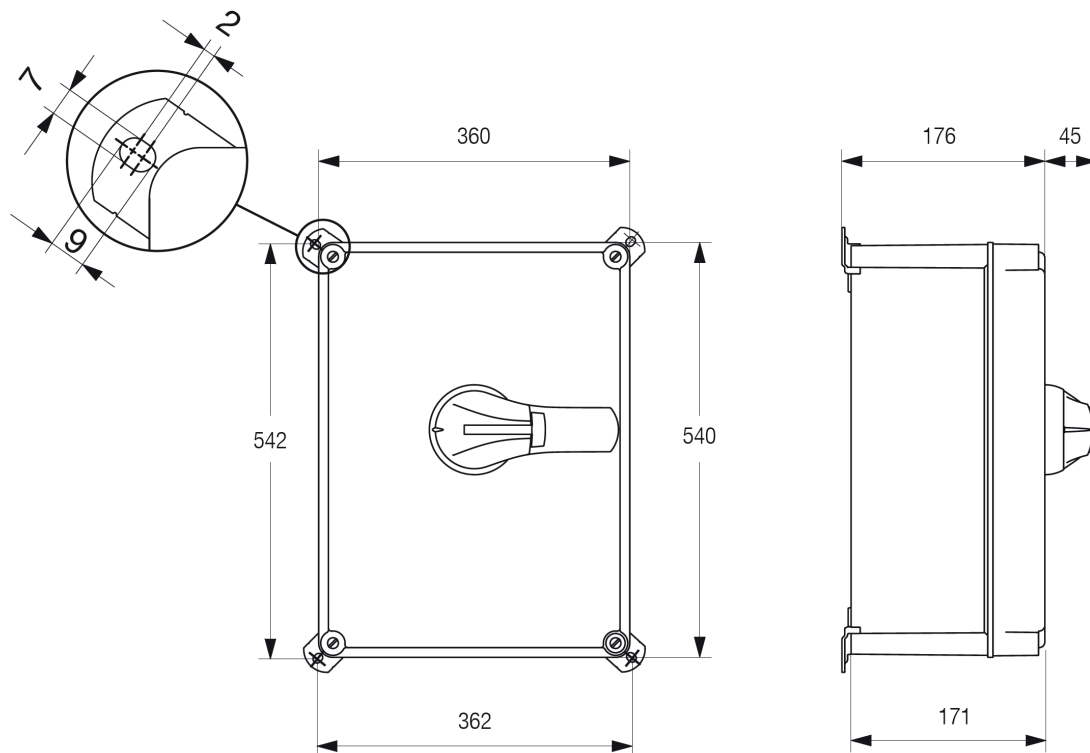
Polyester Enclosure Dimensions

PEE3



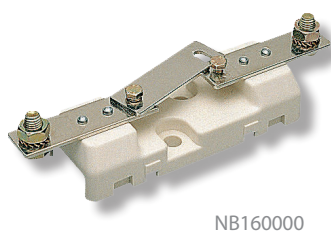
Dimensions: mm

PEE5



Dimensions: mm

Accessories for Polyester Enclosed ISO IP65 Switch Disconnectors



Neutral Terminal

Description

UNSWITCHED SOLID NEUTRAL TERMINAL TO SUIT 160A ALUMINIUM, POLYESTER AND STAINLESS STEEL ISO SWITCH
UNSWITCHED SOLID NEUTRAL TERMINAL TO SUIT 250A ALUMINIUM, POLYESTER AND STAINLESS STEEL ISO SWITCH

Catalogue Number

NB160000

NB250000



Auxiliary

- Maximum 2 auxiliary contacts on each product

Description

AUXILIARY CONTACT 1NO/NC 1ST CONTACT TO SUIT 160A TO 250A ALUMINIUM, POLYESTER AND STAINLESS STEEL ISO SWITCHES
AUXILIARY CONTACT 1NO/NC 2ND CONTACT TO SUIT 160A TO 250A ALUMINIUM, POLYESTER AND STAINLESS STEEL ISO SWITCHES*

Contact type

1 NO/ 1 NC

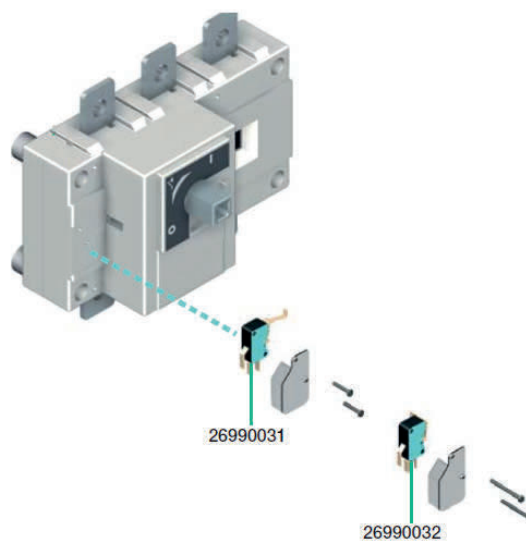
Catalogue Number

26990031

1 NO/ 1 NC

26990032

Auxiliary configuration for 160A to 250A*



*Please note: 26990032 requires 26990031 to be installed first.

Terminal Covers

Available in one, three and four pole, Catalogue Number is referenced for top or bottom protection against direct contact with terminals.



26944014

Description

TERMINAL COVER TO SUIT 3 POLE 160A ALUMINIUM, POLYESTER AND STAINLESS STEEL ISO SWITCHES
TERMINAL COVER TO SUIT 4 POLE 160A ALUMINIUM, POLYESTER AND STAINLESS STEEL ISO SWITCHES
TERMINAL COVER TO SUIT 3 POLE 250A ALUMINIUM, POLYESTER AND STAINLESS STEEL ISO SWITCHES
TERMINAL COVER TO SUIT 4 POLE 250A ALUMINIUM, POLYESTER AND STAINLESS STEEL ISO SWITCHES

Catalogue Number

26943014

26944014

26943021

26944021

Aluminum Enclosed ISO IP65 Switch Disconnectors

Key features

- Door interlock when switch is in ON position preventing the unauthorized removal of the enclosure cover for added safety
- High IP65 rating
- Strong and durable construction
- Easy to install and operate
- Comprehensive range, 25A to 250A models
- Switch centering system for an easy closing of the enclosure
- Up to 3 padlocks in OFF position for added security
- Inbuilt earth terminal
- Optional unswitched solid neutral pole for application flexibility
- Quick and easy to install auxiliary and neutral poles



Top Left: ISO325MYS
Bottom Left: ISO325MYS
Right: ISO363MGS

3 Pole ISO Switch Disconnectors

Ie, AC 21 Rating for up to 690V	Ie, AC 23 Rating 415/690V	Icw, 0.3s (rms) [kA, 0.3s]	Icw, 1s (rms) [kA, 1s]	Enclosure Type	Wire / Conductor Size (Max)	Catalogue Number ¹⁾
25A	25 / 25 A	2.5	1.26	ALE1	16 mm ²	ISO325M_S
40A	40 / 40 A	2.5	1.26	ALE1	16 mm ²	ISO340M_S
63A	63 / 63 A	3	1.5	ALE3	35 mm ²	ISO363M_S
80A	80 / 80 A	3	1.5	ALE3	35 mm ²	ISO380M_S
100A	100 / 100 A	5	2.75	ALE3	70 mm ²	ISO3100M_S
160A	160 / - A*	15	7	ALE5	95 mm ²	ISO3160M_S
250A	250 / - A*	17	9	ALE5	150 mm ²	ISO3250M_S

4 Pole ISO Switch Disconnectors



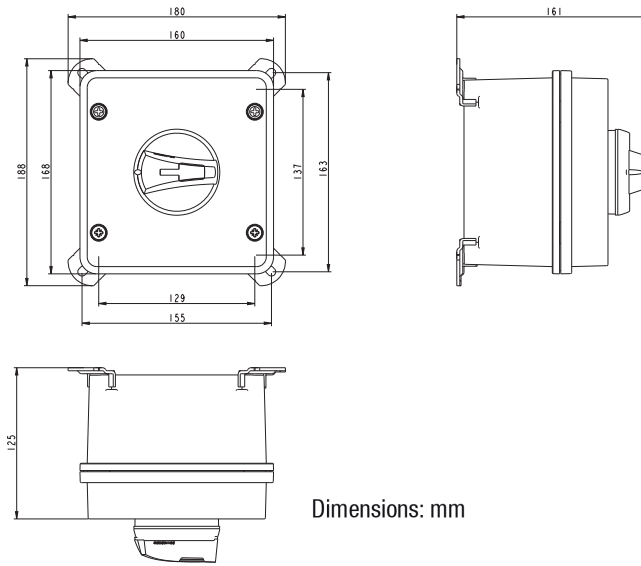
Top Left: ISO325MYS
Bottom Left: ISO4250MYS
Right: ISO463MYS

Ie, AC 21 Rating for up to 690V	Ie, AC 23 Rating 415/690V	Icw, 0.3s (rms) [kA, 0.3s]	Icw, 1s (rms) [kA, 1s]	Enclosure Type	Wire / Conductor Size (Max)	Catalogue Number ¹⁾
25A	25 / 25 A	2.5	1.26	ALE1	16 mm ²	ISO425M_S
40A	40 / 40 A	2.5	1.26	ALE1	16 mm ²	ISO440M_S
63A	63 / 63 A	3	1.5	ALE3	35 mm ²	ISO463M_S
80A	80 / 80 A	3	1.5	ALE3	35 mm ²	ISO480M_S
100A	100 / 100 A	5	2.75	ALE3	70 mm ²	ISO4100M_S
160A	160 / - A*	15	7	ALE5	95 mm ²	ISO4160M_S
250A	250 / - A*	17	9	ALE5	150 mm ²	ISO4250M_S

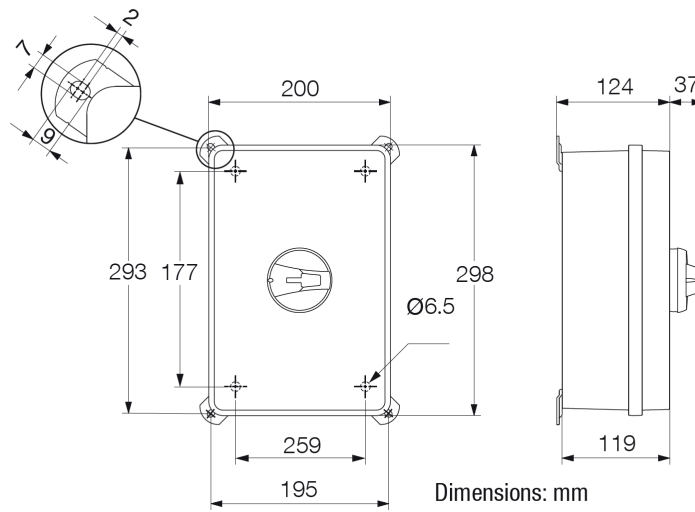
1) Replace the dash with 'G' for grey enclosure with blue handles or 'Y' for yellow enclosure with red handle
*690V rated switches available as a custom order. Please contact NHP for more information

Aluminum Enclosure Dimensions

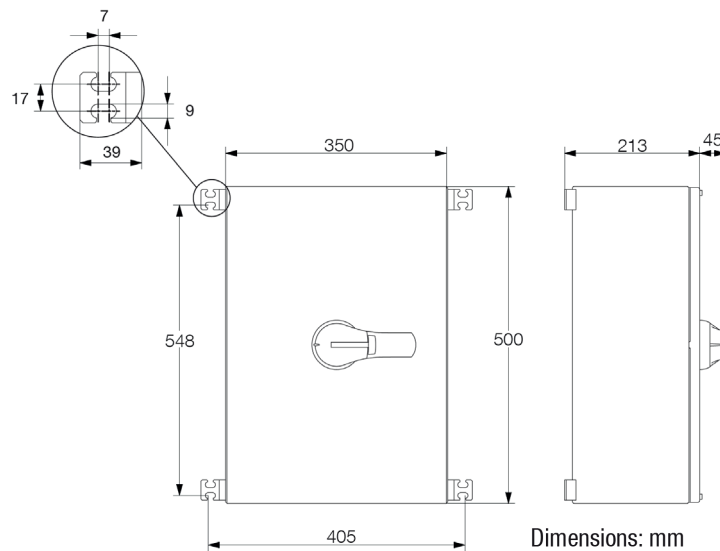
ALE1



ALE3



ALE5



Accessories for Aluminium Enclosed ISO IP65 Switch Disconnectors

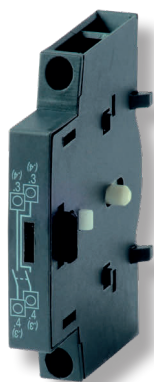
Neutral Pole



22001001

Description

Description	Catalogue Number
SWITCHED NEUTRAL POLE TO SUIT 25A ALUMINIUM AND STAINLESS STEEL ISO SWITCH	22001001
UNSWITCHED SOLID NEUTRAL POLE TO SUIT 25A TO 40A ALUMINIUM AND STAINLESS STEEL ISO SWITCH	22005005
SWITCHED NEUTRAL POLE TO SUIT 40A ALUMINIUM AND STAINLESS STEEL ISO SWITCH	22001004
SWITCHED NEUTRAL POLE TO SUIT 63A ALUMINIUM AND STAINLESS STEEL ISO SWITCH	22001006
UNSWITCHED SOLID NEUTRAL POLE TO SUIT 63A TO 80A ALUMINIUM AND STAINLESS STEEL ISO SWITCH	22005009
SWITCHED NEUTRAL POLE TO SUIT 80A ALUMINIUM AND STAINLESS STEEL ISO SWITCH	22001008
UNSWITCHED SOLID NEUTRAL POLE TO SUIT 100A ALUMINIUM AND STAINLESS STEEL ISO SWITCH	22005011
SWITCHED NEUTRAL POLE TO SUIT 80A ALUMINIUM AND STAINLESS STEEL ISO SWITCH	22001010
UNSWITCHED SOLID NEUTRAL TERMINAL TO SUIT 160A ALUMINIUM, POLYESTER AND STAINLESS STEEL ISO SWITCH	NB160000
UNSWITCHED SOLID NEUTRAL TERMINAL TO SUIT 250A ALUMINIUM, POLYESTER AND STAINLESS STEEL ISO SWITCH	NB250000



22990011

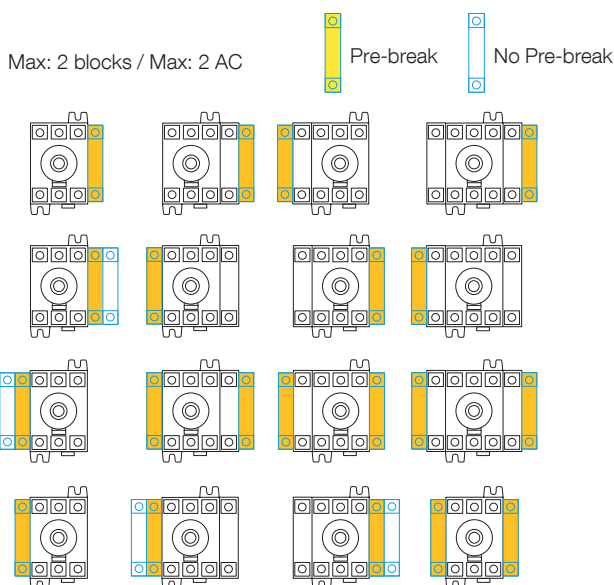
Auxiliary

- Maximum 2 auxiliary contacts on each product

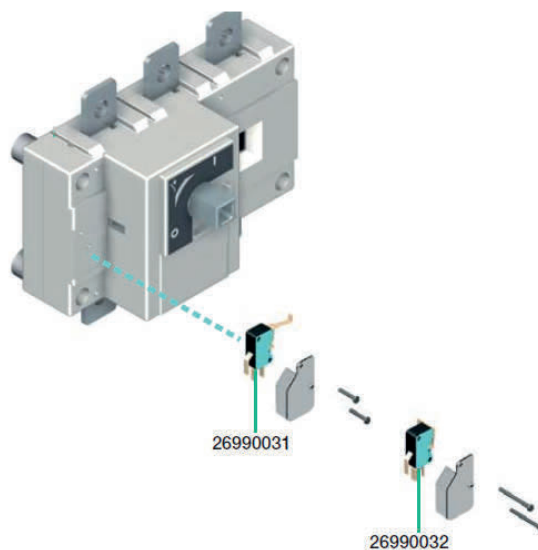
Description

Description	Contact type	Catalogue Number
AUXILIARY PRE-BREAK CONTACT 2NO TO SUIT 25A TO 100A ALUMINIUM AND STAINLESS STEEL ISO SWITCH	2 NO	22990011
AUXILIARY PRE-BREAK CONTACT 1NO+1NC TO SUIT 25A TO 100A ALUMINIUM AND STAINLESS STEEL ISO SWITCH	1 NO+ 1 NC	22990001
AUXILIARY CONTACT 1NO/NC 1ST CONTACT TO SUIT 160A TO 250A ALUMINIUM, POLYESTER AND STAINLESS STEEL ISO SWITCHES	1 NO/ 1 NC	26990031
AUXILIARY CONTACT 1NO/NC 2ND CONTACT TO SUIT 160A TO 250A ALUMINIUM, POLYESTER AND STAINLESS STEEL ISO SWITCHES*	1 NO/ 1 NC	26990032

Auxiliary configuration for 25A to 100A



Auxiliary configuration for 160A to 250A*



*Please note: 26990032 requires 26990031 to be installed first.

Terminal Covers

Available in one, three and four pole, Catalogue Number is referenced for top or bottom protection against direct contact with terminals.



22943005

Description	Catalogue Number
TERMINAL COVER TO SUIT 1 POLE 25A TO 40A ALUMINIUM AND STAINLESS STEEL ISO SWITCH*	22941005
TERMINAL COVER TO SUIT 3 POLE 25A TO 40A ALUMINIUM AND STAINLESS STEEL ISO SWITCH	22943005
TERMINAL COVER TO SUIT 1 POLE 63A TO 80A ALUMINIUM AND STAINLESS STEEL ISO SWITCH*	22941009
TERMINAL COVER TO SUIT 3 POLE 63A TO 80A ALUMINIUM AND STAINLESS STEEL ISO SWITCH	22943009
TERMINAL COVER TO SUIT 1 POLE 100A ALUMINIUM AND STAINLESS STEEL ISO SWITCH*	22941011
TERMINAL COVER TO SUIT 3 POLE 100A ALUMINIUM AND STAINLESS STEEL ISO SWITCH	22943016
TERMINAL COVER TO SUIT 3 POLE 160A ALUMINIUM, POLYESTER AND STAINLESS STEEL ISO SWITCHES	26943014
TERMINAL COVER TO SUIT 4 POLE 160A ALUMINIUM, POLYESTER AND STAINLESS STEEL ISO SWITCHES	26944014
TERMINAL COVER TO SUIT 3 POLE 250A ALUMINIUM, POLYESTER AND STAINLESS STEEL ISO SWITCHES	26943021
TERMINAL COVER TO SUIT 4 POLE 250A ALUMINIUM, POLYESTER AND STAINLESS STEEL ISO SWITCHES	26944021

* For 4 pole ISO Switches - 25A to 100A, Order 1 x 3P terminal cover and 1 x 1P terminal cover.

Stainless Steel Enclosed ISO IP65 Switch Disconnectors

Key features

- Door interlock when switch is in ON position preventing the unauthorized removal of the enclosure cover for added safety
- High IP65 rating
- 316 Stainless Steel
- Easy to install and operate
- Comprehensive range, 25A to 250A models
- Switch centering system for an easy closing of the enclosure
- Up to 3 padlocks in OFF position for added security
- Inbuilt earth terminal
- Optional unswitched neutral pole for application flexibility
- Quick and easy to install auxiliary and neutral poles
- Large gland plates (top and bottom) for easy gland installation and switch wiring

3 Pole ISO Switch Disconnectors



Top Left: ISO3250SSYS
Bottom Left: ISO325SSYS
Right: ISO3100SSYS

Ie, AC 21 Rating for up to 690V	Ie, AC 23 Rating 415/690V	Icw, 0.3s (rms) [kA, 0.3s]	Icw, 1s (rms) [kA, 1s]	Enclosure Type	Wire / Conductor Size (Max)	Catalogue Number
25A	25 / 25 A	2.5	1.26	SSE1	16 mm ²	ISO325SSYS
40A	40 / 40 A	2.5	1.26	SSE1	16 mm ²	ISO340SSYS
63A	63 / 63 A	3	1.5	SSE1	35 mm ²	ISO363SSYS
80A	80 / 80 A	3	1.5	SSE1	35 mm ²	ISO380SSYS
100A	100 / 100 A	5	2.75	SSE3	70 mm ²	ISO3100SSYS
160A	160 / - A*	15	7	SSE5	95 mm ²	ISO3160SSYS
250A	250 / - A*	17	9	SSE5	150 mm ²	ISO3250SSYS

4 Pole ISO Switch Disconnectors



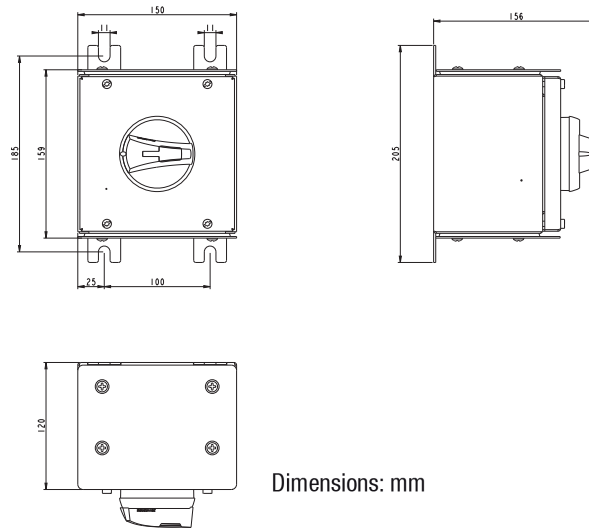
Top Left: ISO4250SSYS
Bottom Left: ISO425SSYS
Right: ISO4100SSYS

Ie, AC 21 Rating for up to 690V	Ie, AC 23 Rating 415/690V	Icw, 0.3s (rms) [kA, 0.3s]	Icw, 1s (rms) [kA, 1s]	Enclosure Type	Wire / Conductor Size (Max)	Catalogue Number
25A	25 / 25 A	2.5	1.26	SSE1	16 mm ²	ISO425SSYS
40A	40 / 40 A	2.5	1.26	SSE1	16 mm ²	ISO440SSYS
63A	63 / 63 A	3	1.5	SSE1	35 mm ²	ISO463SSYS
80A	80 / 80 A	3	1.5	SSE1	35 mm ²	ISO480SSYS
100A	100 / 100 A	5	2.75	SSE3	70 mm ²	ISO4100SSYS
160A	160 / - A*	15	7	SSE5	95 mm ²	ISO4160SSYS
250A	250 / - A*	17	9	SSE5	150 mm ²	ISO4250SSYS

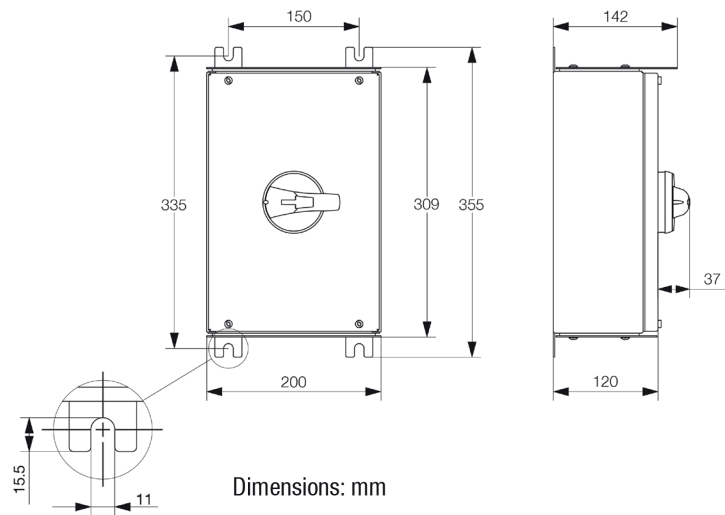
*690V rated switches available as a custom order. Please contact NHP for more information

Stainless Steel Enclosure Dimensions

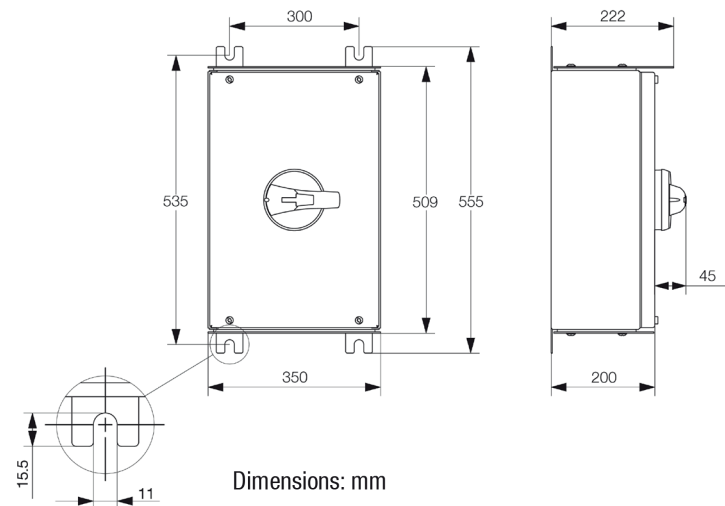
SSE1



SSE3



SSE5



Accessories for Stainless Steel Enclosed ISO IP65 Switch Disconnectors

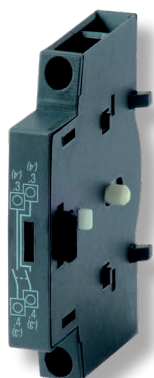


22001001

Neutral Pole

Description

Description	Catalogue Number
SWITCHED NEUTRAL POLE TO SUIT 25A ALUMINIUM AND STAINLESS STEEL ISO SWITCH	22001001
UNSWITCHED SOLID NEUTRAL POLE TO SUIT 25A TO 40A ALUMINIUM AND STAINLESS STEEL ISO SWITCH	22005005
SWITCHED NEUTRAL POLE TO SUIT 40A ALUMINIUM AND STAINLESS STEEL ISO SWITCH	22001004
SWITCHED NEUTRAL POLE TO SUIT 63A ALUMINIUM AND STAINLESS STEEL ISO SWITCH	22001006
UNSWITCHED SOLID NEUTRAL POLE TO SUIT 63A TO 80A ALUMINIUM AND STAINLESS STEEL ISO SWITCH	22005009
SWITCHED NEUTRAL POLE TO SUIT 80A ALUMINIUM AND STAINLESS STEEL ISO SWITCH	22001008
UNSWITCHED SOLID NEUTRAL POLE TO SUIT 100A ALUMINIUM AND STAINLESS STEEL ISO SWITCH	22005011
SWITCHED NEUTRAL POLE TO SUIT 80A ALUMINIUM AND STAINLESS STEEL ISO SWITCH	22001010
UNSWITCHED SOLID NEUTRAL TERMINAL TO SUIT 160A ALUMINIUM, POLYESTER AND STAINLESS STEEL ISO SWITCH	NB160000
UNSWITCHED SOLID NEUTRAL TERMINAL TO SUIT 250A ALUMINIUM, POLYESTER AND STAINLESS STEEL ISO SWITCH	NB250000



22990011

Auxiliary

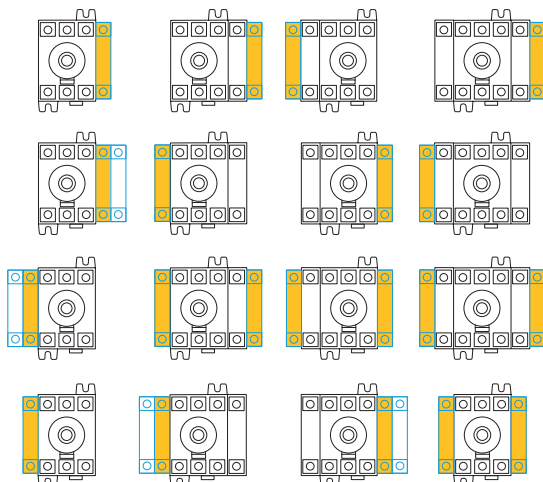
- Maximum 2 auxiliary contacts on each product

Description

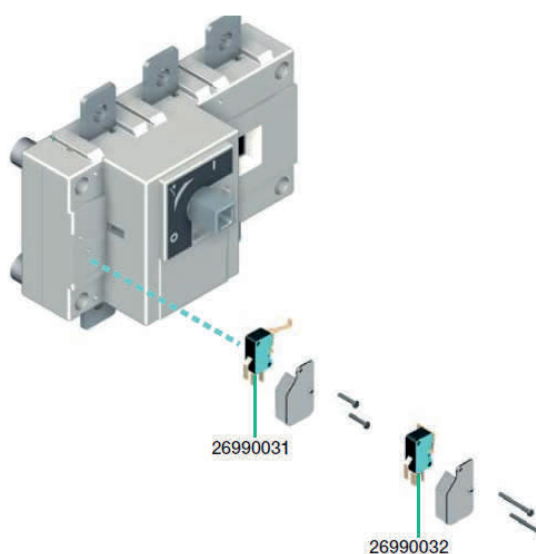
Description	Contact type	Catalogue Number
AUXILIARY PRE-BREAK CONTACT 2NO TO SUIT 25A TO 100A ALUMINIUM AND STAINLESS STEEL ISO SWITCH	2 NO	22990011
AUXILIARY PRE-BREAK CONTACT 1NO+1NC TO SUIT 25A TO 100A ALUMINIUM AND STAINLESS STEEL ISO SWITCH	1 NO+ 1 NC	22990001
AUXILIARY CONTACT 1NO/NC 1ST CONTACT TO SUIT 160A TO 250A ALUMINIUM, POLYESTER AND STAINLESS STEEL ISO SWITCHES	1 NO/ 1 NC	26990031
AUXILIARY CONTACT 1NO/NC 2ND CONTACT TO SUIT 160A TO 250A ALUMINIUM, POLYESTER AND STAINLESS STEEL ISO SWITCHES*	1 NO/ 1 NC	26990032

Auxiliary configuration for 25A to 100A

Max: 2 blocks / Max: 2 AC



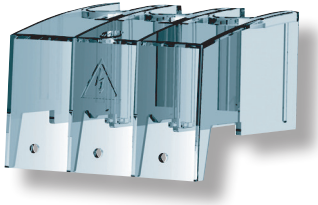
Auxiliary configuration for 160A to 250A*



*Please note: 26990032 requires 26990031 to be installed first.

Terminal Covers

Available in one, three and four pole, Catalogue Number is referenced for top or bottom protection against direct contact with terminals.



22943005

Description	Catalogue Number
TERMINAL COVER TO SUIT 1 POLE 25A TO 40A ALUMINIUM AND STAINLESS STEEL ISO SWITCH*	22941005
TERMINAL COVER TO SUIT 3 POLE 25A TO 40A ALUMINIUM AND STAINLESS STEEL ISO SWITCH	22943005
TERMINAL COVER TO SUIT 1 POLE 63A TO 80A ALUMINIUM AND STAINLESS STEEL ISO SWITCH*	22941009
TERMINAL COVER TO SUIT 3 POLE 63A TO 80A ALUMINIUM AND STAINLESS STEEL ISO SWITCH	22943009
TERMINAL COVER TO SUIT 1 POLE 100A ALUMINIUM AND STAINLESS STEEL ISO SWITCH*	22941011
TERMINAL COVER TO SUIT 3 POLE 100A ALUMINIUM AND STAINLESS STEEL ISO SWITCH	22943016
TERMINAL COVER TO SUIT 3 POLE 160A ALUMINIUM, POLYESTER AND STAINLESS STEEL ISO SWITCHES	26943014
TERMINAL COVER TO SUIT 4 POLE 160A ALUMINIUM, POLYESTER AND STAINLESS STEEL ISO SWITCHES	26944014
TERMINAL COVER TO SUIT 3 POLE 250A ALUMINIUM, POLYESTER AND STAINLESS STEEL ISO SWITCHES	26943021
TERMINAL COVER TO SUIT 4 POLE 250A ALUMINIUM, POLYESTER AND STAINLESS STEEL ISO SWITCHES	26944021

* For 4 pole ISO Switches - 25A to 100A, Order 1 x 3P terminal cover and 1 x 1P terminal cover.

Notes

Notes

Notes

The NHP logo consists of the letters 'NHP' in a bold, white, sans-serif font, centered within a dark blue square background.

NHP

nhp.com.au
SALES 1300 NHP NHP
sales@nhp.com.au

www.nhpnz.co.nz
SALES 0800 NHP NHP
sales@nhp-nz.com

NHP Electrical Engineering Products

A.B.N. 84 004 304 812

© COPYRIGHT NHP 2020

1512549 02/21