



# Solar PV 32A 1200V DC

New durable aluminium isolator designed for the harshest Australian environments

POWER DISTRIBUTION AND PROTECTION



- Fully compliant with AS60947.3:2018  
Suitable to be used throughout Australia and New Zealand
- Superior temperature performance, conforming to AS5033:2018  
Long lasting service life and reliable switching
- Robust IP66NW Aluminum enclosure  
Best protection against damaging moisture ingress and UV exposure
- 1200V DC rating per pole to AS5033:2018  
Maintaining reliability and safety when used with transformerless inverters
- External earthing stud on enclosure

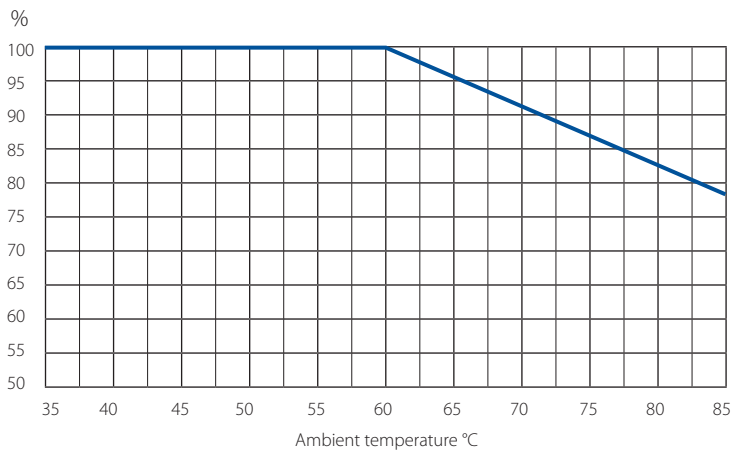


**Note:** 32A is rated 4 contacts (1 pole) in series under 1200V DC

## Features:

- 1200V DC per pole DC-PV2
- Aluminium enclosure
- Operates at an ambient of 85° C max in accordance with AS5033:2018 4.3.5.1
- IP66NW rated in all mounting directions\* once correctly installed
- Padlockable in OFF position with up to three locks
- Door interlock with anti-defeat mechanism
- Suits single string transformerless inverter applications
- UV and chemical resistance
- Threaded metal plugs available. Cat. No. ISOM25TT
- Non-polarised
- Marked 'PV ARRAY DC ISOLATOR' in accordance with AS/NZS 5033:2018 Appendix A
- In the case of higher ambient temperature de-rating shall be defined by the curve below
- The operating temperature is -40° C to +60° C at rated current
- Complies with AS/NZS 5033:2018 and AS 60947.3:2018
- E.g. @ 85° C, 0.79 x 32A = 25A (Approx. 6 kW Max.)
- Earthing point accessible internally and externally

## Derating curve



## For non - isolated inverter only

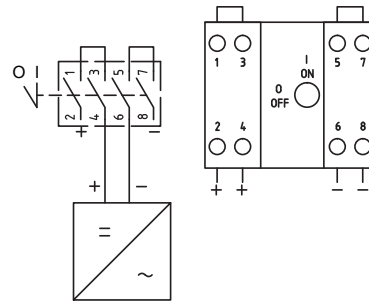
### 2 Pole\*\*

DC-PV2 / DC- 21B (A@400V)	DC-PV2 / DC- 21B (A@500V)	DC-PV2 / DC- 21B (A@600V)	DC-PV2 / DC- 21B (A@800V)	DC-PV2 / DC- 21B (A@1200V)
25A / 32A	25A / 32A	12A / 32A	10A / 25A	10A / 25A

\* IP rating needs to be maintained upon installation.

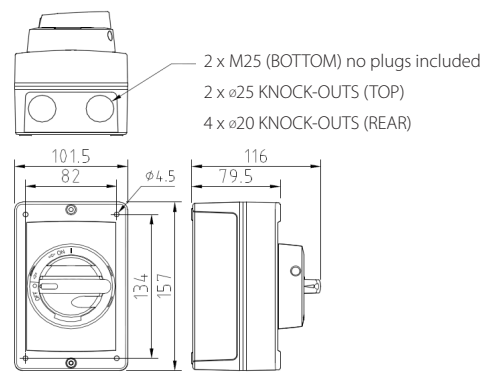
\*\* 2 contacts per pole

## Wiring diagrams



2 Pole\*\* 10A max@1200VDC DC-PV2

## ISO432MPV - Aluminium enclosed



Part Number	Description
ISO432MPV	ISO SOLAR ALUM 32A 1200V DC IP66 NO WATER
DA28406	PRESSURE COMPENSATION DEVICE PLASTIC M12 IP66 (QTY 2)

