

2080LC2020QBB

Allen-Bradley Micro820 Controller 8DI 4Ai Configurable 7DO
Source 1AO Ethernet RS232/485 24VDC



Allen-Bradley

by ROCKWELL AUTOMATION

MICRO CONTROL SYSTEMS



Component type	PLC CPU-module
Range	Micro 800
Model	820
Product status	Existing

Allen-Bradley Micro800 controllers offer both a scalable and robust micro control solution for small to large standalone applications and allow for customisation and flexibility. You can elect from a wide range of plug-in modules to match your requirements and make use of Connected Components Workbench™ software to help reduce machine design time and maximise productivity.

ELECTRICAL

Supply voltage DC	24 V
Voltage type of supply voltage	DC
With optical interface	No
Redundancy	No

COMMUNICATION

Number of HW-interfaces industrial Ethernet	1.0
Can be programmed with Connected Components Workbench	Yes
Can be programmed with Studio 5000 Logix Designer	No
Can be programmed with RSLogix 500	No
Supporting protocol for TCP/IP	Yes
Supporting protocol for PROFIBUS	No
Supporting protocol for CAN	No
Supporting protocol for INTERBUS	No
Supporting protocol for ASI	No
Supporting protocol for KNX	No
Supporting protocol for Modbus	Yes
Supporting protocol for Data-Highway	No
Supporting protocol for DeviceNet	No
Supporting protocol for SUCONET	No
Supporting protocol for LON	No
Supporting protocol for PROFINET IO	No
Supporting protocol for PROFINET CBA	No
Supporting protocol for SERCOS	No
Supporting protocol for Foundation Fieldbus	No
Supporting protocol for EtherNet/IP	Yes

2080LC2020QBB

Allen-Bradley Micro820 Controller 8DI 4Ai Configurable 7DO
Source 1AO Ethernet RS232/485 24VDC



Allen-Bradley

by ROCKWELL AUTOMATION

MICRO CONTROL SYSTEMS

COMMUNICATION

Supporting protocol for AS-Interface Safety at Work	No
Supporting protocol for DeviceNet Safety	No
Supporting protocol for INTERBUS-Safety	No
Supporting protocol for PROFI-safe	No
Supporting protocol for SafetyBUS p	No
Supporting protocol for other bus systems	Yes
IO link master	No

CONSTRUCTION

Number of relay outputs	0.0
Number of analogue outputs	1.0
Number of analogue inputs	4.0
Number of digital inputs	12.0
Number of digital outputs	8.0
Memory size	20.0 kByte
Additional program memory possible	No
Suitable for safety functions	No
Model	Modular
System accessory	No
With display	No
Rail mounting possible	Yes
Wall mounting/direct mounting	Yes
Front built-in possible	Yes
Rack-assembly possible	Yes

DIMENSIONS

Width	104.0 mm
Height	90.0 mm
Depth	75.0 mm

2080LC2020QBB

Allen-Bradley Micro820 Controller 8DI 4Ai Configurable 7DO
Source 1AO Ethernet RS232/485 24VDC

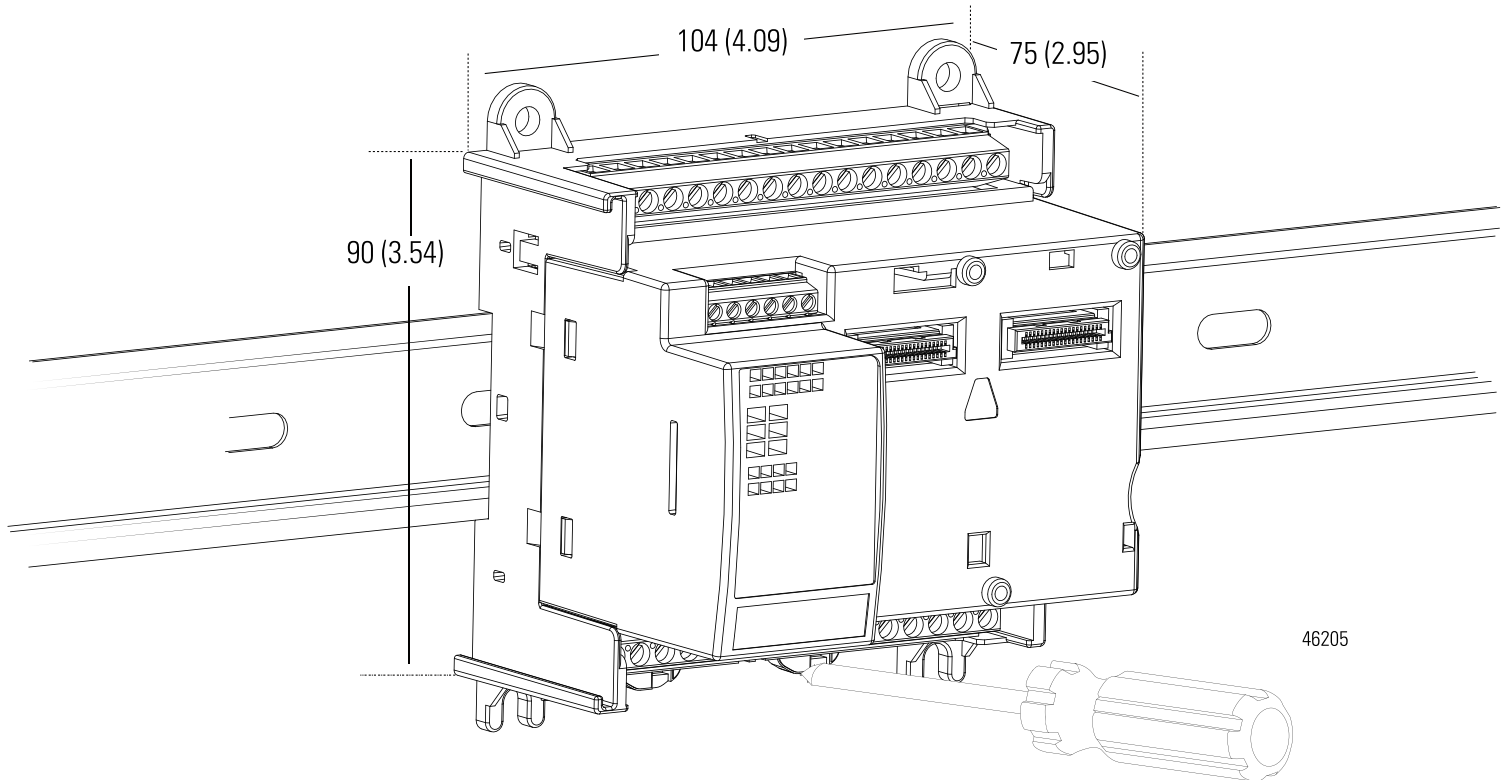


Allen-Bradley

by ROCKWELL AUTOMATION

MICRO CONTROL SYSTEMS

DIMENSIONAL DIAGRAM



Measurements in millimeters (inches)