

2080LC2020QBBR

Allen-Bradley Micro820 Controller 8DI 4Ai Configurable 7DO
Source 1AO Ethernet RS232/485 RTB 24VDC



Allen-Bradley

by ROCKWELL AUTOMATION

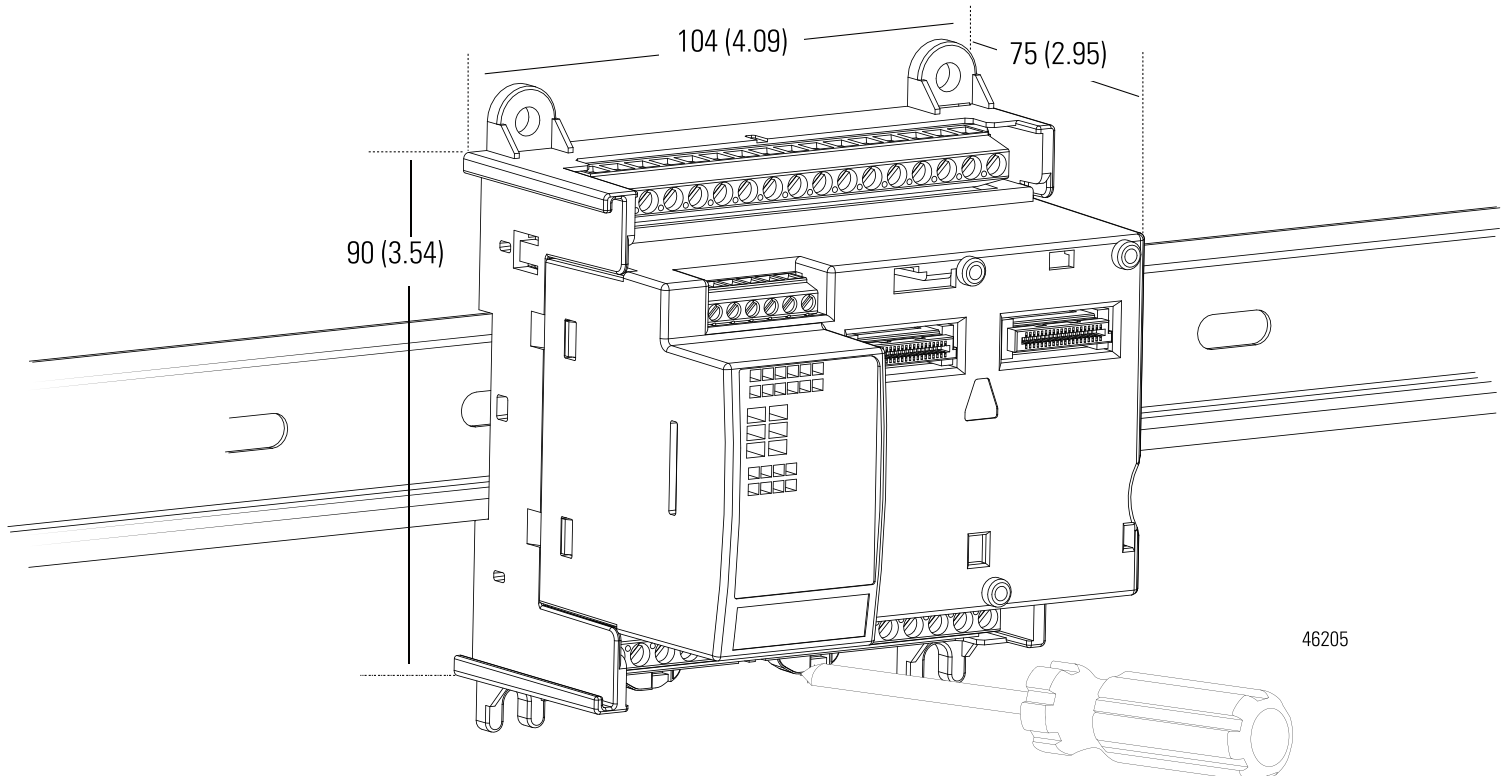
MICRO CONTROL SYSTEMS



Component type	PLC device set
Range	Micro 800
Model	820
Product status	Existing

Allen-Bradley Micro800 controllers offer both a scalable and robust micro control solution for small to large standalone applications and allow for customisation and flexibility. You can elect from a wide range of plug-in modules to match your requirements and make use of Connected Components Workbench™ software to help reduce machine design time and maximise productivity.

DIMENSIONAL DIAGRAM



Measurements in millimeters (inches)