

ISO3100PYS

Socomec ISO Enclosed Isolator, IP 65 Plastic Yellow, Handle - Red, 3P 100A



Component type	Switch disconnector
Range	ISO
Model	N/A
Product status	Existing

The Socomec ISO enclosed isolators deliver IP65, wall mountable, switching solutions ensuring coverage for any application. With a choice of plastic, aluminium and 316 stainless steel enclosures ranging from 25A to 250A, the range suits all environments. All handles allow for up to 3 padlocks in the OFF position and enclosure interlocking when in the ON position.

ELECTRICAL

Rated permanent current I_u	100.0 A
Number of poles	3.0
Frequency	50/60 Hz
Rated operation current I_e at AC-23, 690 V	34.0 A
Rated short-time withstand current I_{cw}	4.0 kA
Rated insulation voltage U_i	690.0 V
Rated impulse withstand voltage U_{imp}	6.0 kV

CONSTRUCTION

Material housing	Plastic
Colour control element	Red
Degree of protection (IP), front side	IP65

MECHANICAL

Padlock locking	Yes
Connectable conductor cross section	4 - 35 mm ²

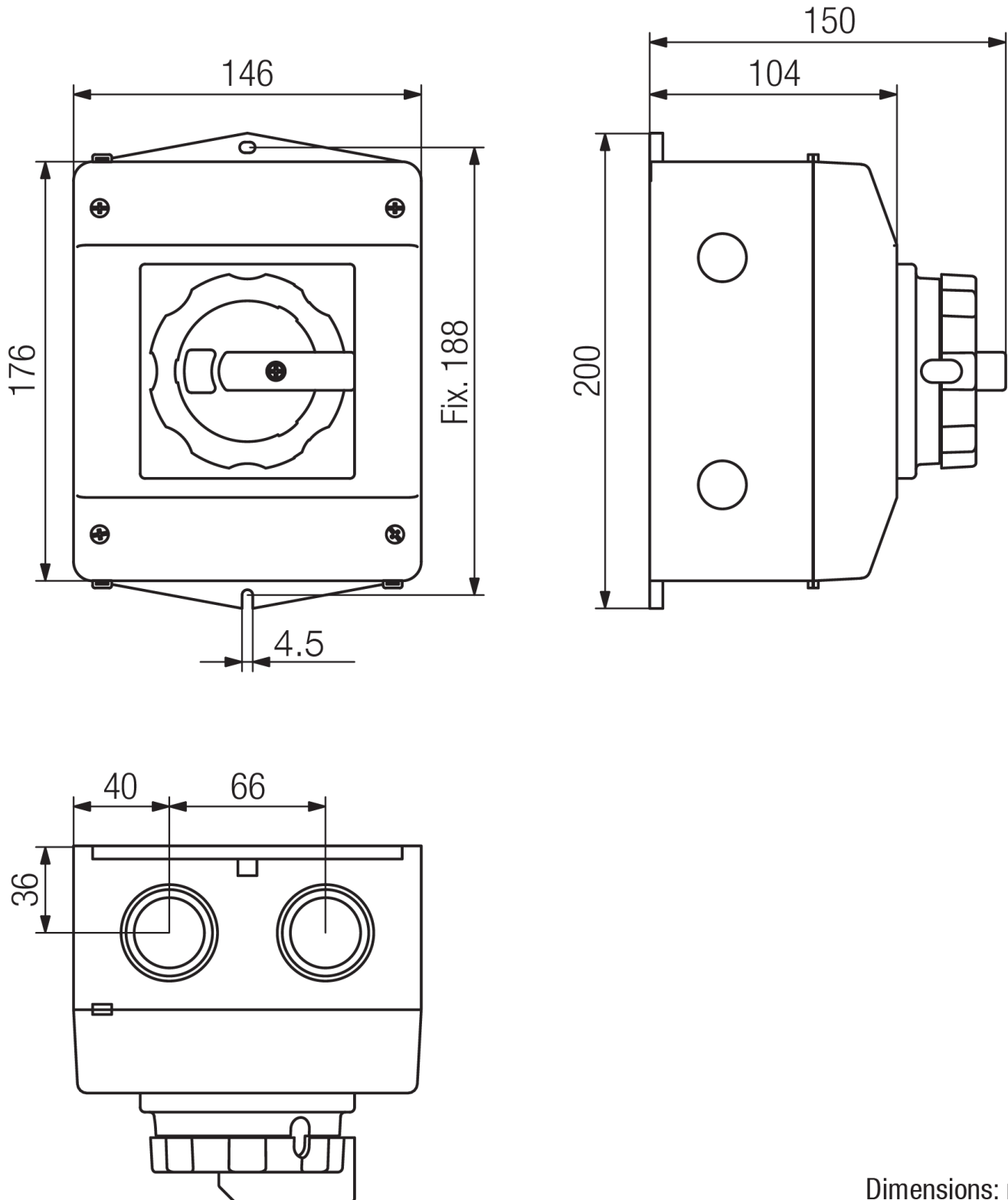
DIMENSIONS

Width	146.0 mm
Weight	0.77 kg
Depth	104.0 mm
Height	176.0 mm

ISO3100PYS

Socomec ISO Enclosed Isolator, IP 65 Plastic Yellow, Handle - Red, 3P 100A

DIMENSIONAL DIAGRAM



Dimensions: mm

ISO3100PYS

Socomec ISO Enclosed Isolator, IP 65 Plastic Yellow, Handle - Red, 3P 100A



RELATED PRODUCTS

ACCESSORY



Item No: 21NH0302

Required: No

Description: Socomec ISO EMC Kit, suits Plastic Enclosure 40A Large - 100A